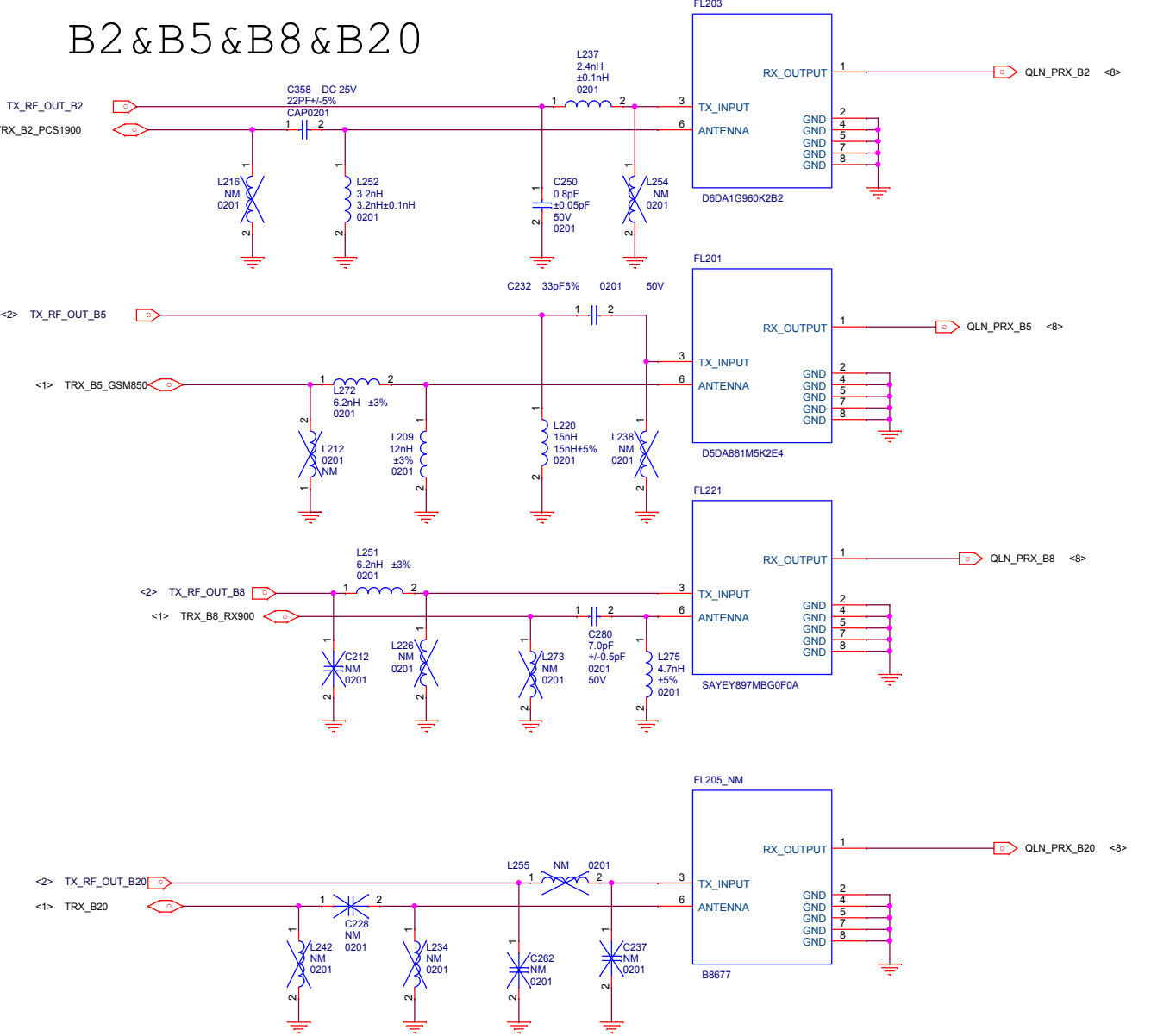
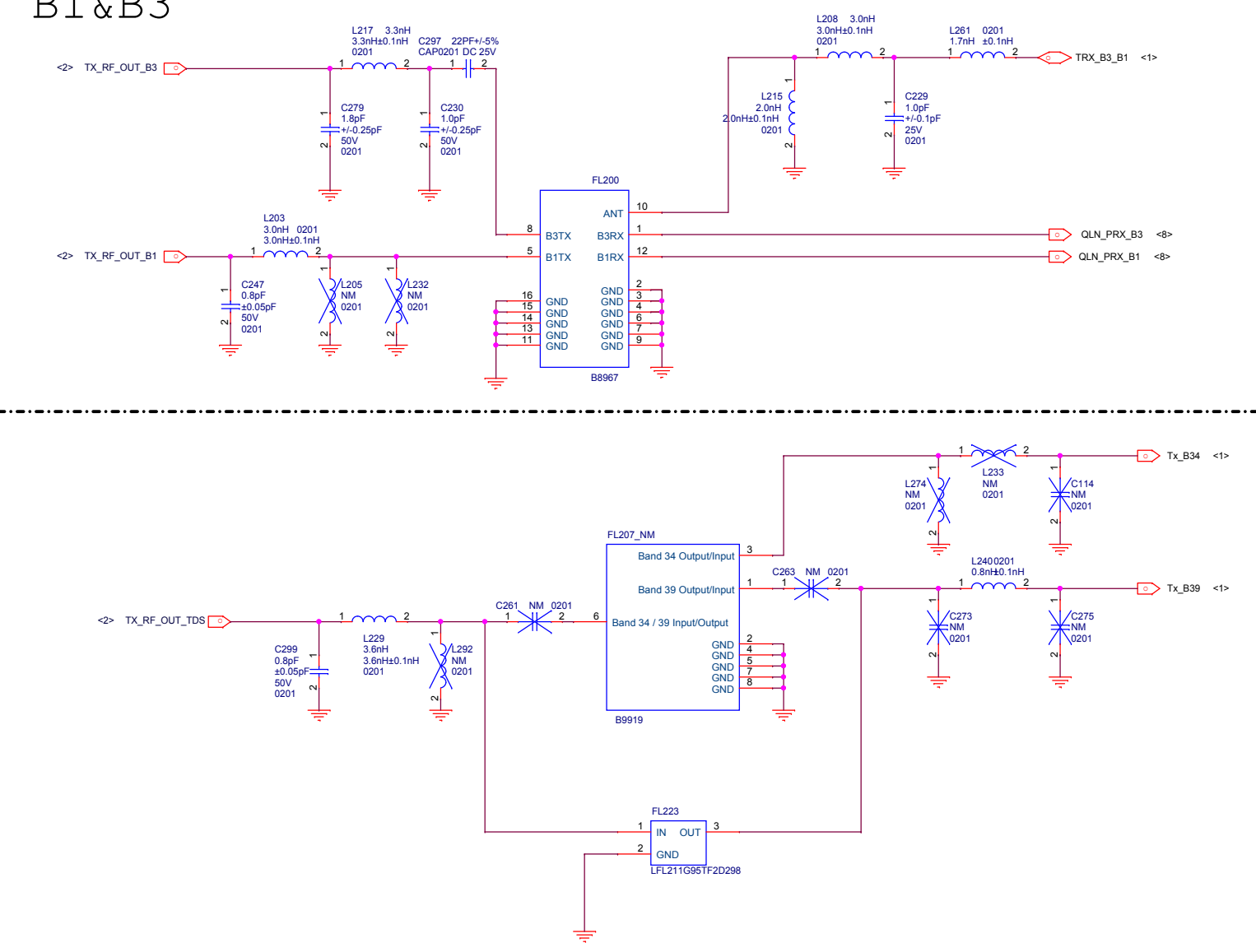
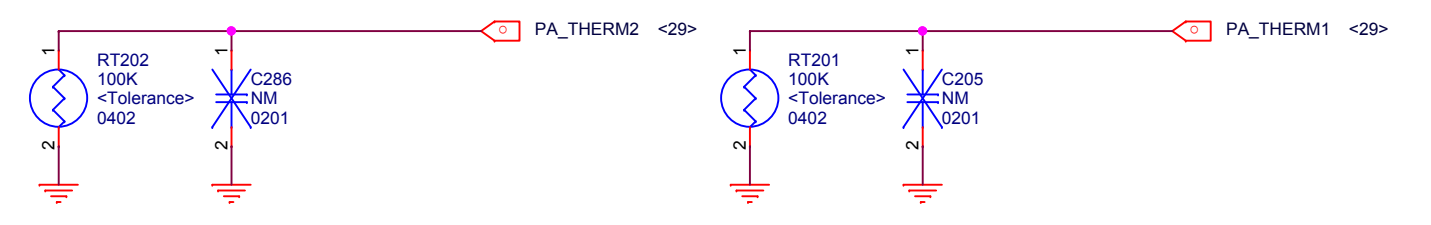
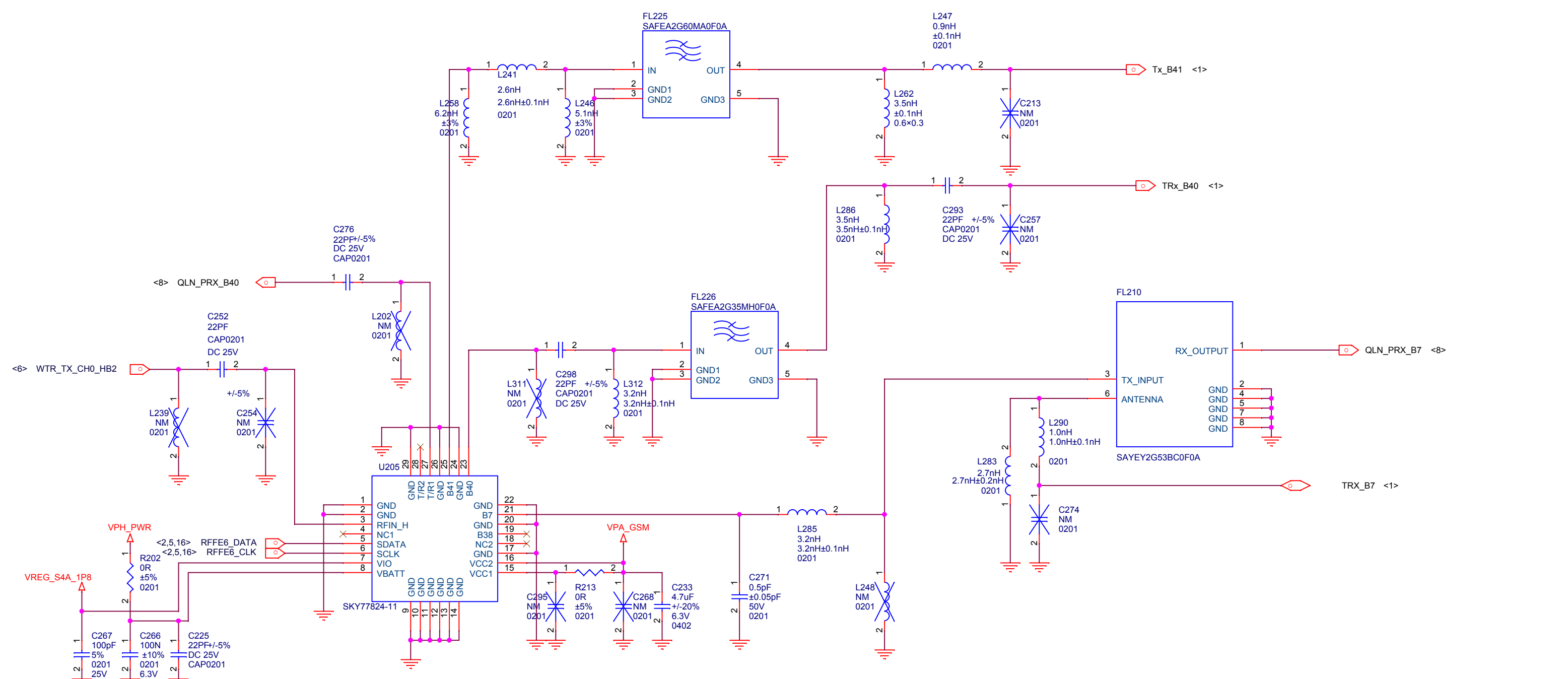


B2&B5&B8&B20



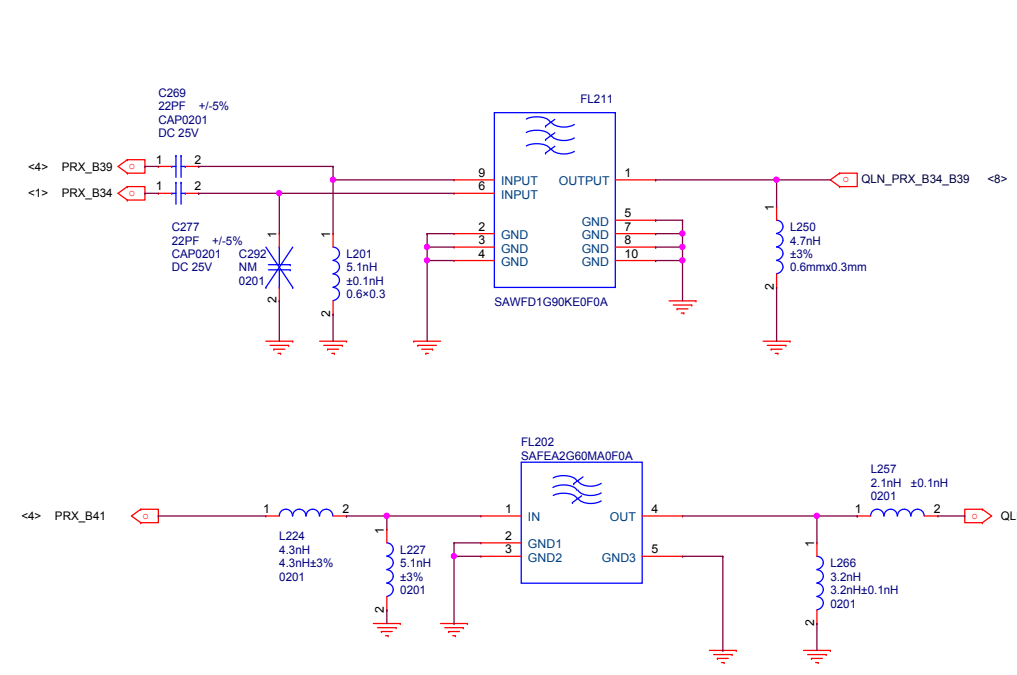
B1&B3



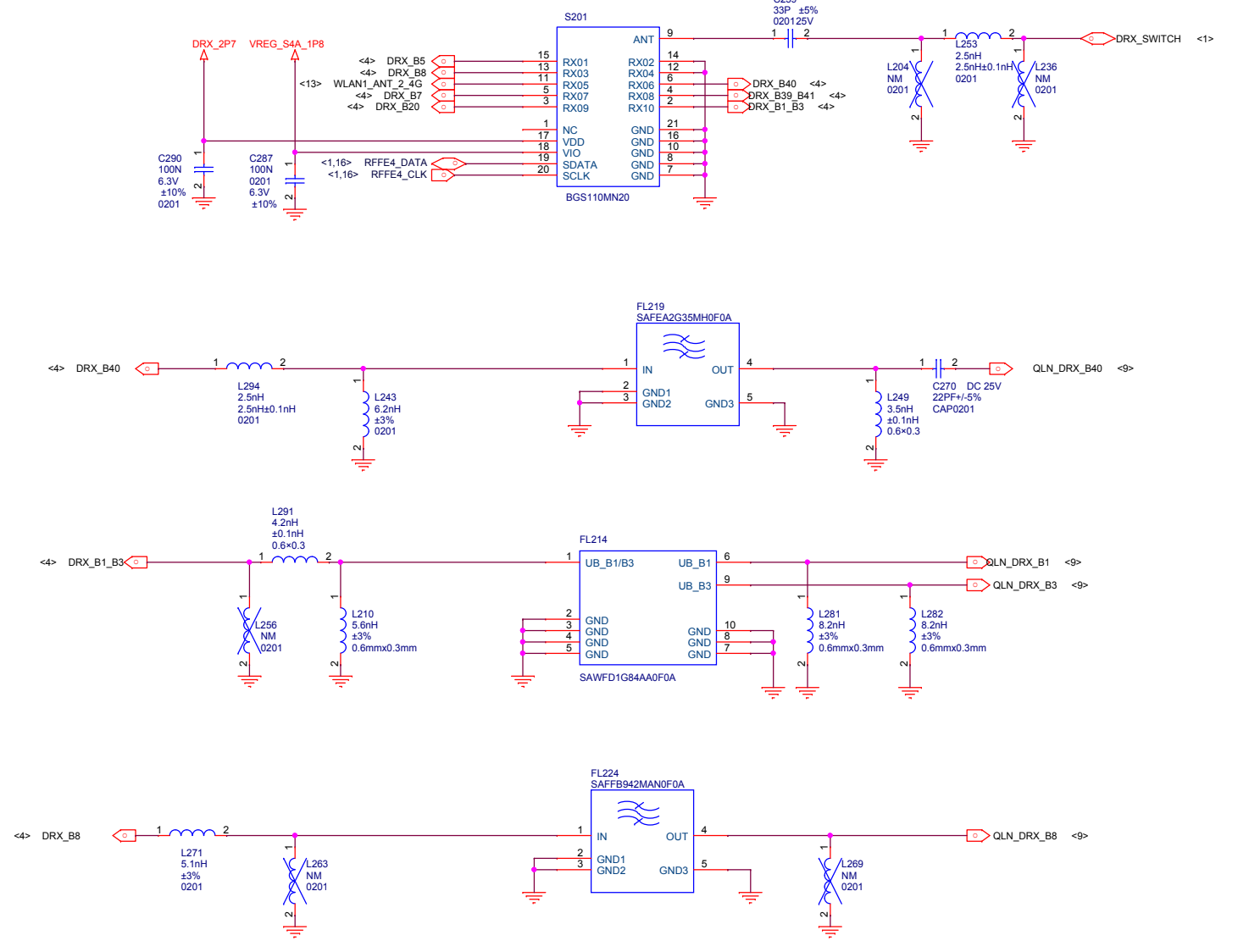


Title		
C1		
Size	Document Number	Rev
A3	BAND7&39&40&41	P0
Date:	Monday, January 16, 2017	Sheet 3 of 42

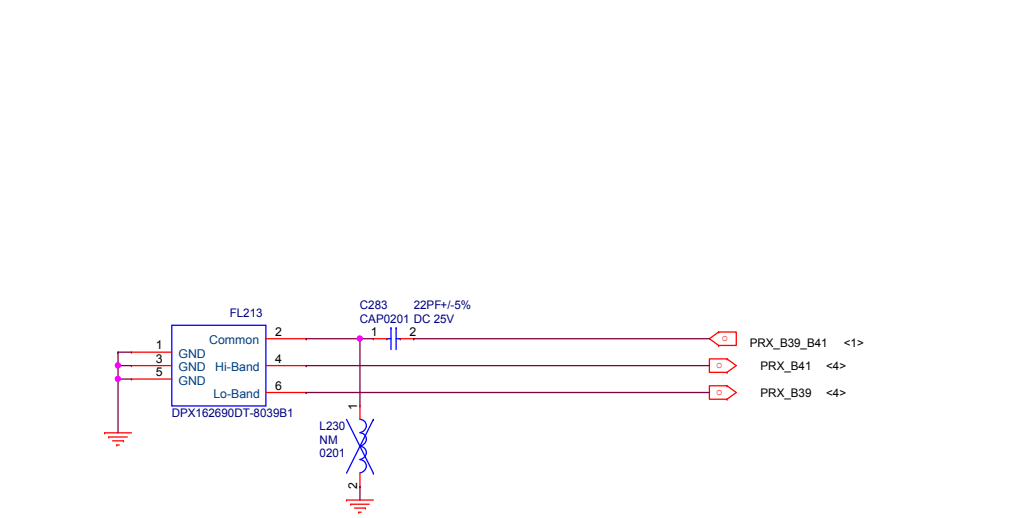
PRX B34 B39 B41



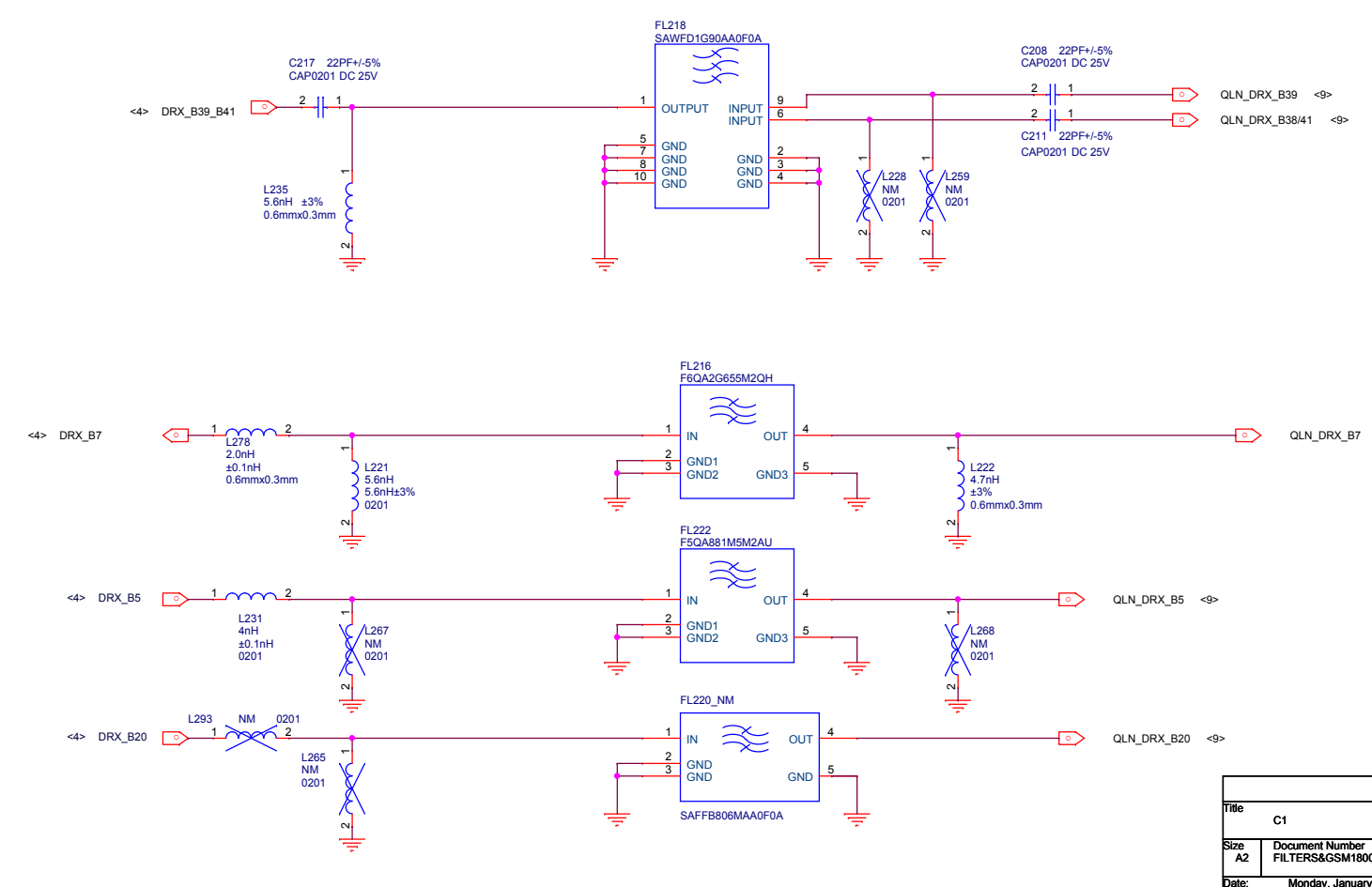
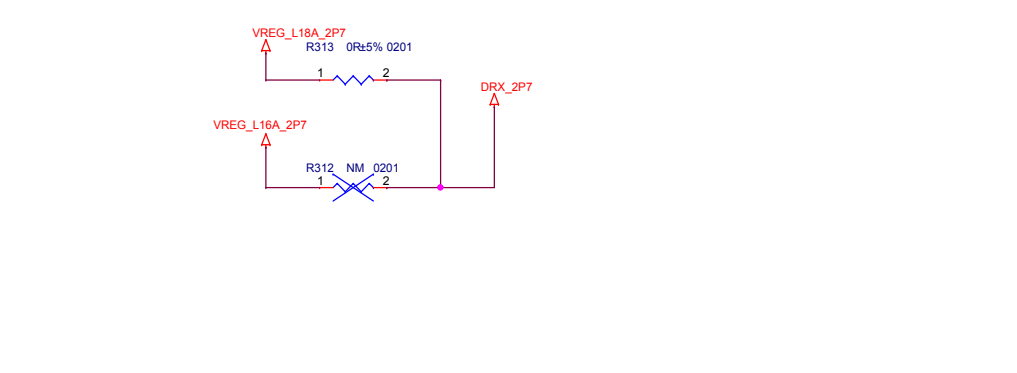
DRX



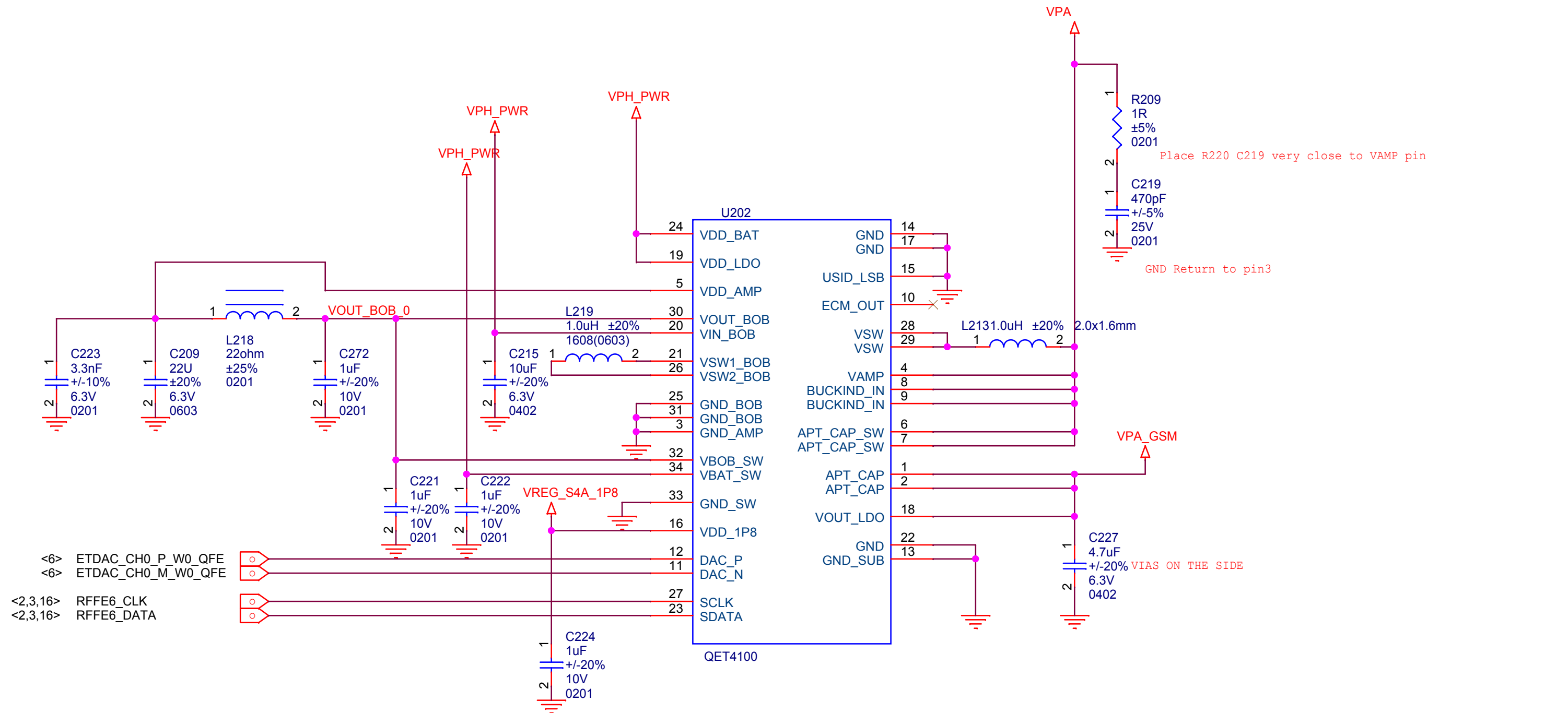
DIPLEXER B39 B41



DRX_POWER



Title		
C1		
Size	Document Number	Rev
A2	FILTERS&GSM1800&DRX_B	P0
Date:	Monday, January 16, 2017	Sheet 4 of 42

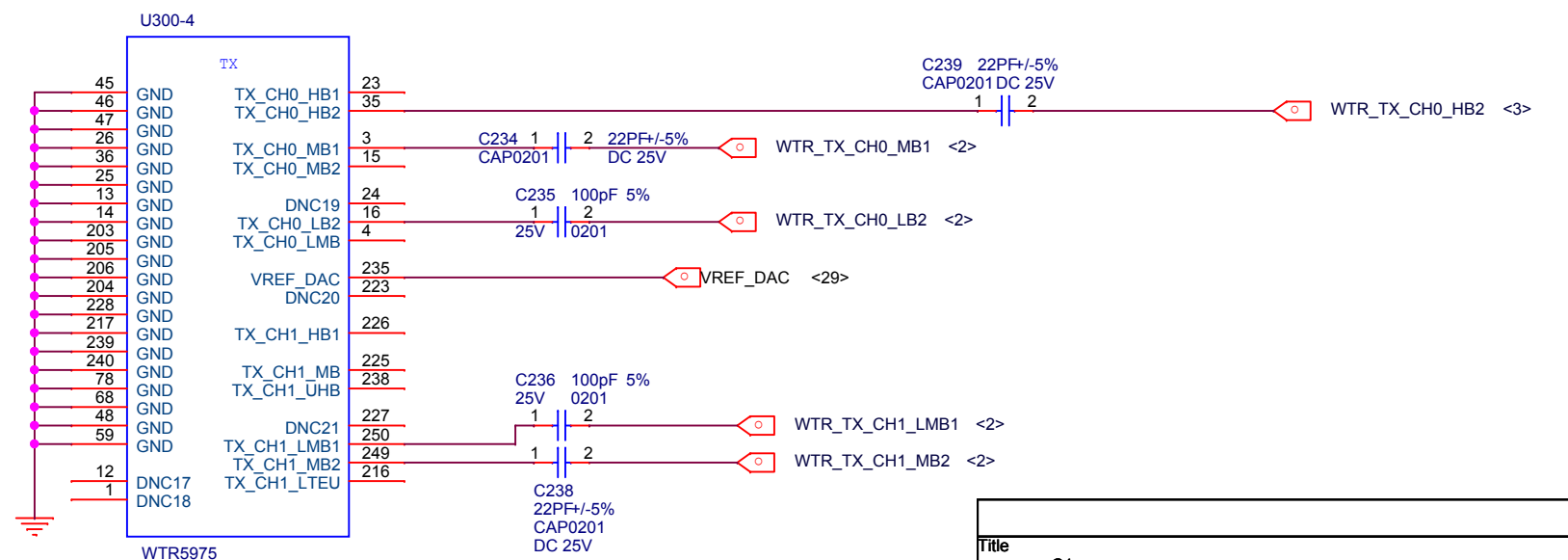
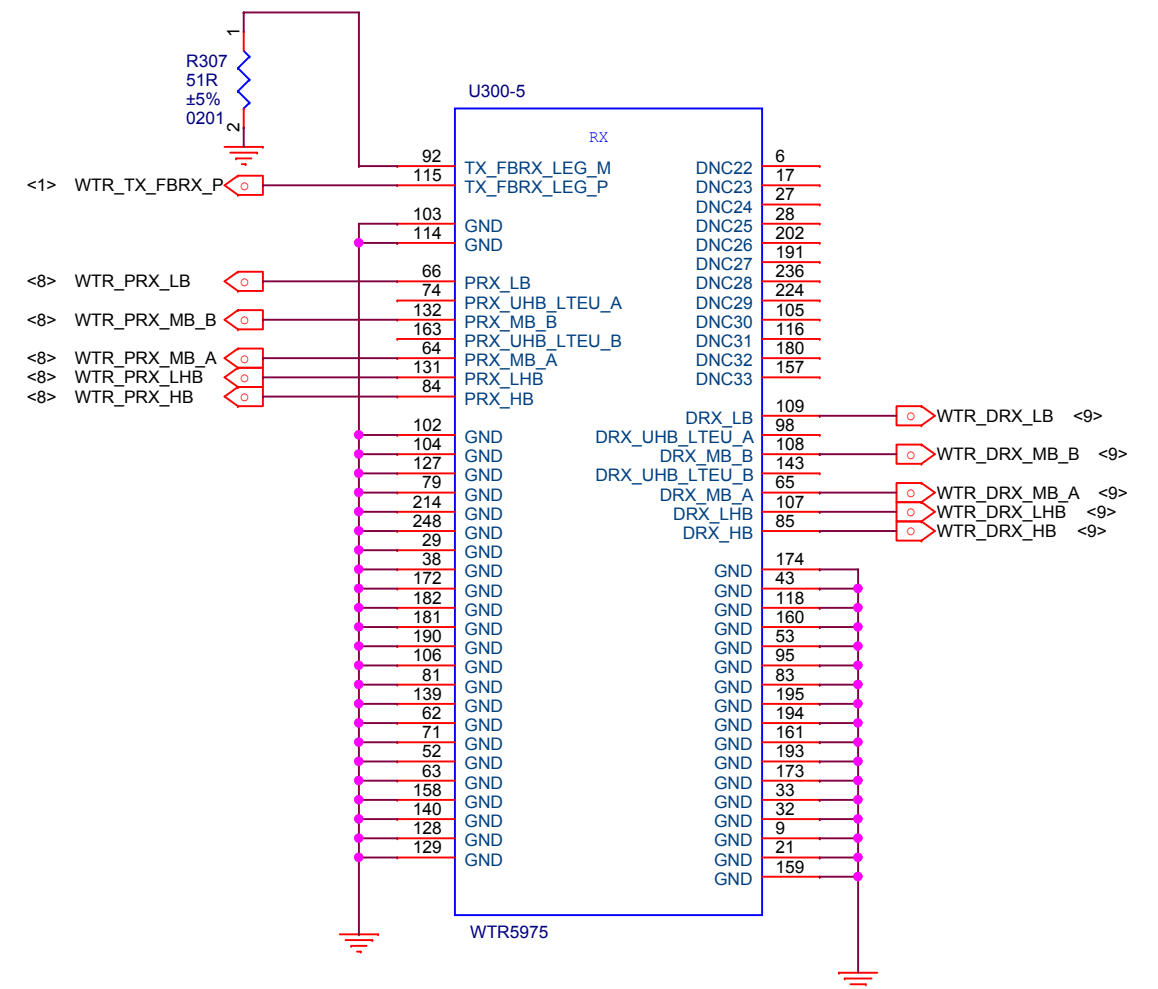
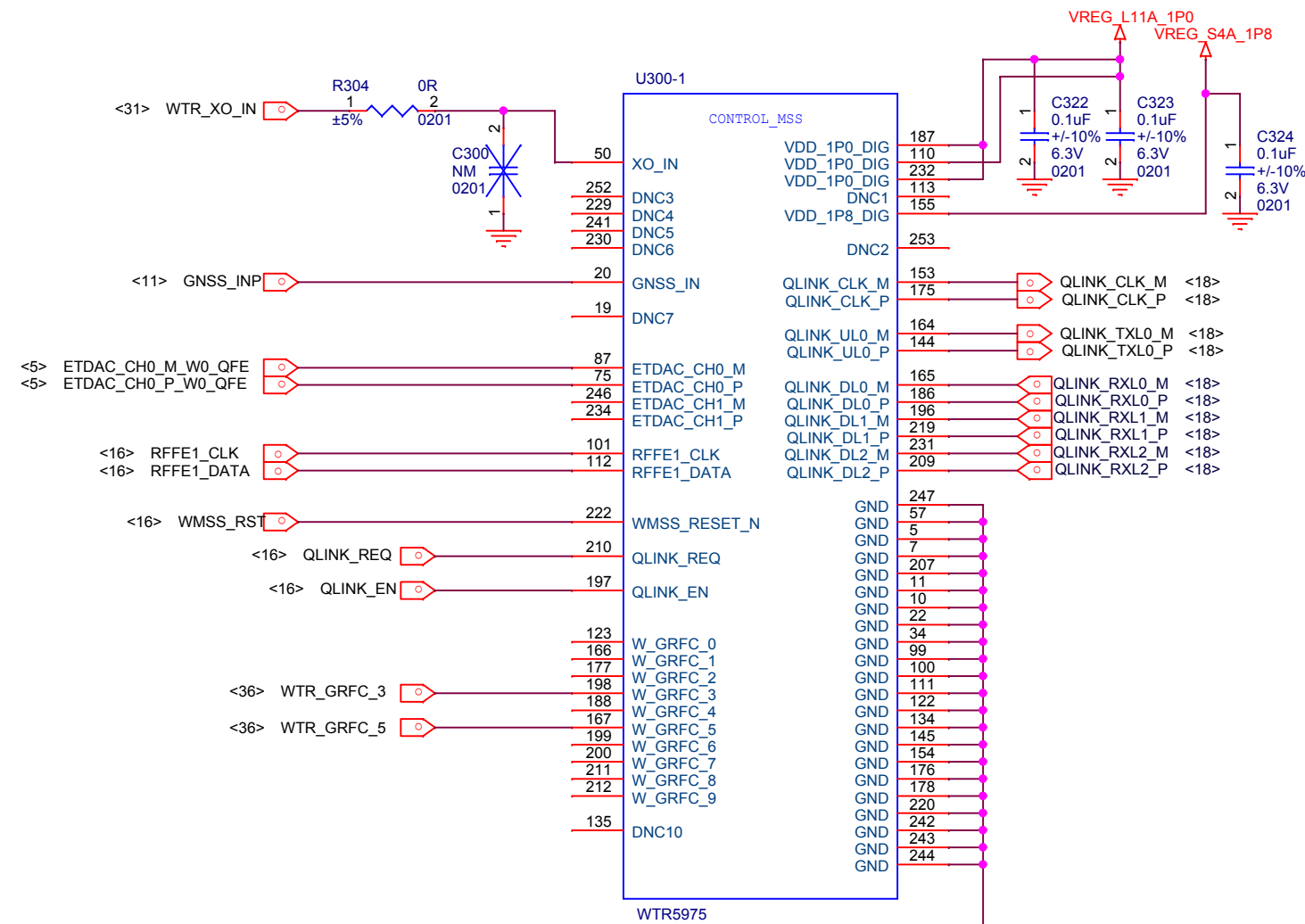


<6> ETDAC_CH0_P_W0_QFE
 <6> ETDAC_CH0_M_W0_QFE
 <2,3,16> RFFE6_CLK
 <2,3,16> RFFE6_DATA

VPA GSM
 C227
 4.7uF
 +/-20% VIAS ON THE SIDE
 6.3V
 0402

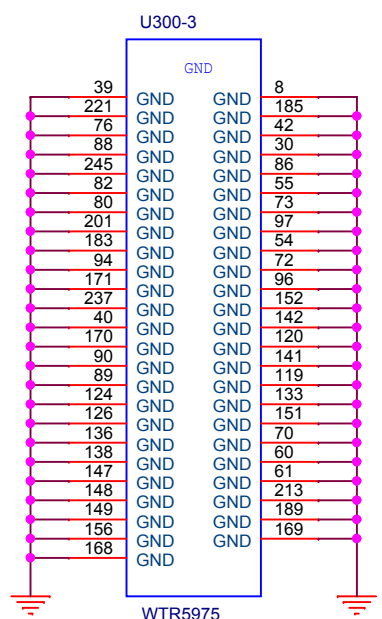
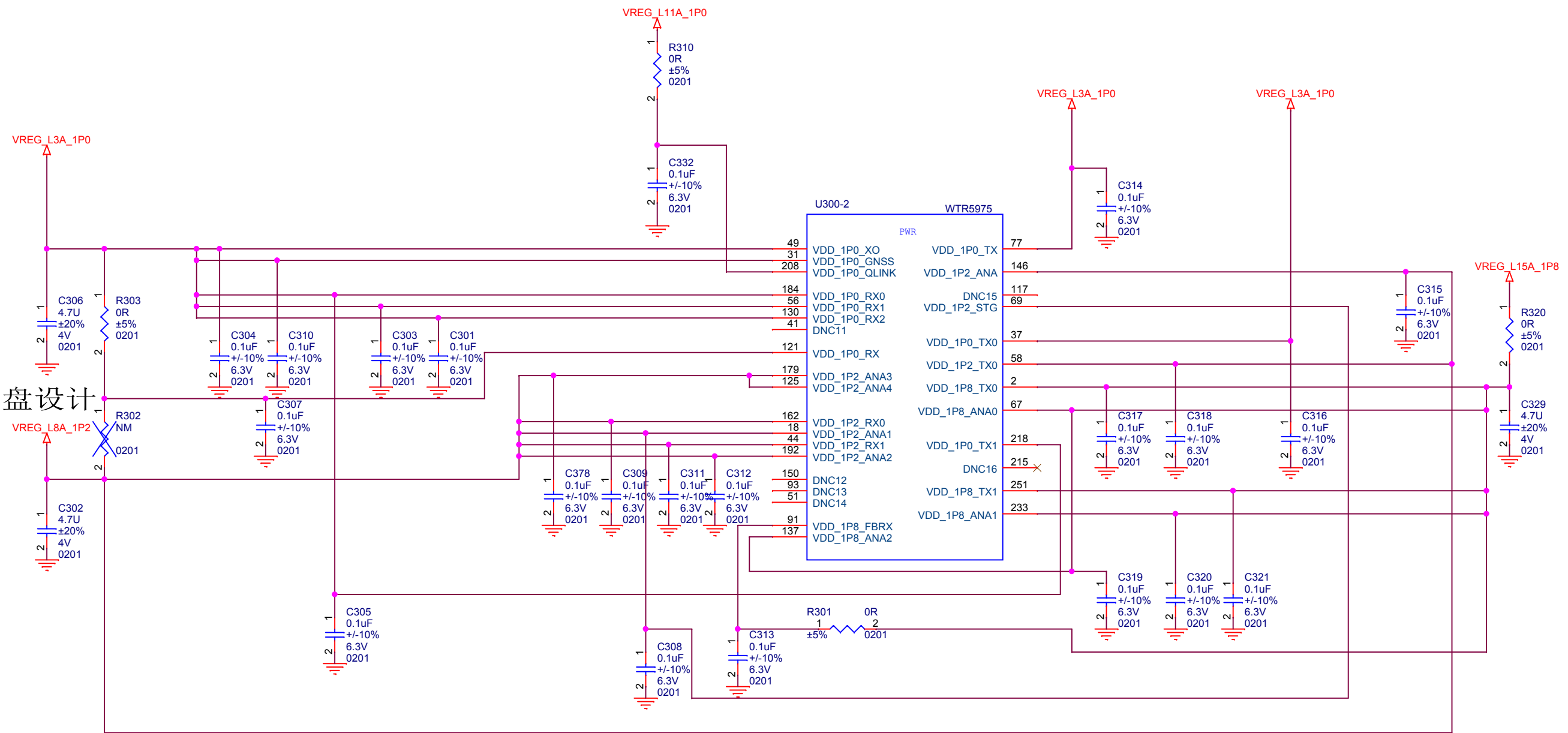
R209
 1R
 +/-5%
 0201
 Place R220 C219 very close to VAMP pin
 C219
 470pF
 +/-5%
 25V
 0201
 GND Return to pin3

Title		
C1		
Size	Document Number	Rev
A4	QFE4100	P0
Date:	Monday, January 16, 2017	Sheet 5 of 42

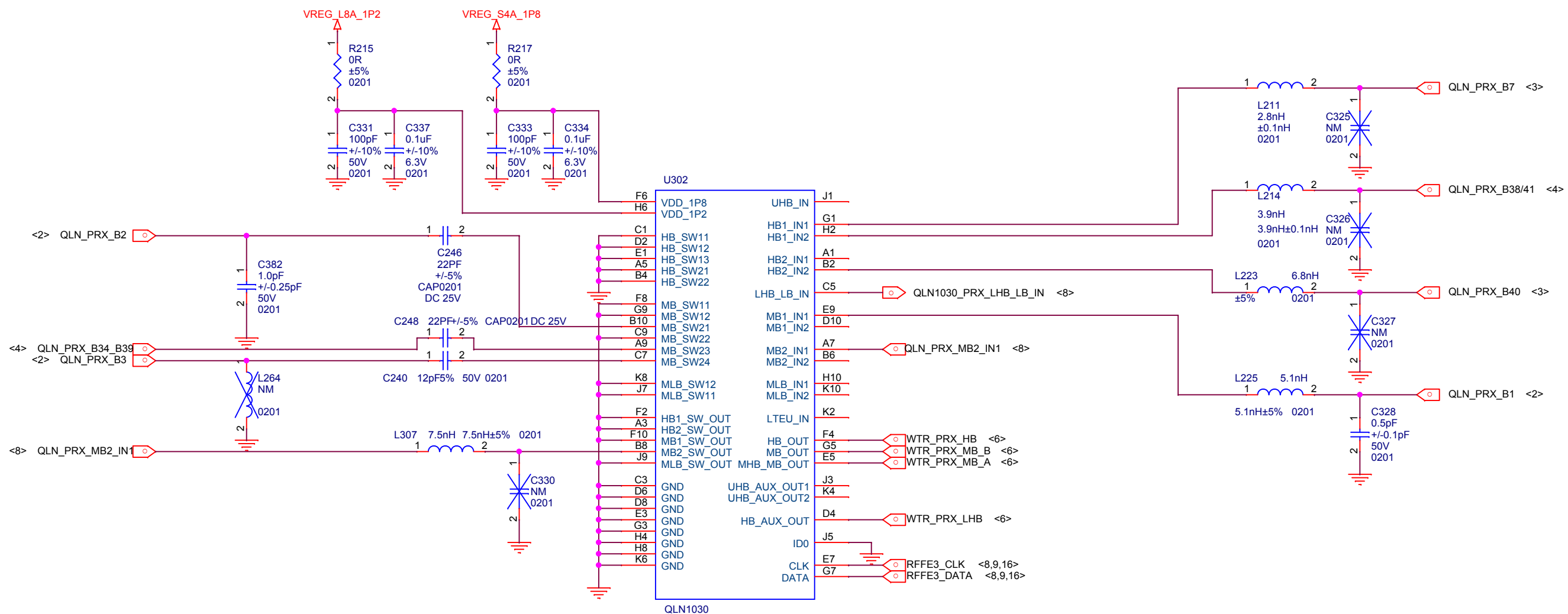
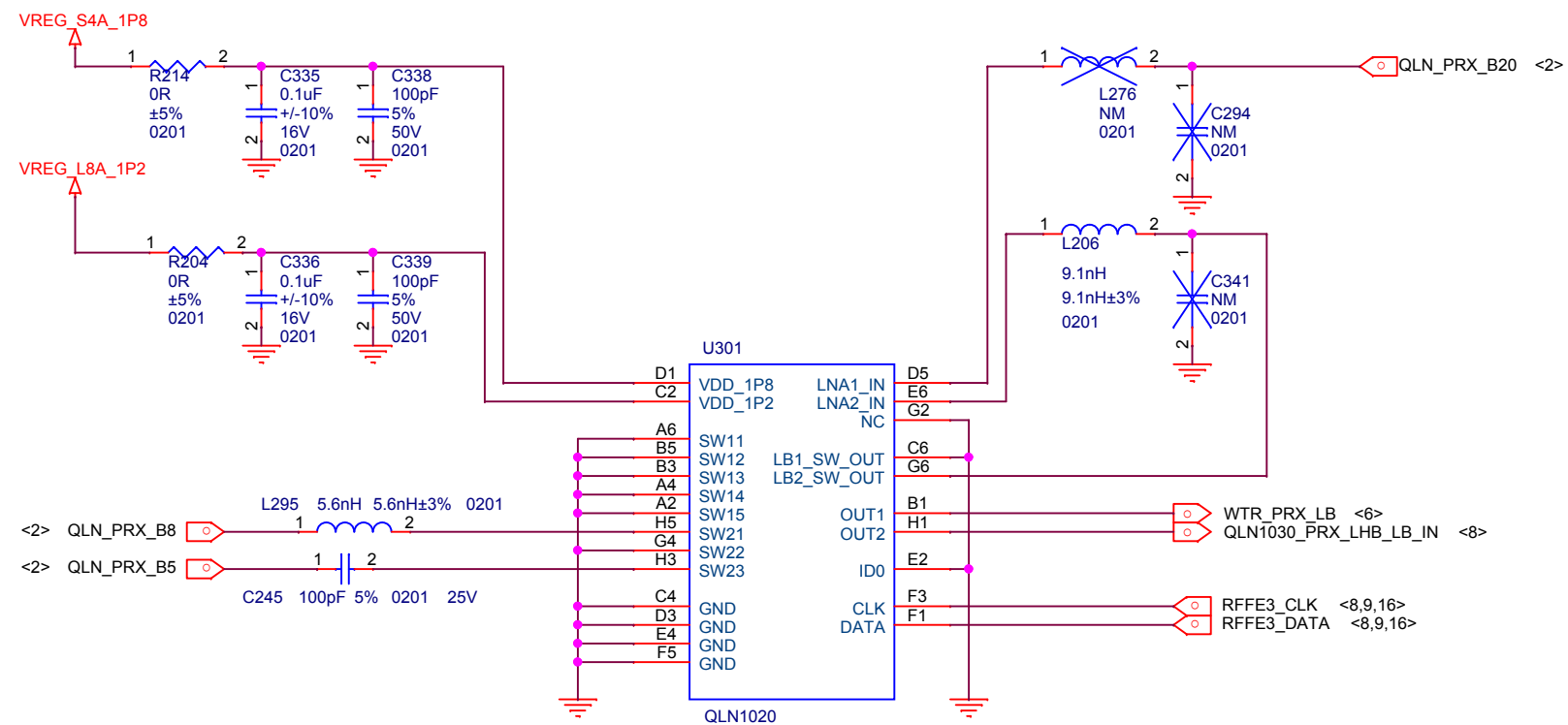


Title		
C1		
Size	Document Number	Rev
A3	WTR5975 MSS	P0
Date:	Monday, January 16, 2017	Sheet 6 of 42

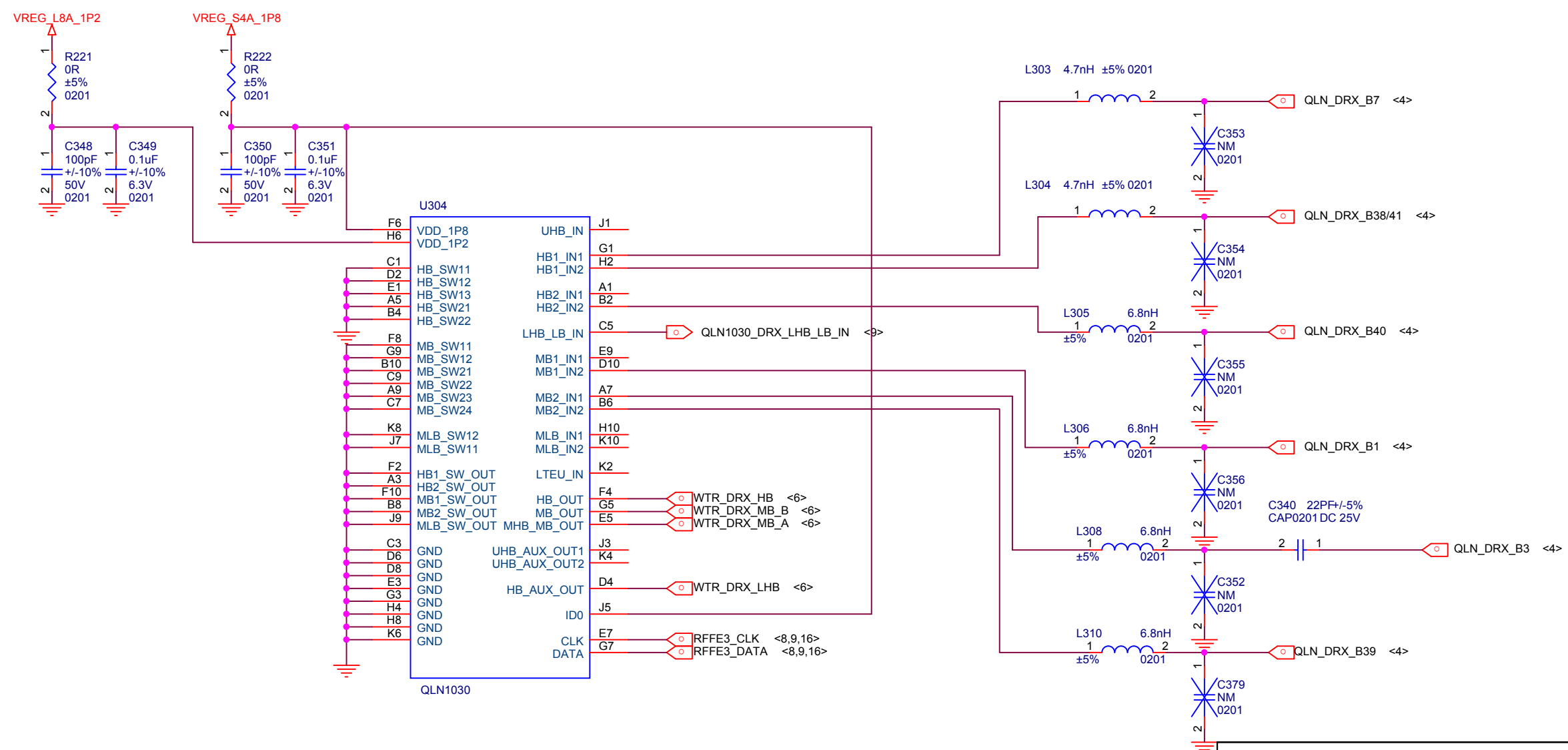
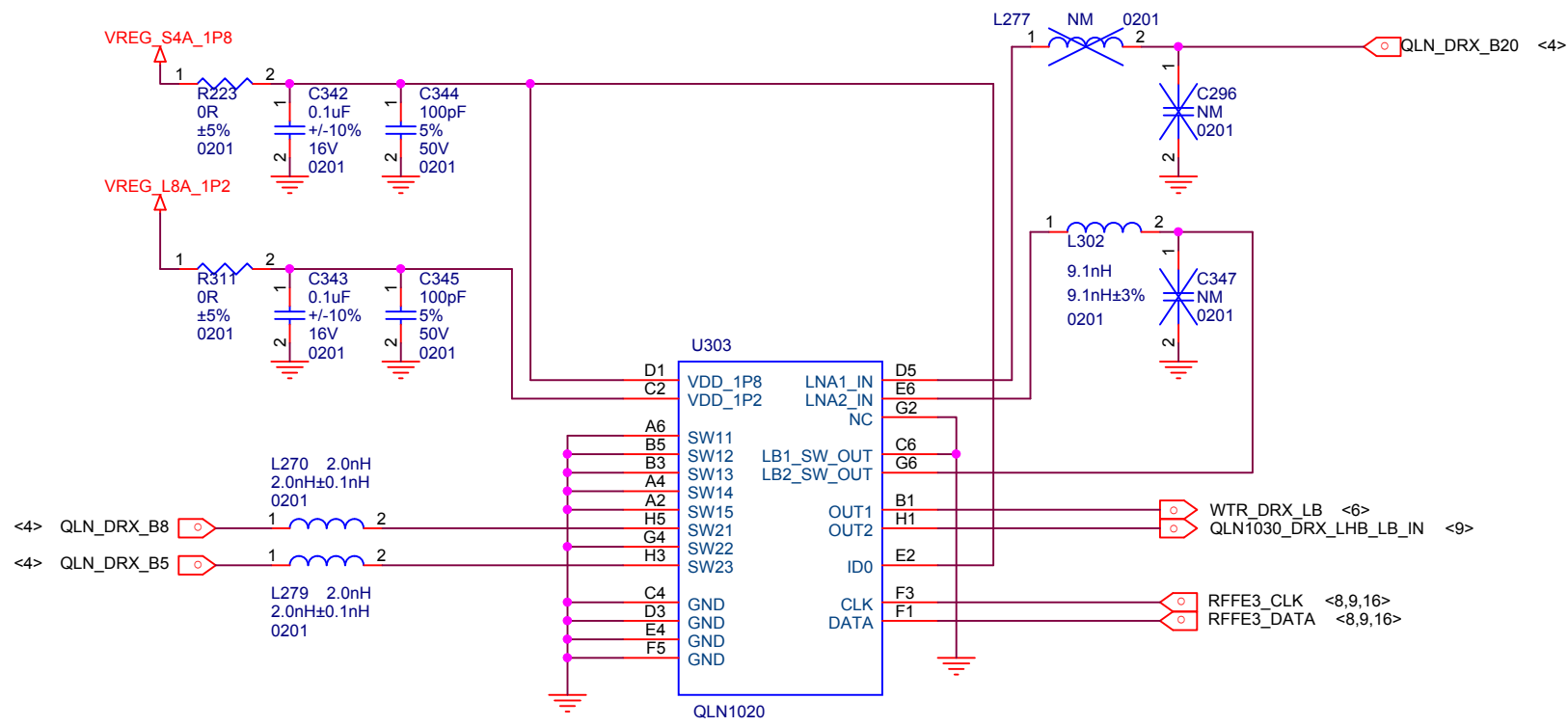
此处共焊盘设计



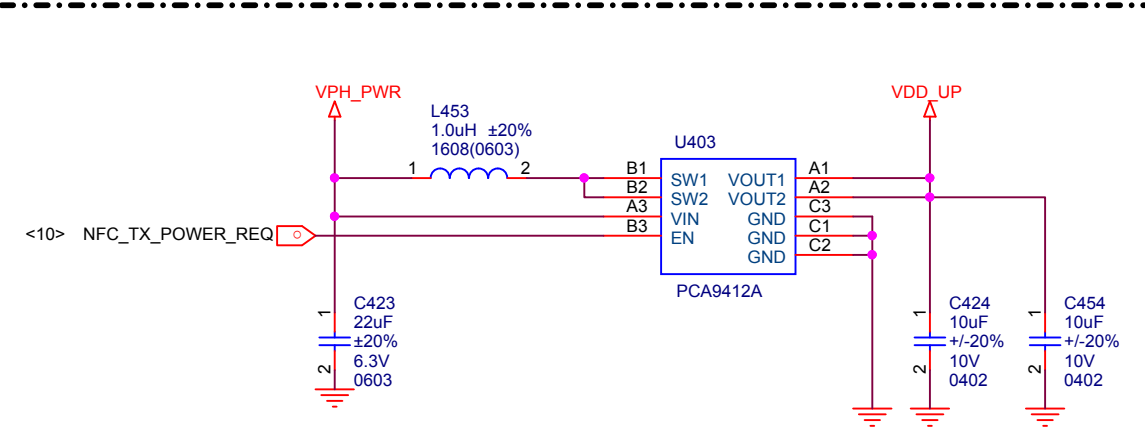
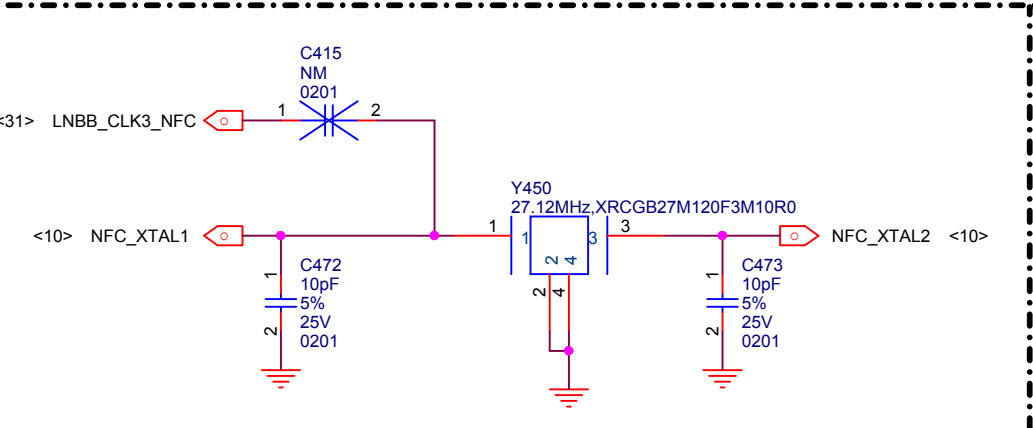
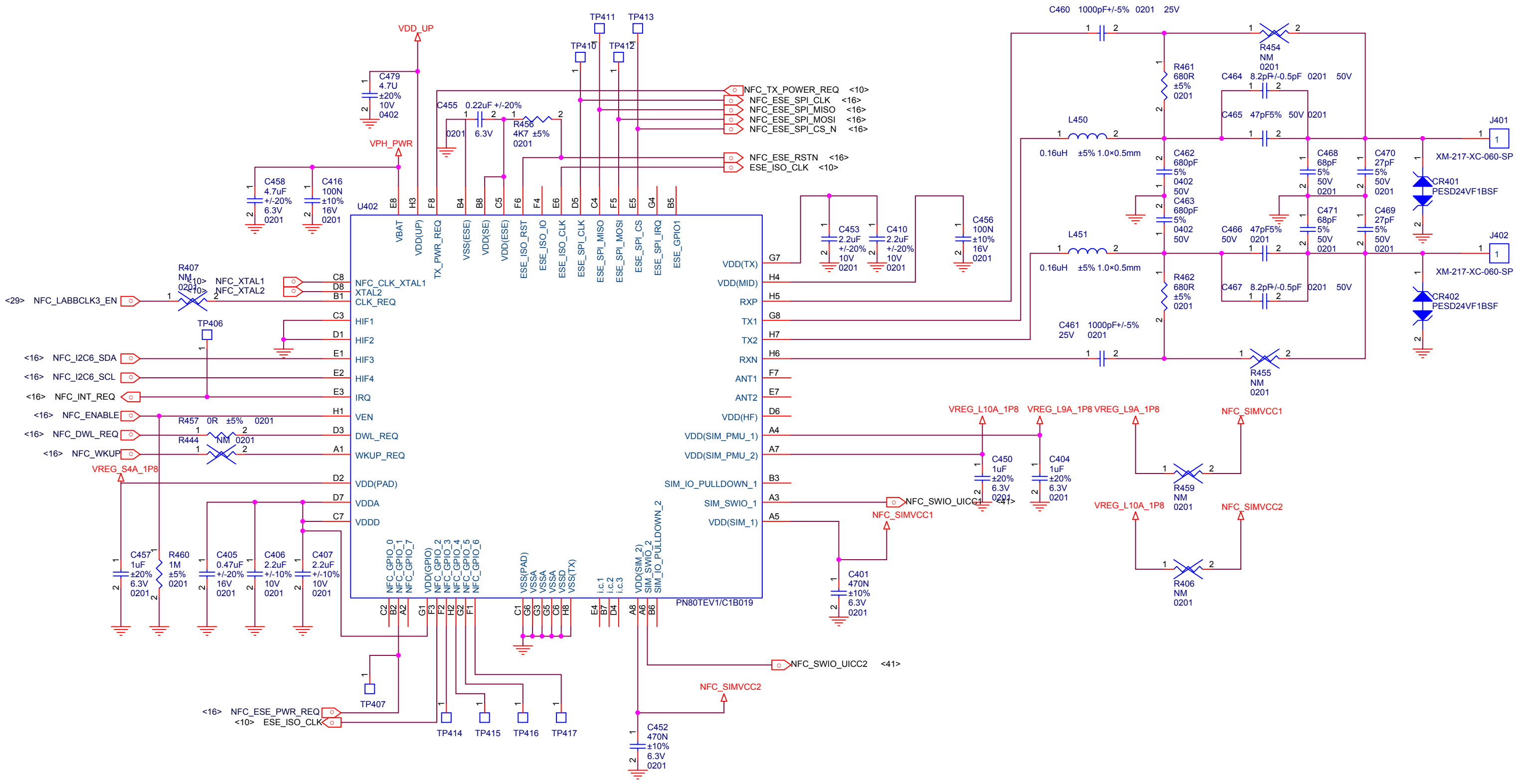
Title		C1
Size	Document Number	Rev
A3	WTR5975 POWER	P0
Date:	Monday, January 16, 2017	Sheet 7 of 42



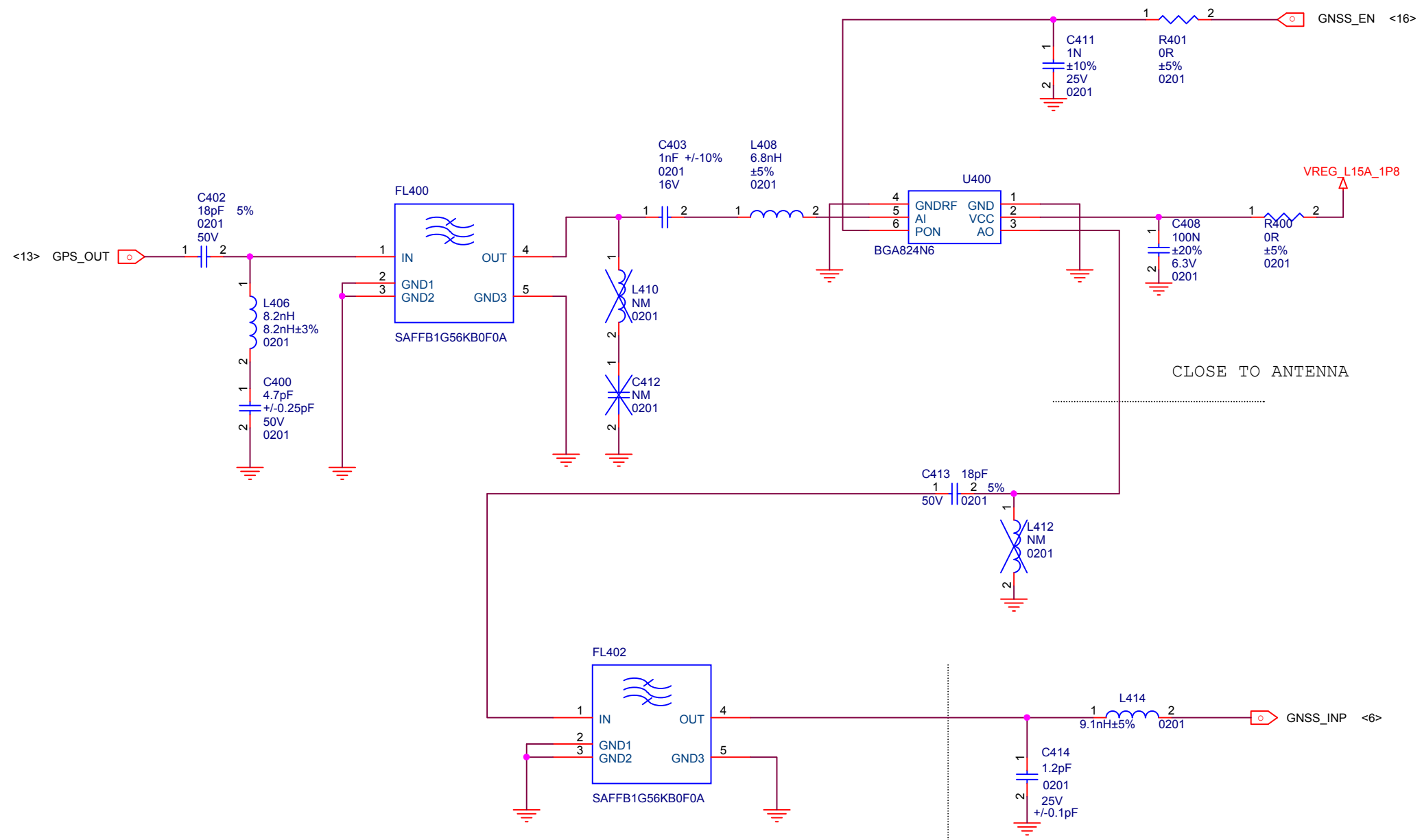
Title		C1
Size	Document Number	Rev
A3	QLN PRX	P0
Date:	Monday, February 06, 2017	Sheet 8 of 42



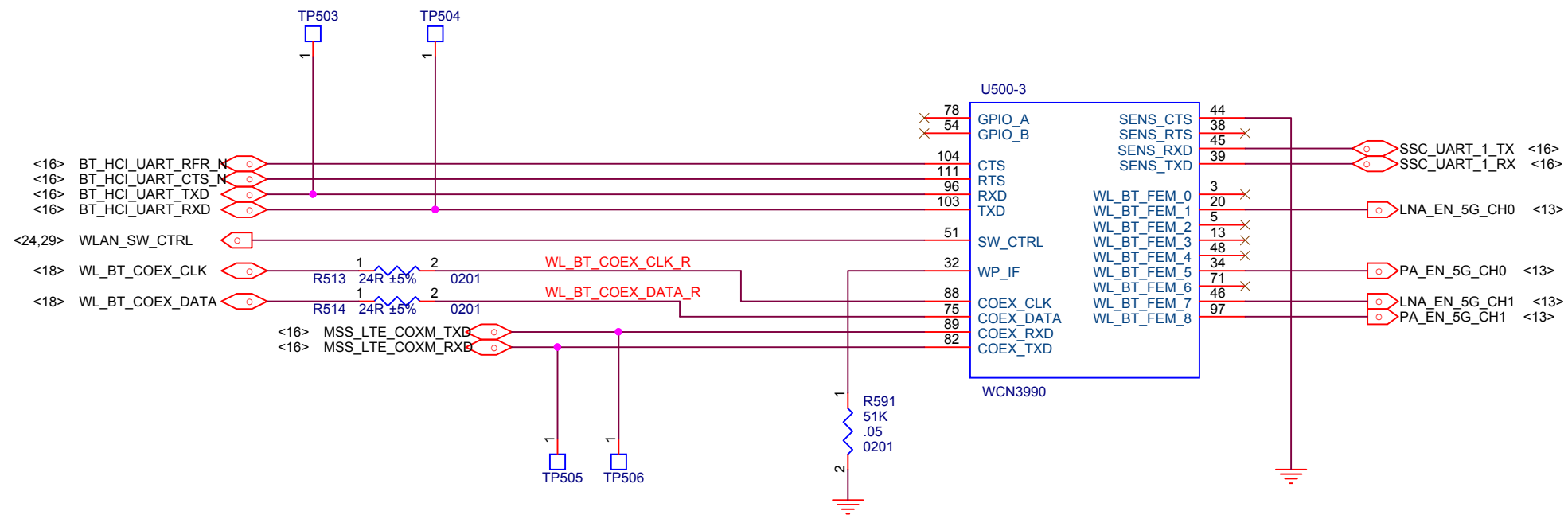
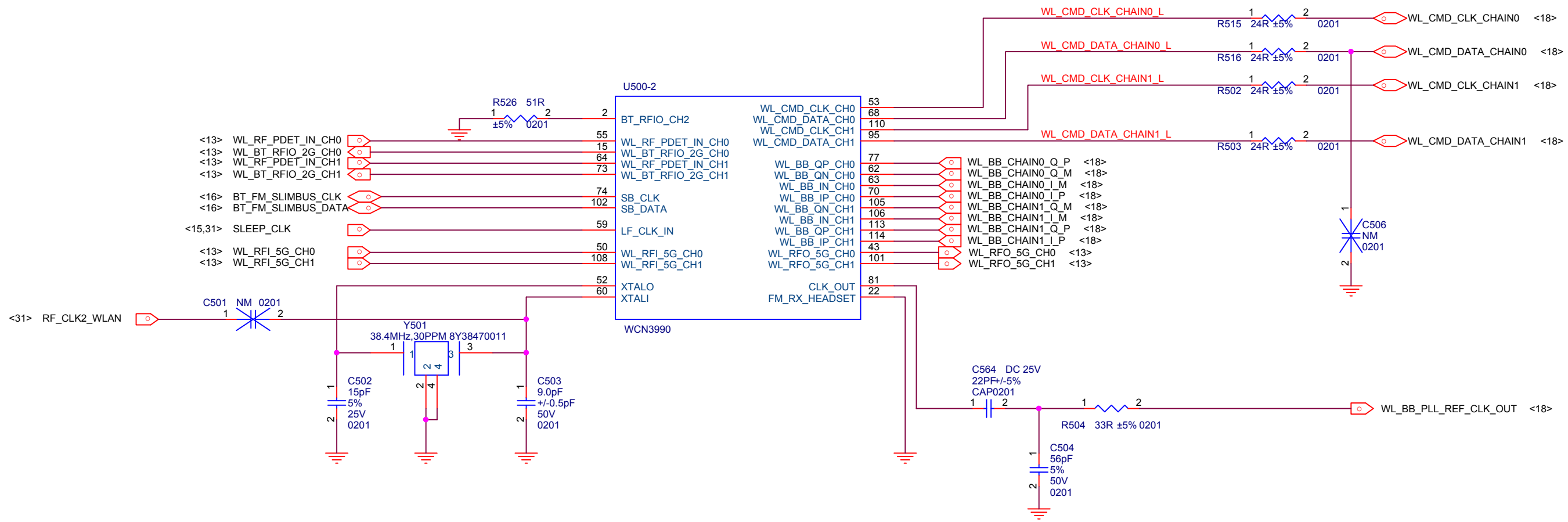
Title		
C1		
Size	Document Number	Rev
A3	QLN DRX	P0
Date:	Monday, January 16, 2017	Sheet 9 of 42

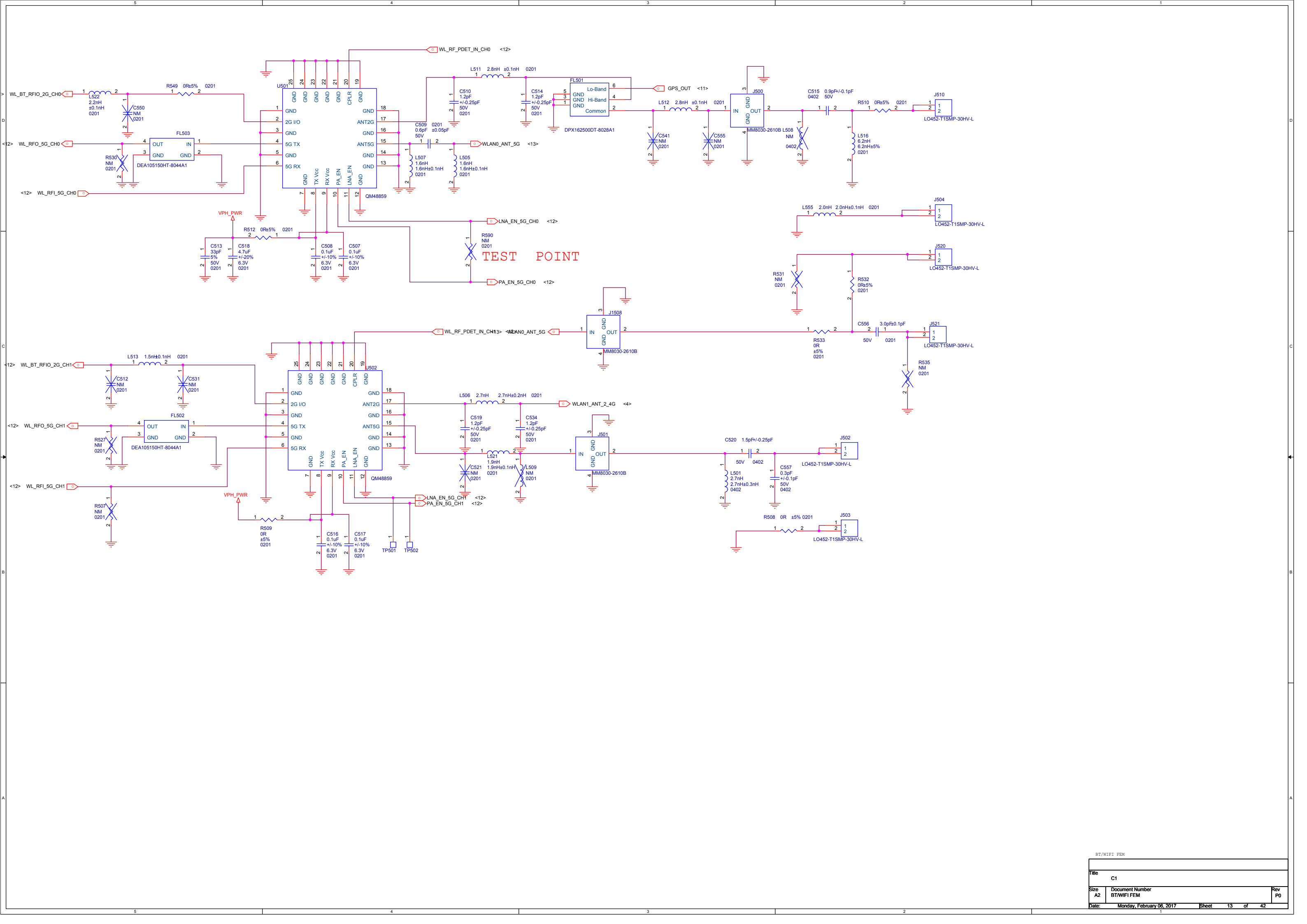


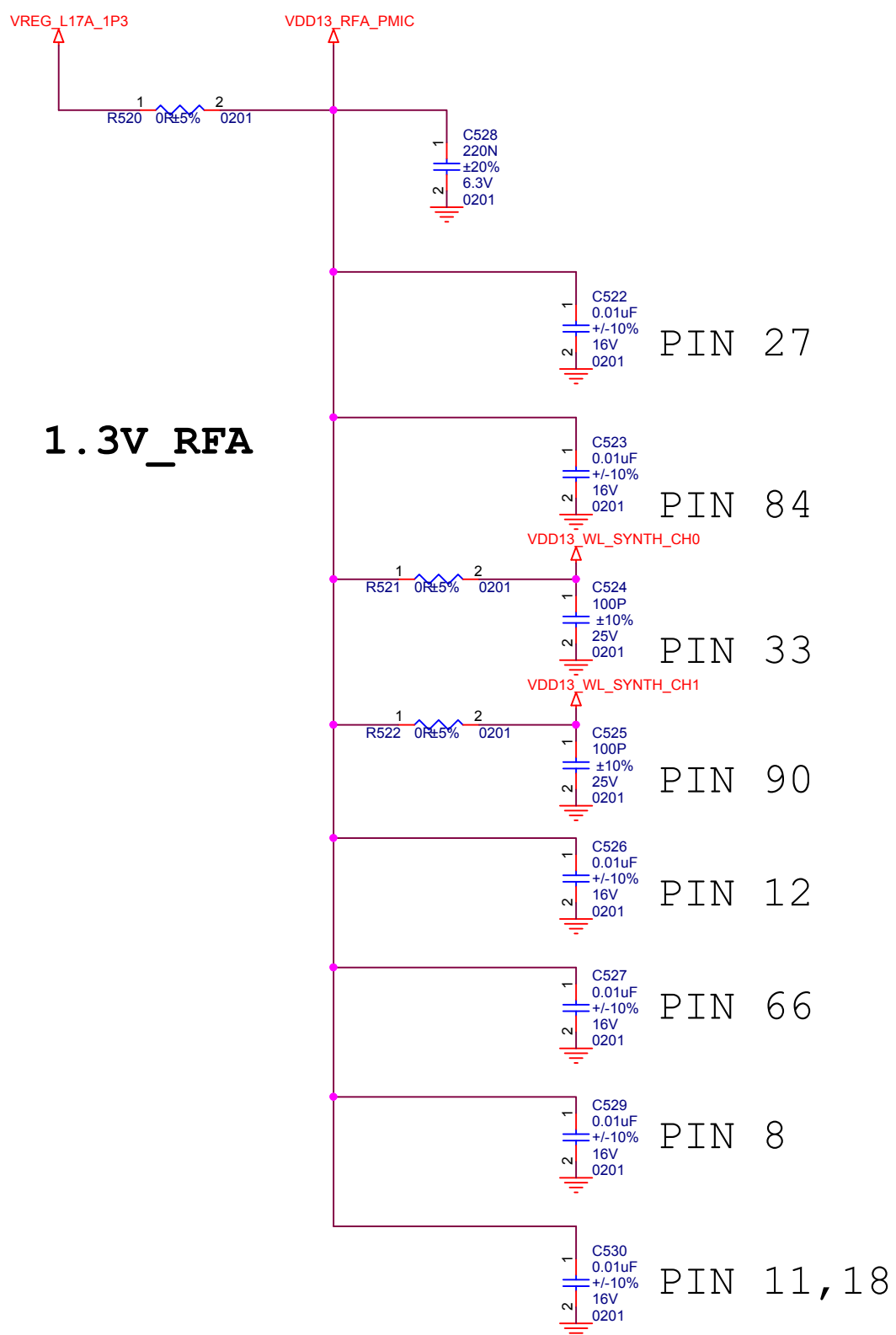
Title			C1
Size	Document Number	Rev	
A3	NFC	P0	
Date:	Monday, February 06, 2017	Sheet	10 of 42



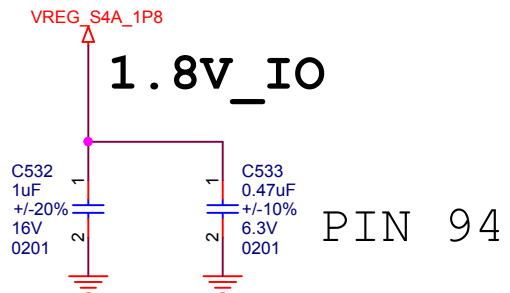
Title		
C1		
Size	Document Number	Rev
A3	GPS	P0
Date:	Monday, January 16, 2017	Sheet 11 of 42





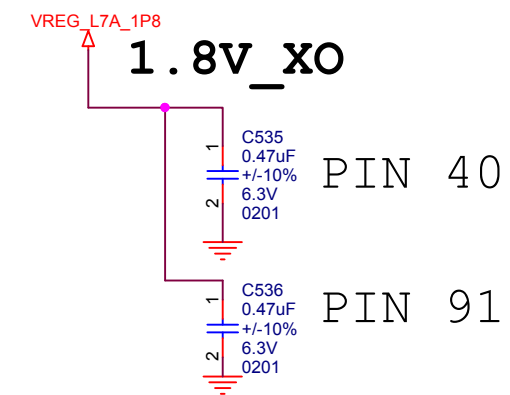


1.3V_RFA



1.8V_IO

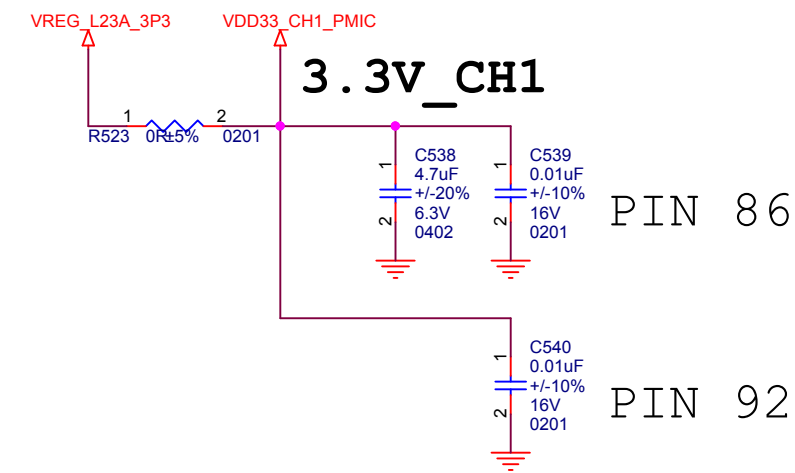
PIN 94



1.8V_XO

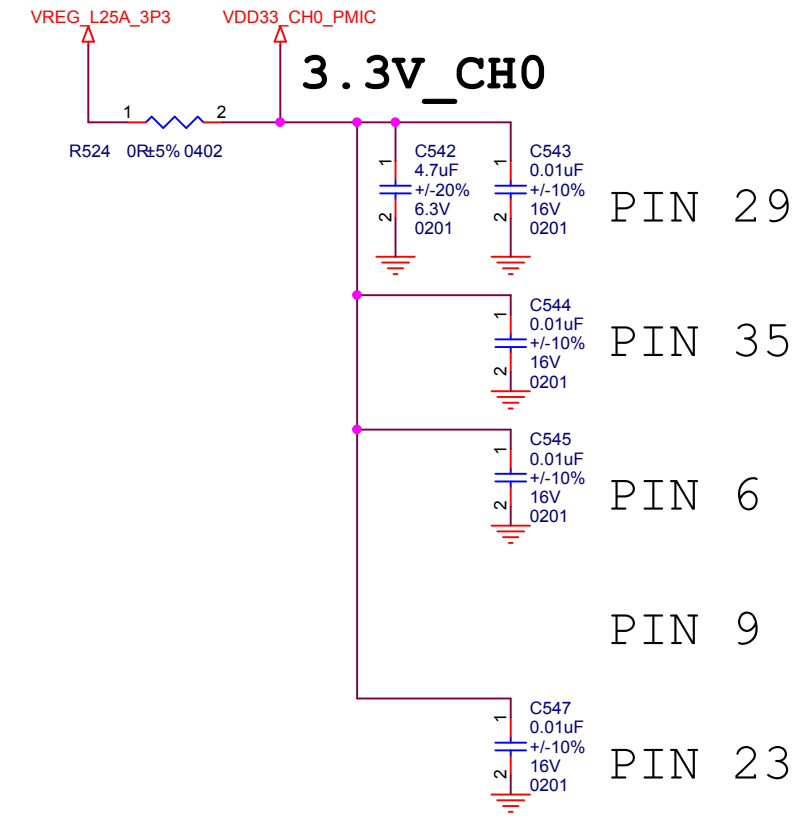
PIN 40

PIN 91



3.3V_CH1

PIN 86



3.3V_CH0

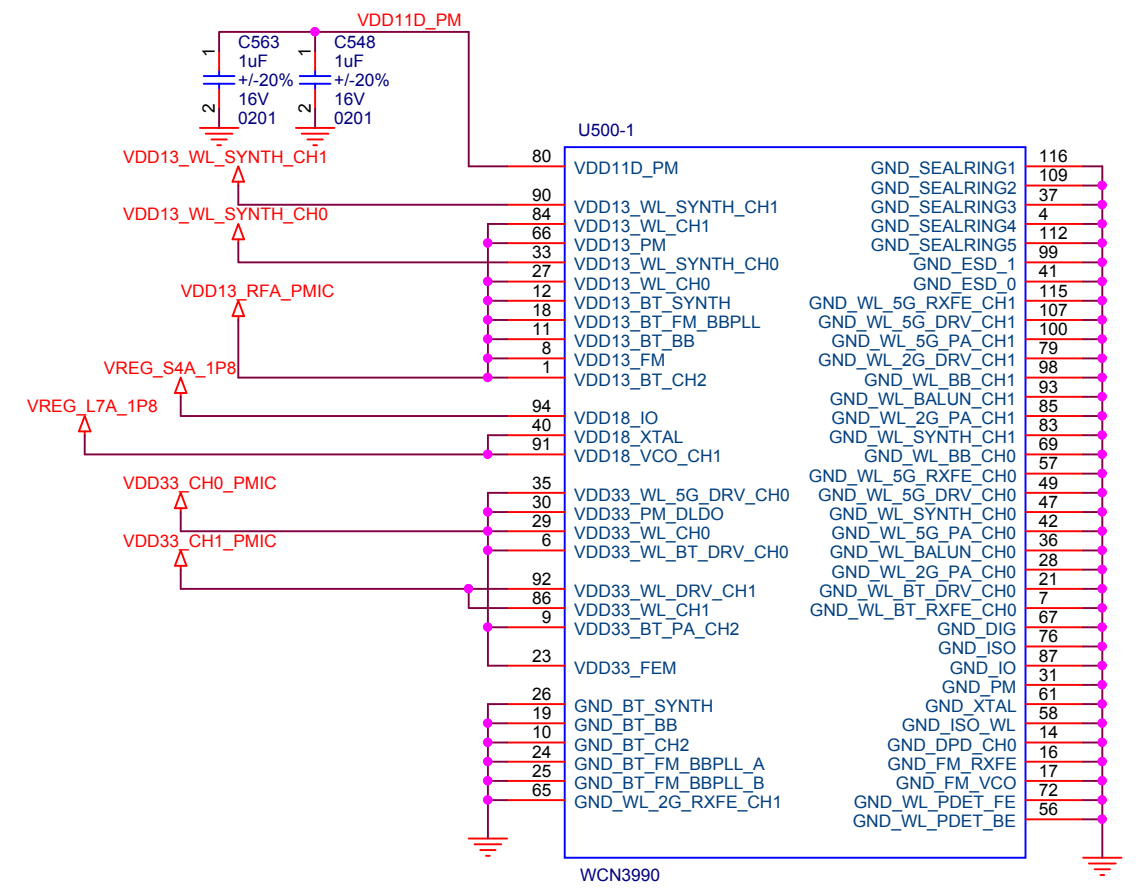
PIN 29

PIN 35

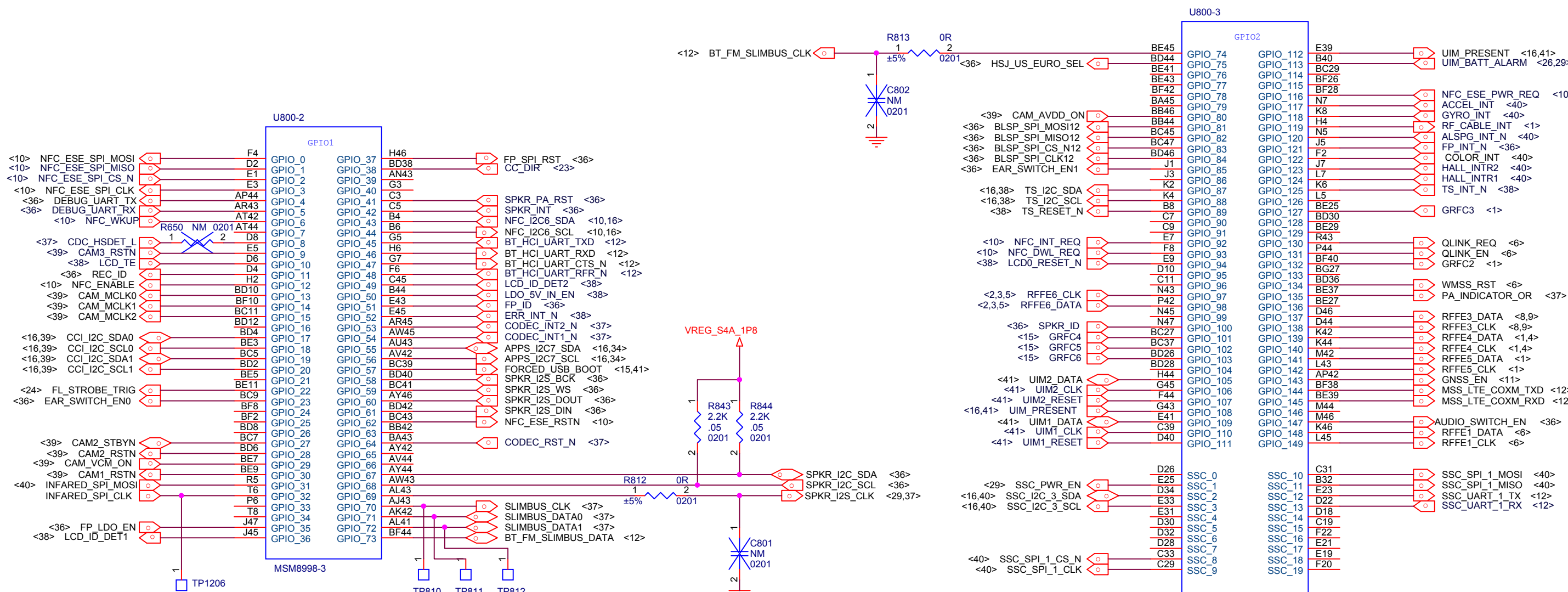
PIN 6

PIN 9

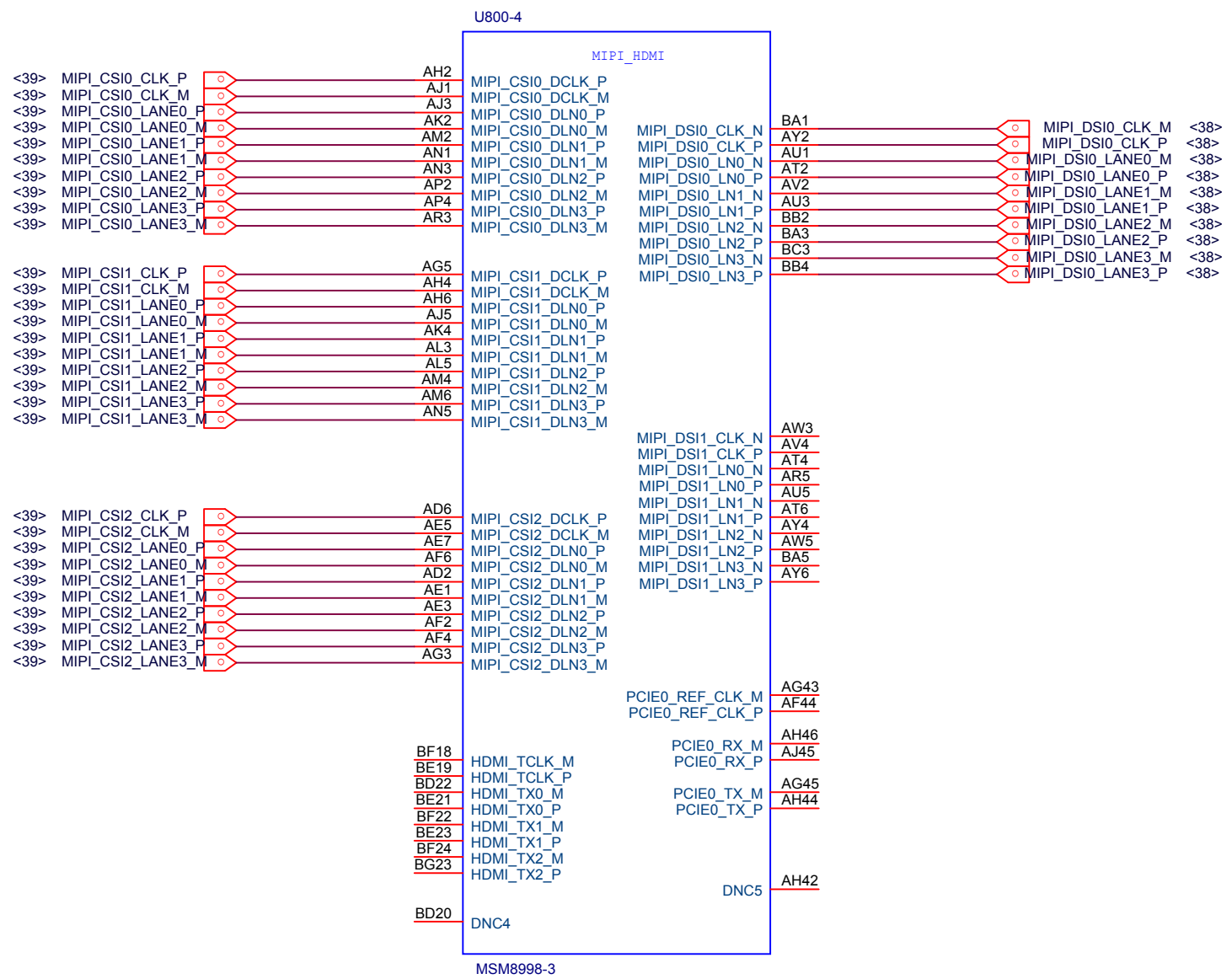
PIN 23,30



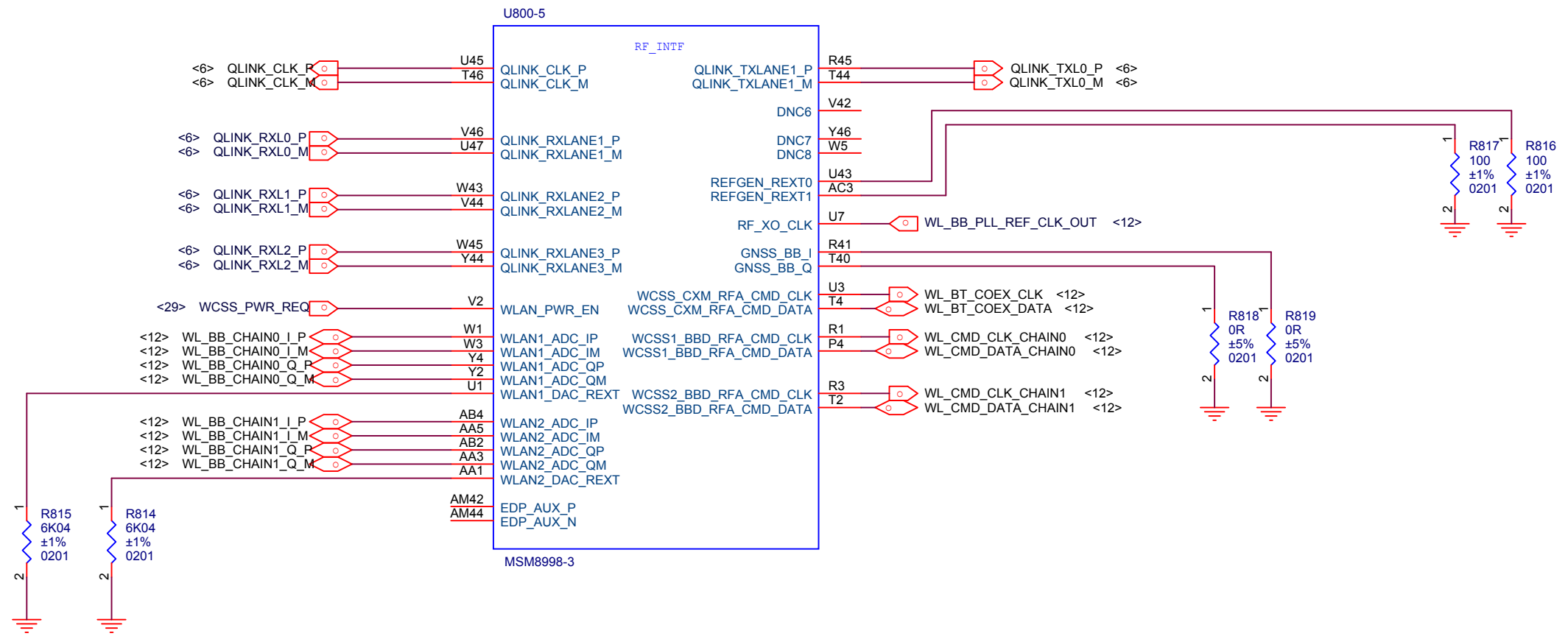
Title		
C1		
Size	Document Number	Rev
A3	BT/WLAN DECOUP	P0
Date:	Monday, January 16, 2017	Sheet 14 of 42



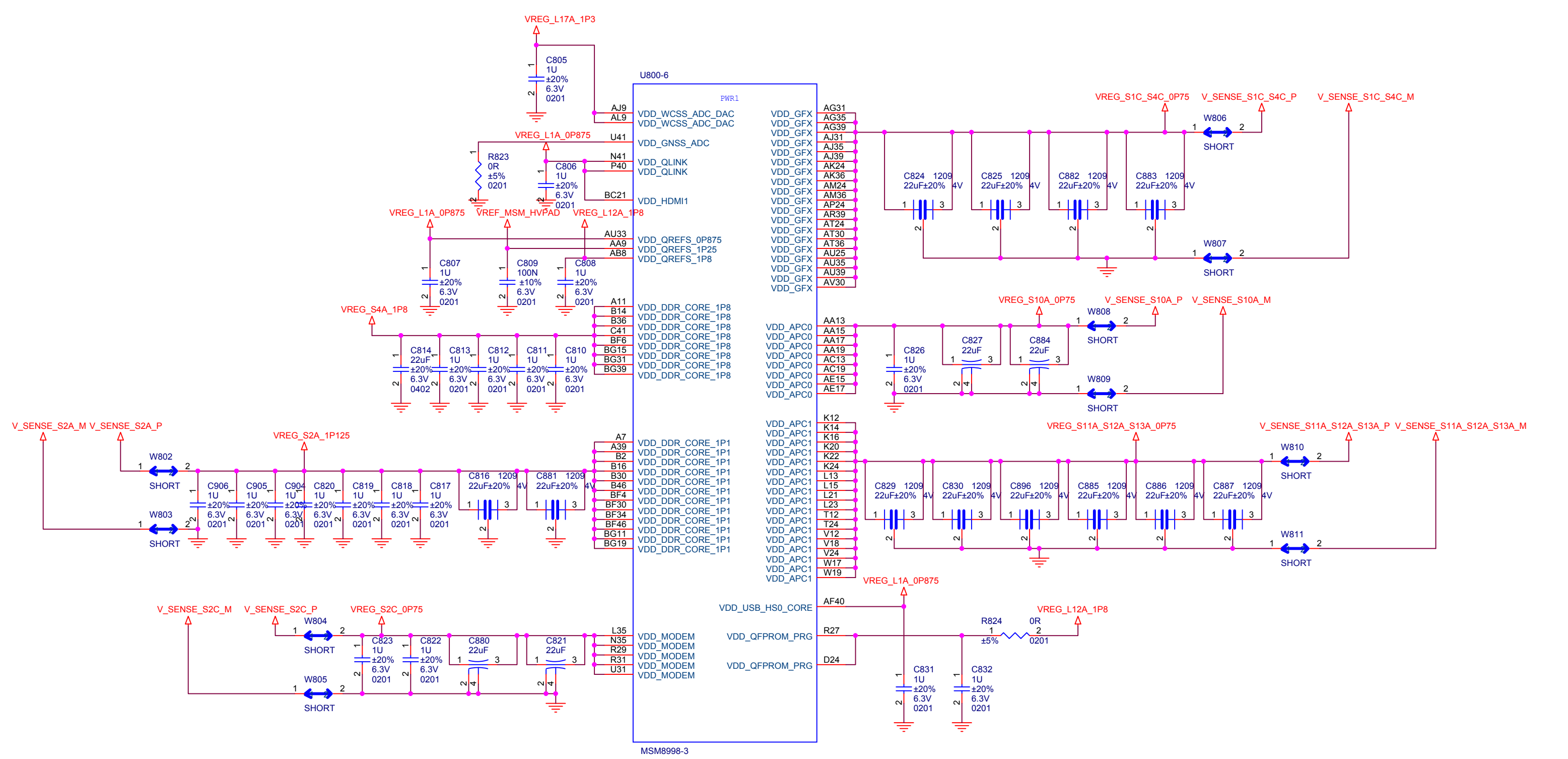
Title			C1		
Size	Document Number		Rev		
A3	MSM8998 GPIO		P0		
Date:	Monday, January 23, 2017	Sheet	16	of	42



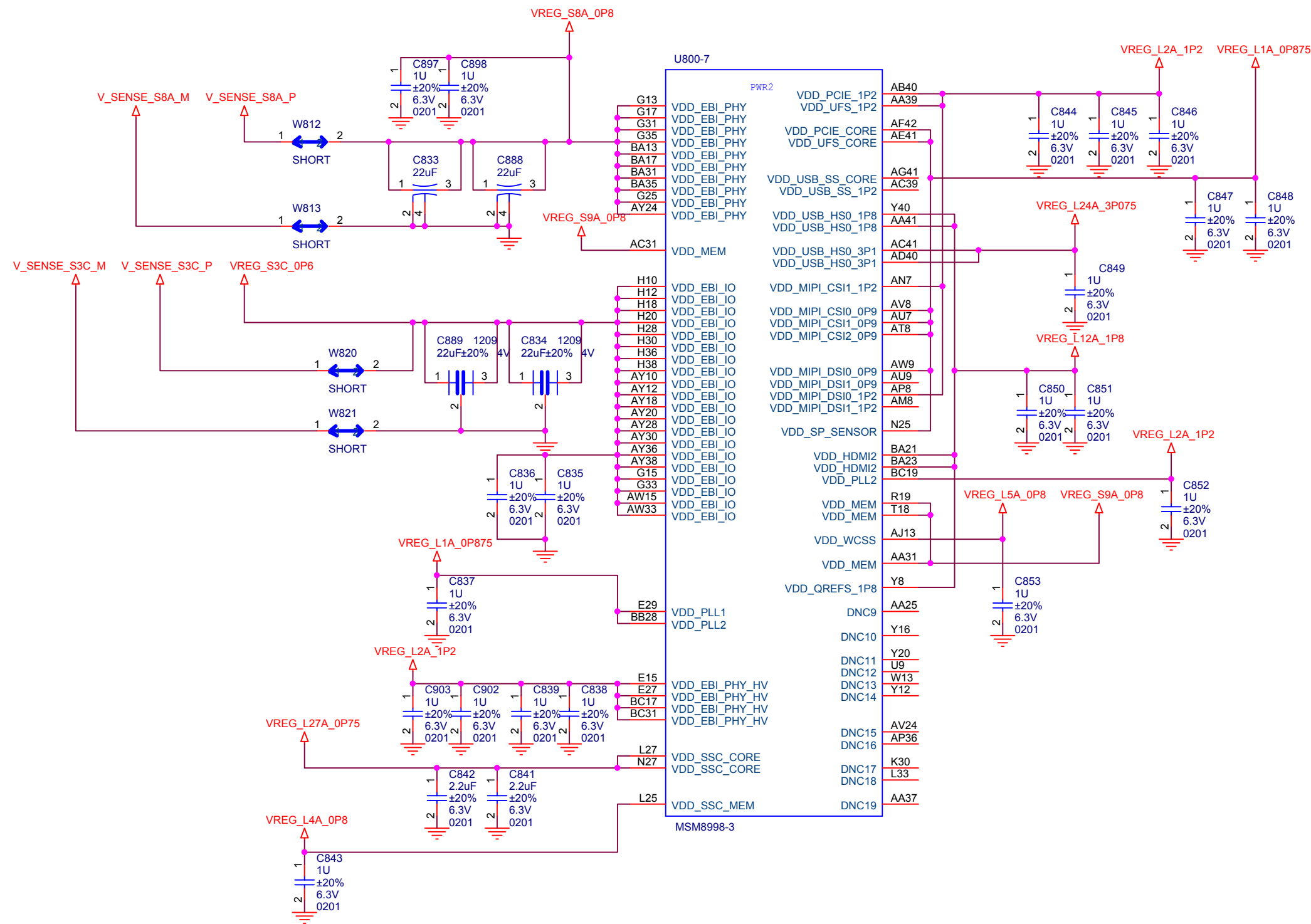
Title		
C1		
Size	Document Number	Rev
A3	MSM8998 MIPI	P0
Date:	Monday, January 23, 2017	Sheet 17 of 42



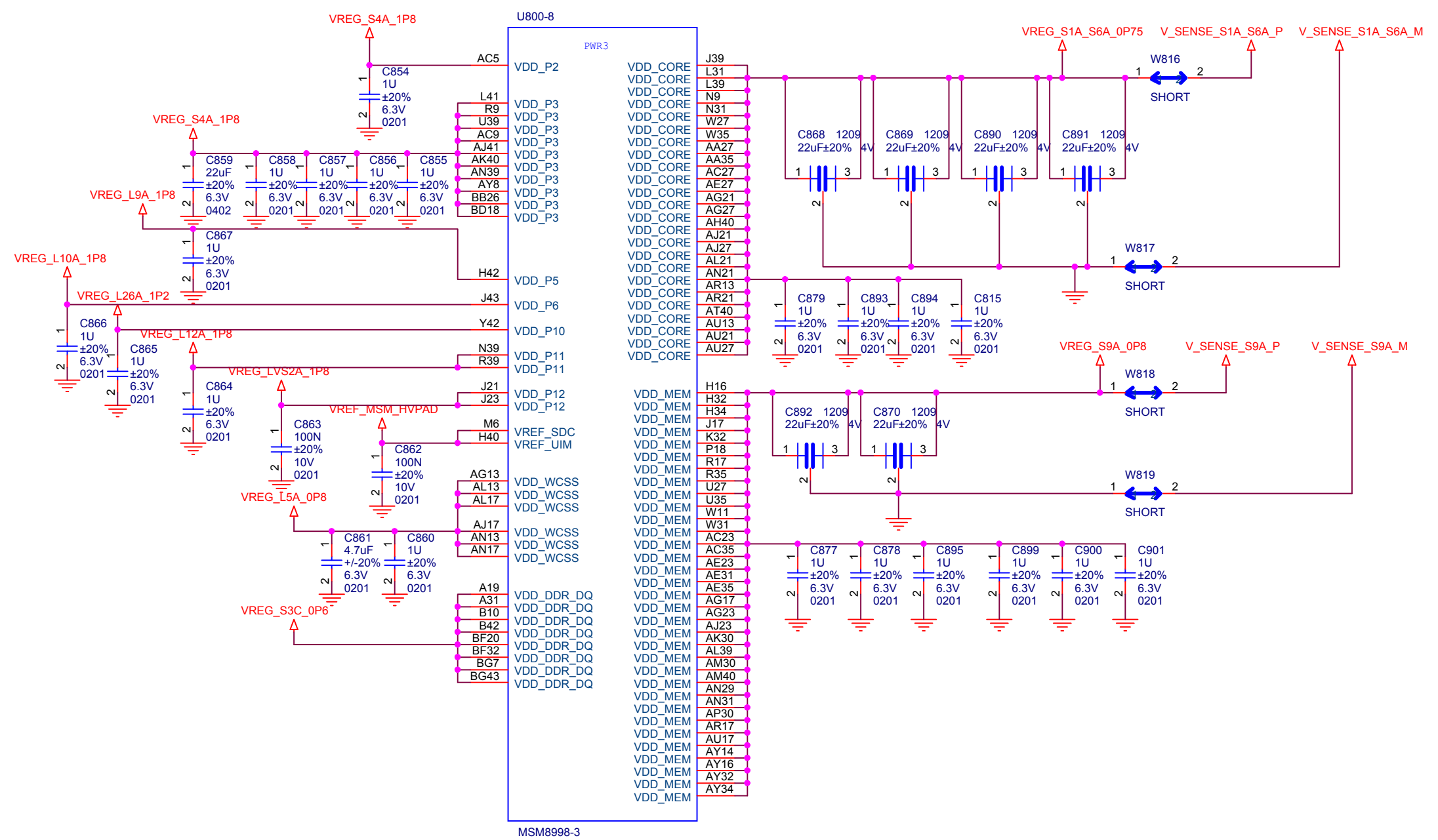
Title		
C1		
Size	Document Number	Rev
A3	MSM8998 RF INTF	P0
Date:	Monday, January 23, 2017	Sheet 18 of 42



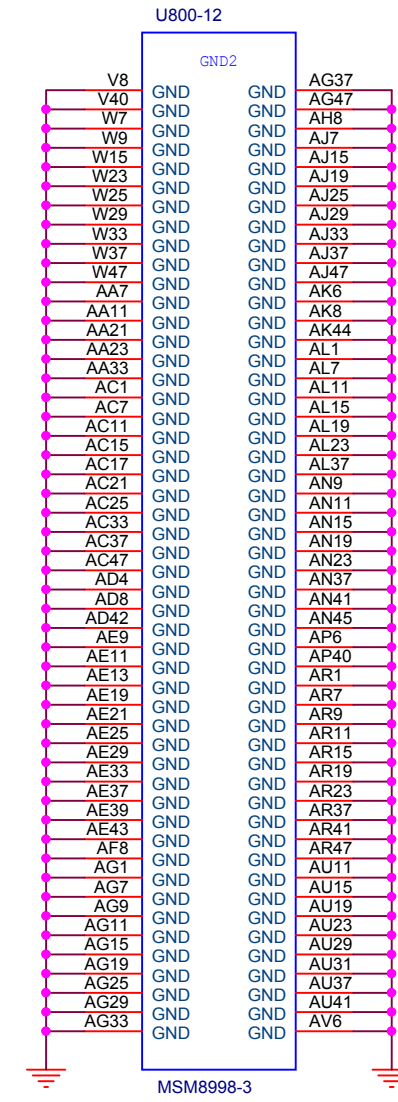
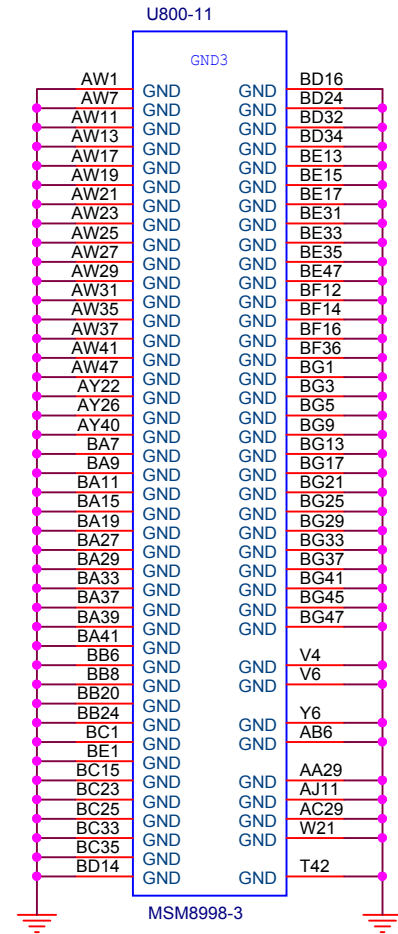
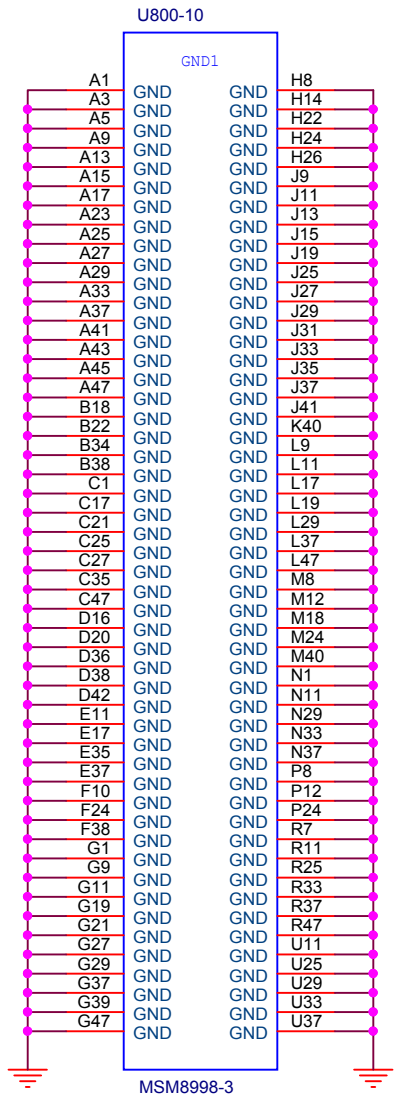
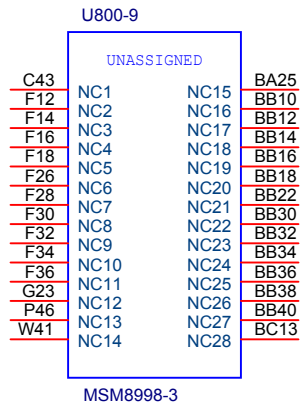
Title		
C1		
Size	Document Number	Rev
A3	MSM8998 PWR1	P0
Date:	Monday, January 23, 2017	Sheet 19 of 42

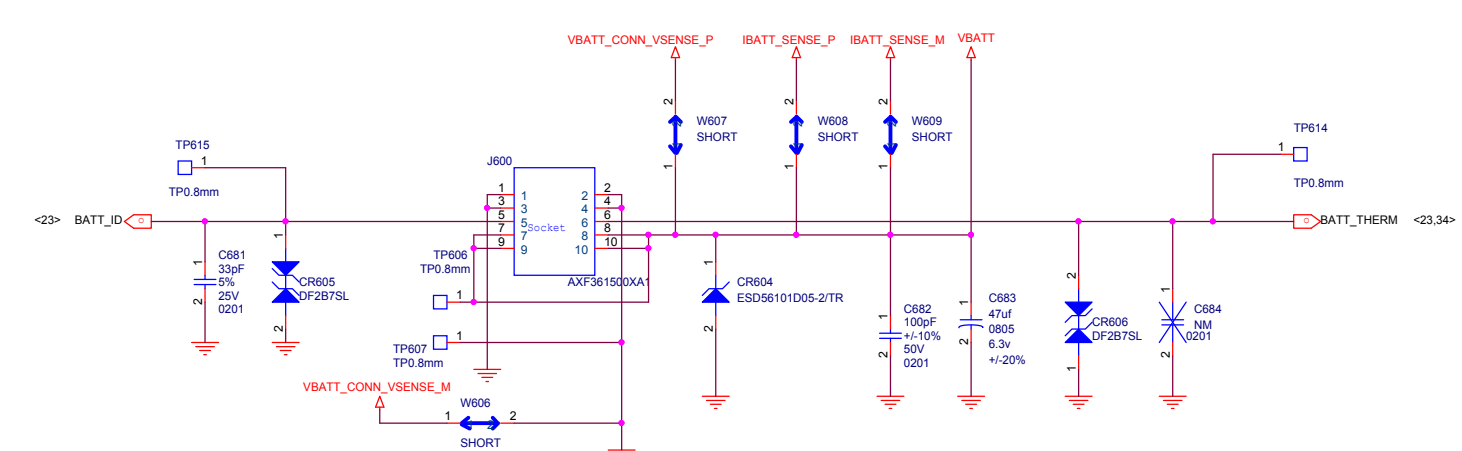
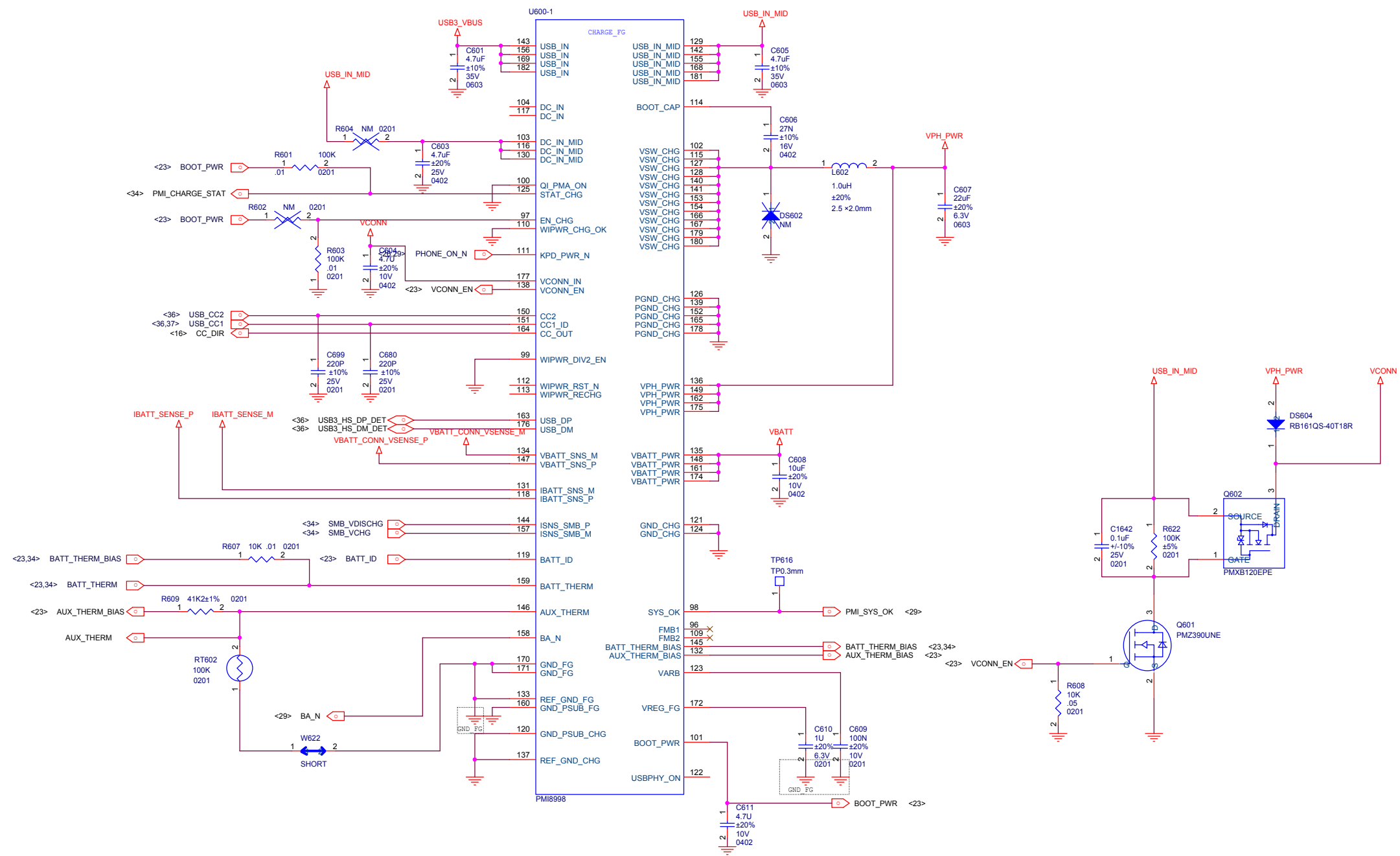


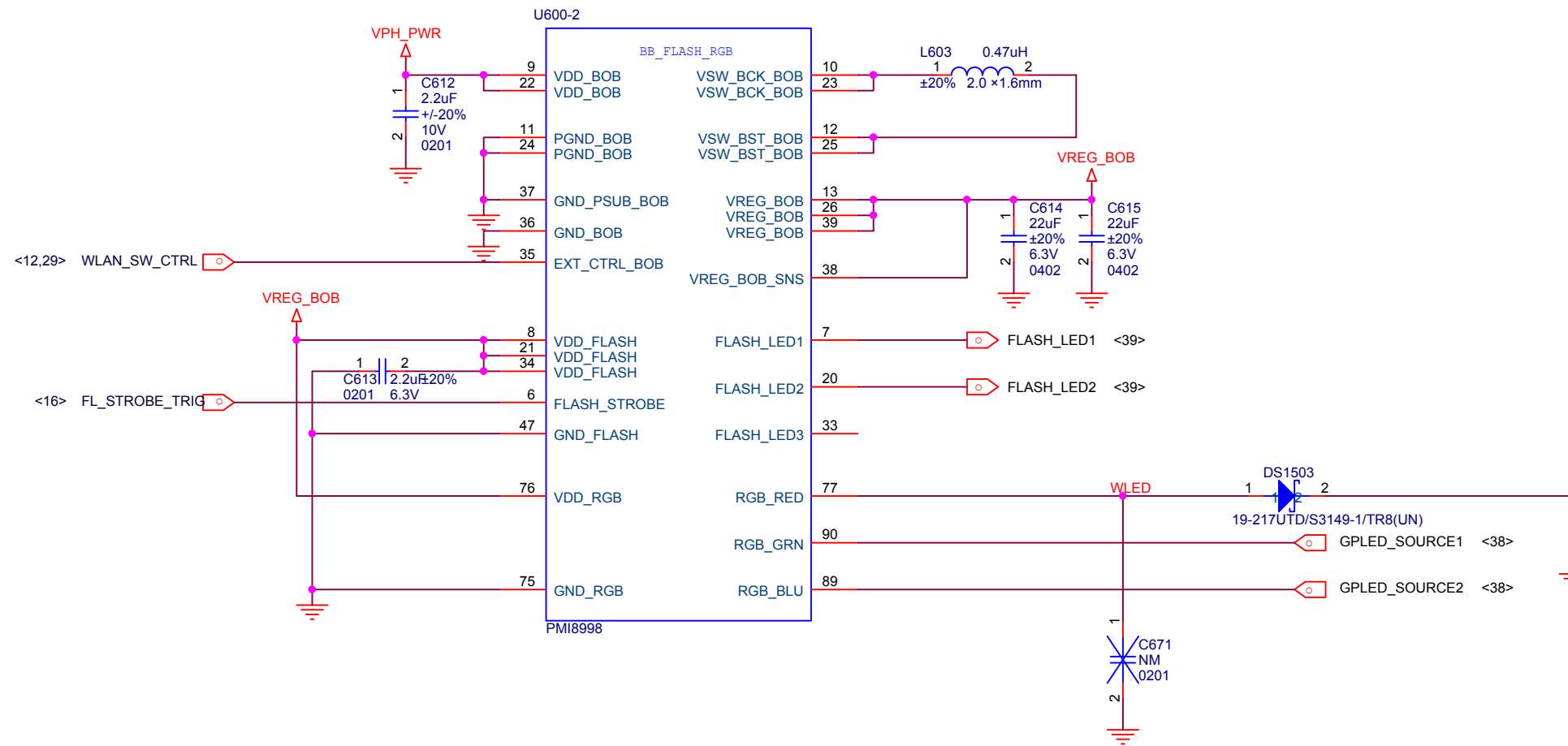
Title		
C1		
Size	Document Number	Rev
A3	MSM8998 PWR2	P0
Date:	Monday, January 23, 2017	Sheet 20 of 42



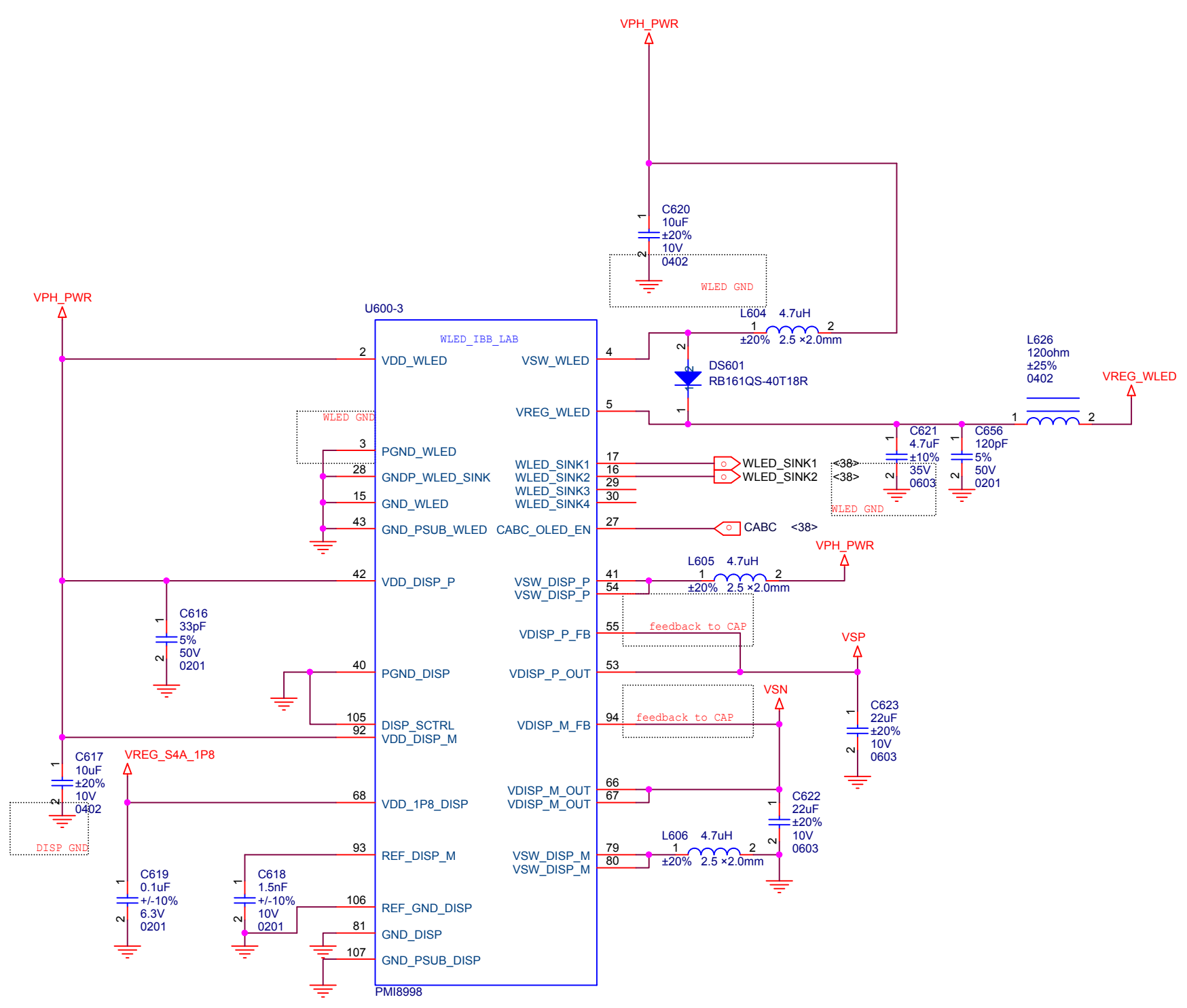
Title		
C1		
Size	Document Number	Rev
A3	MSM8998 PWR3	P0
Date:	Monday, January 23, 2017	Sheet 21 of 42



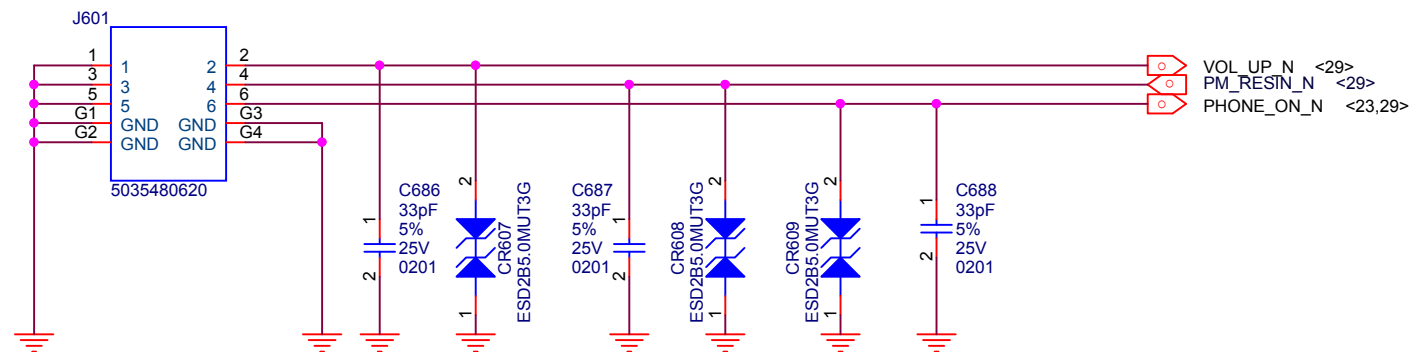
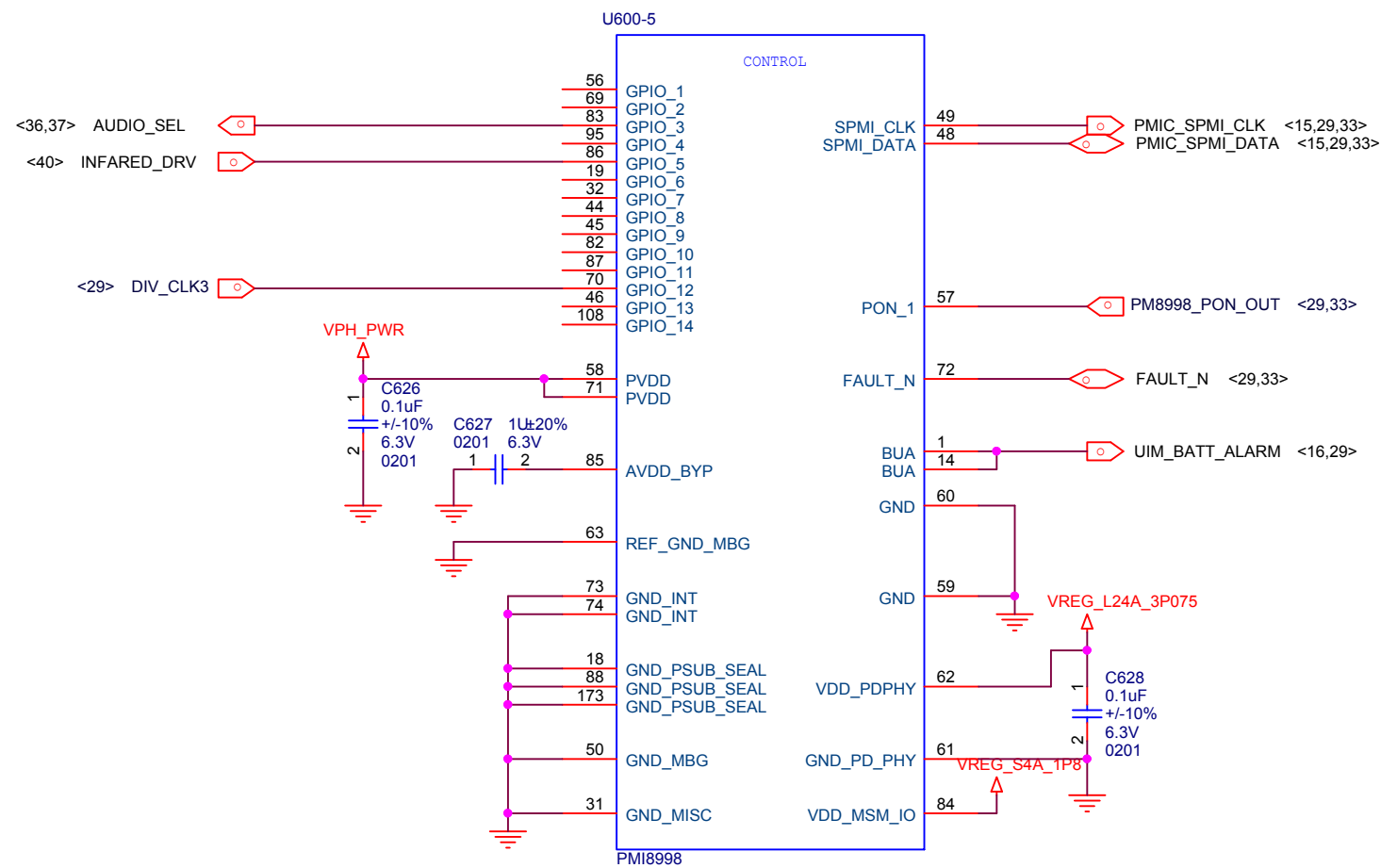
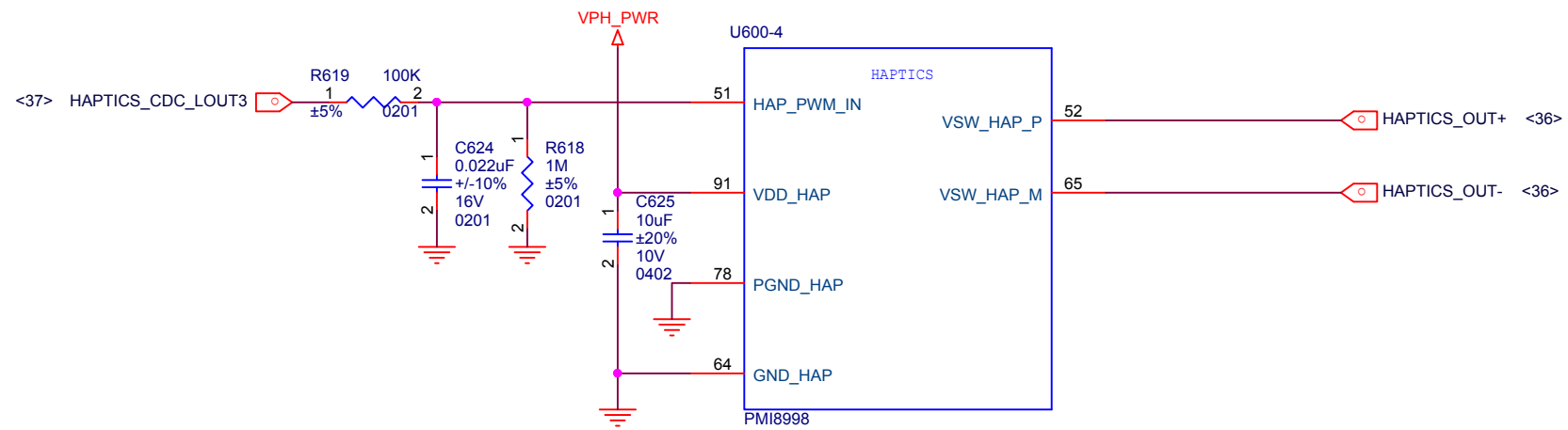




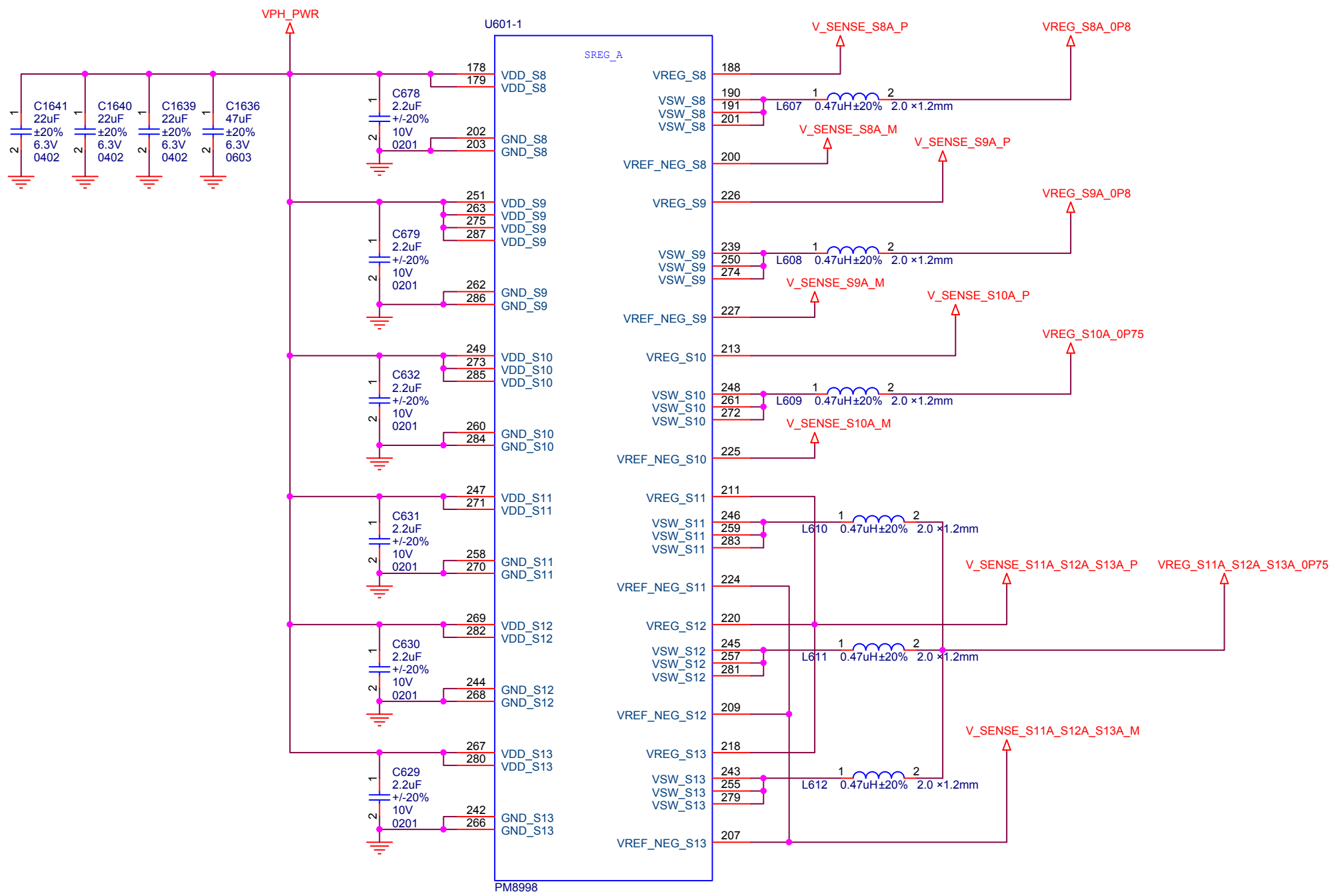
Title		
C1		
Size	Document Number	Rev
A3	PM18998 BB FLASH RGB	P0
Date:	Monday, January 16, 2017	Sheet 24 of 42



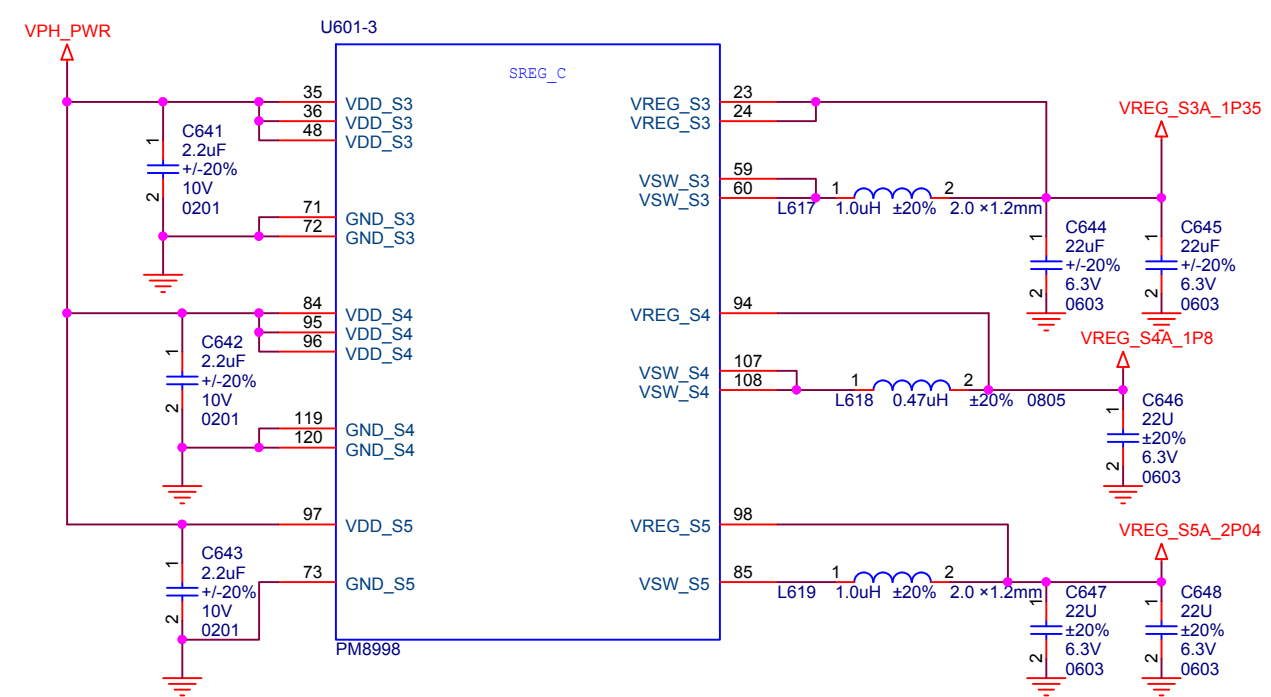
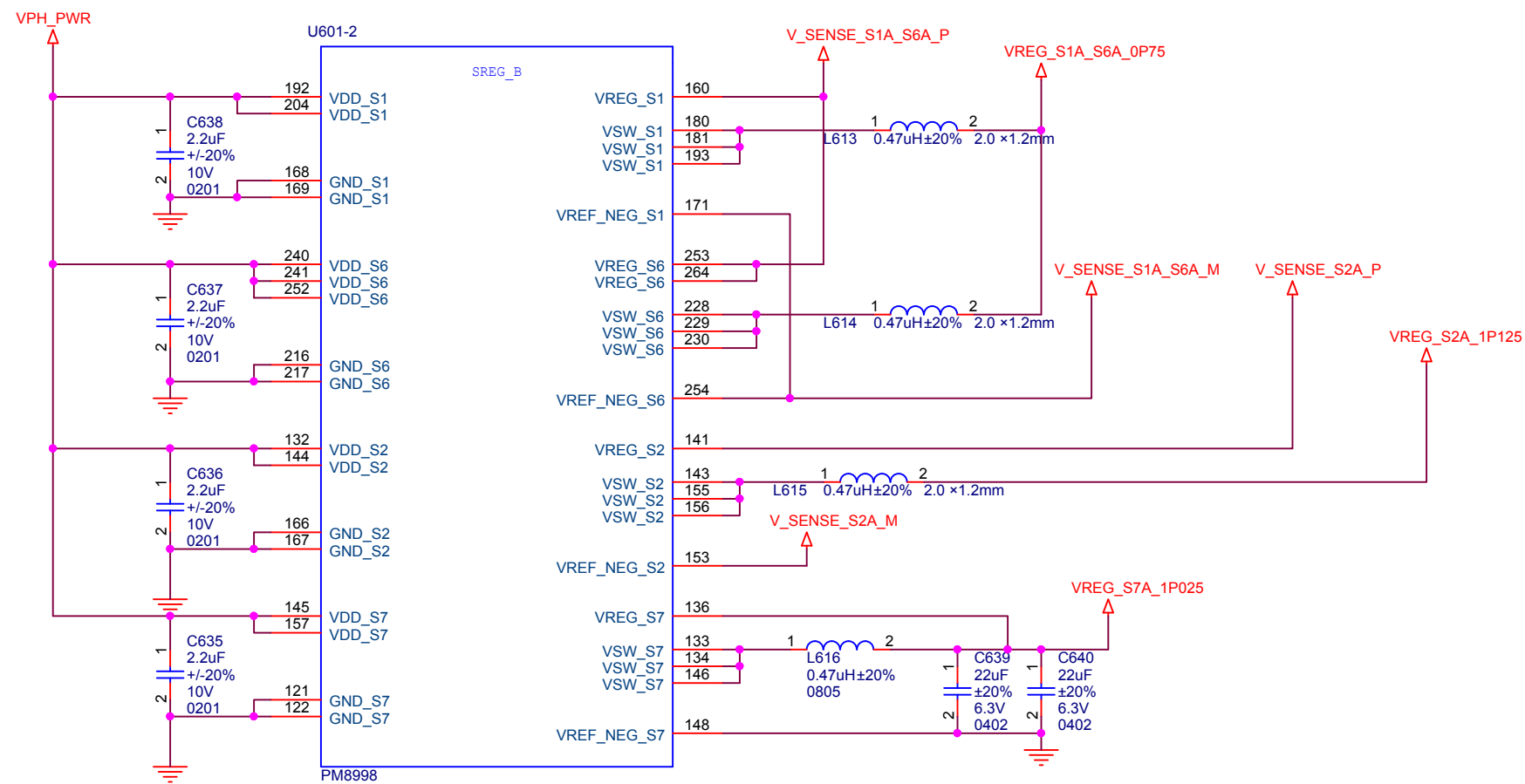
Title		
C1		
Size	Document Number	Rev
A3	PMI8998 WLED IBB LAD	P0
Date:	Monday, January 23, 2017	Sheet 25 of 42



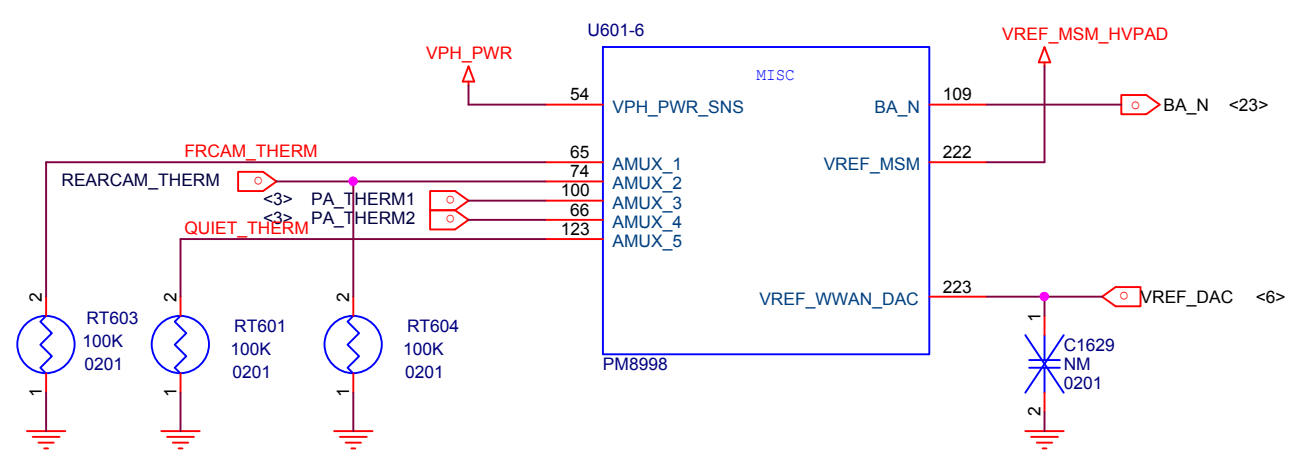
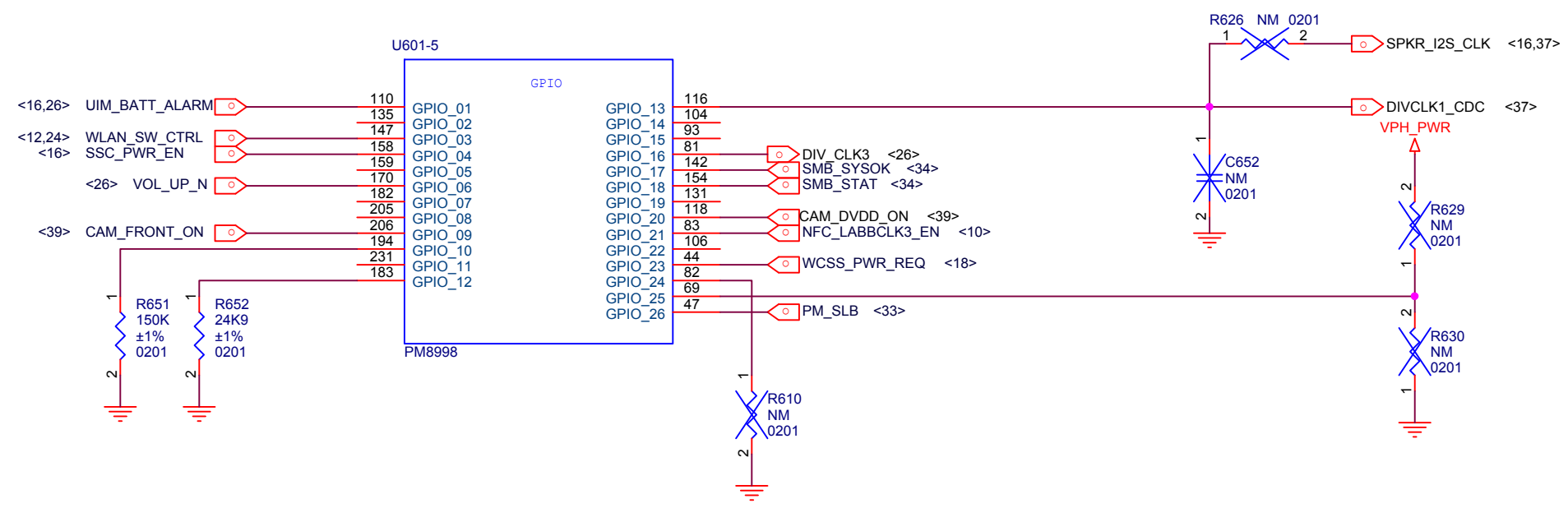
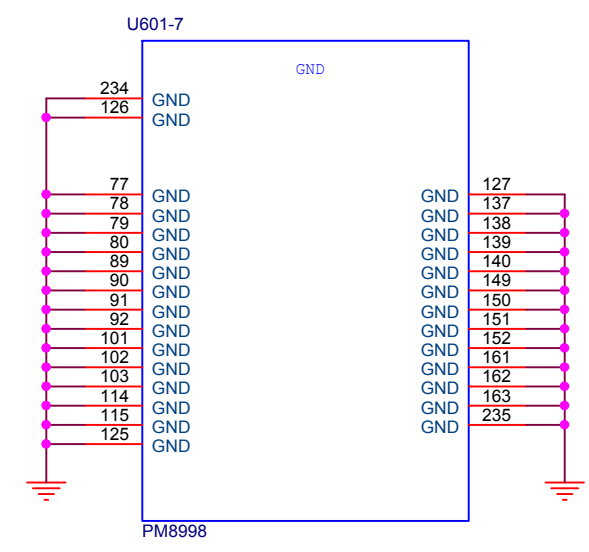
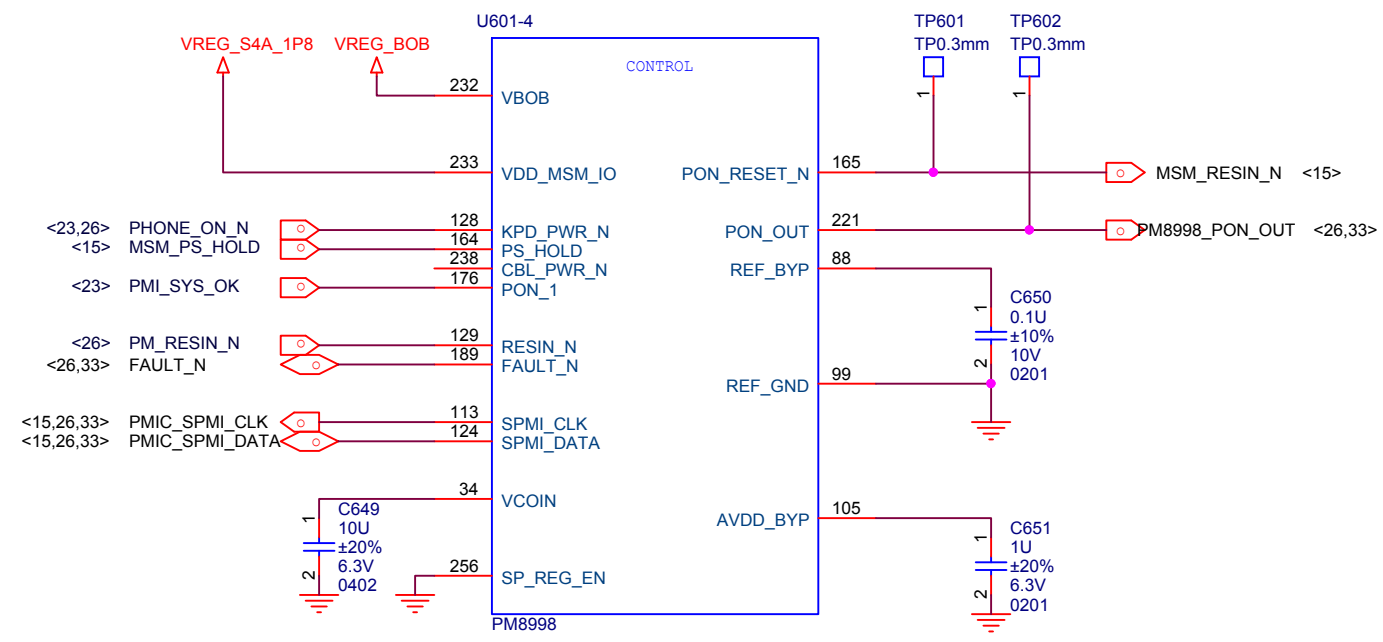
Title		
C1		
Size	Document Number	Rev
A3	PM18998 HAPTICS&CONTROL	P0
Date:	Monday, January 16, 2017	Sheet 26 of 42



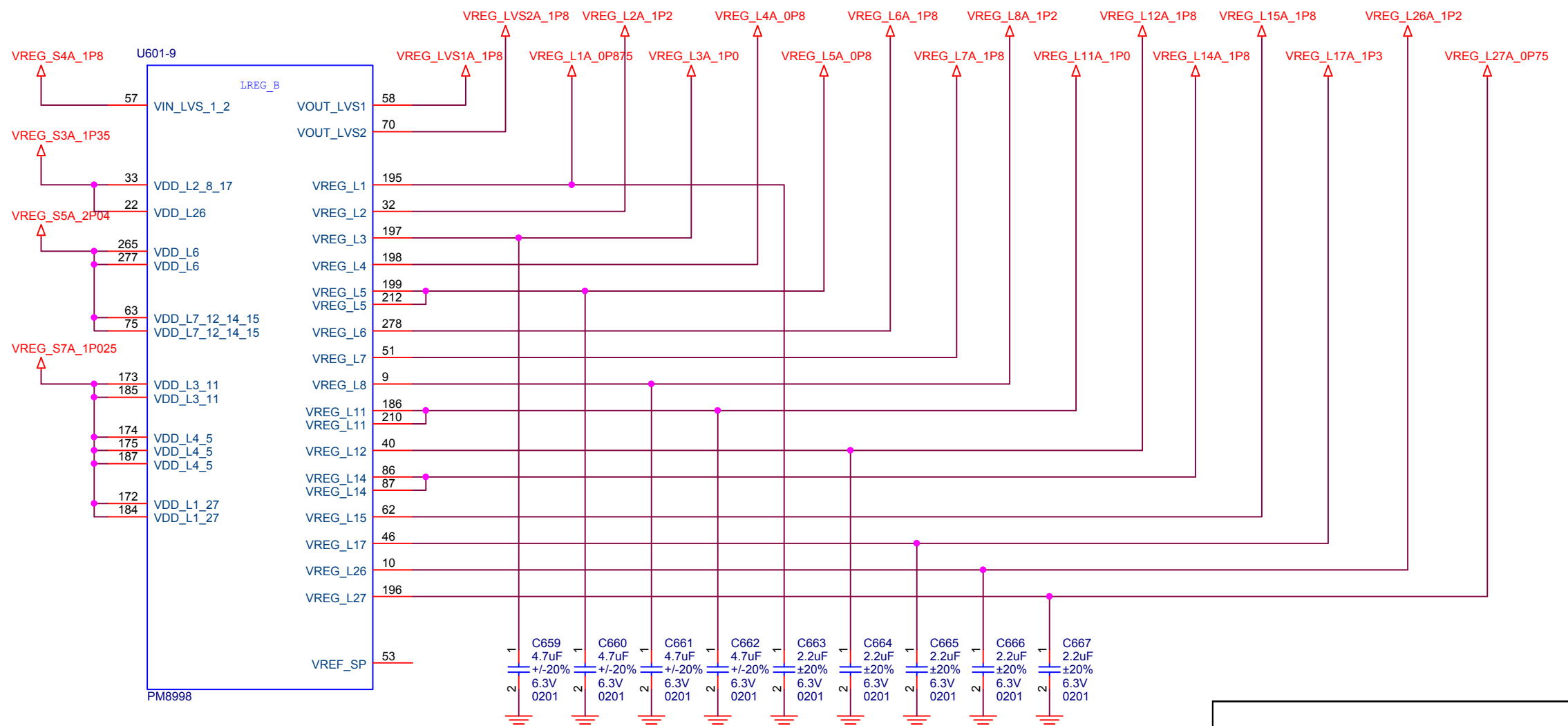
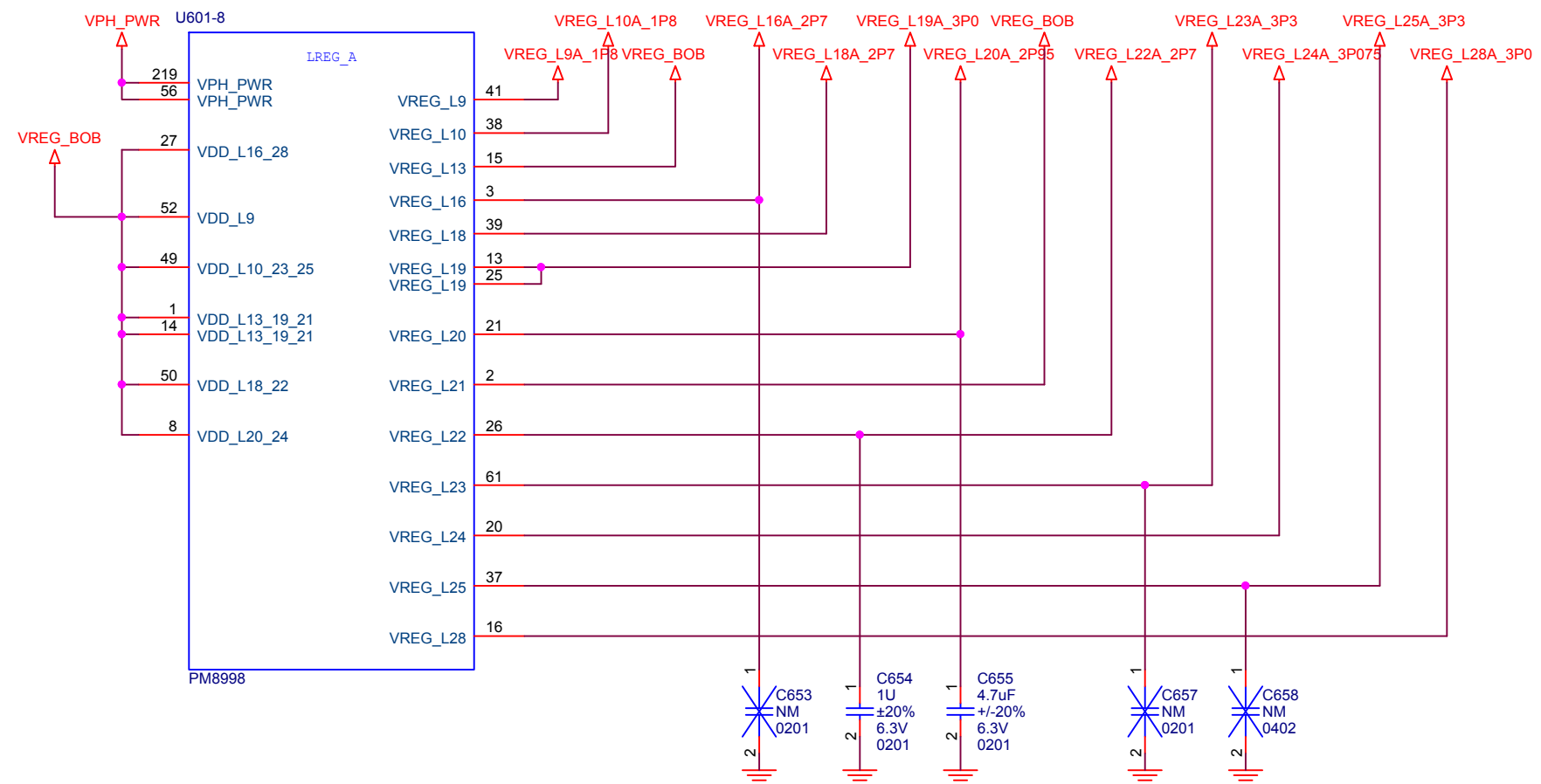
Title		
C1		
Size	Document Number	Rev
A3	PM8998 SREG A	P0
Date:	Monday, January 16, 2017	Sheet 27 of 42



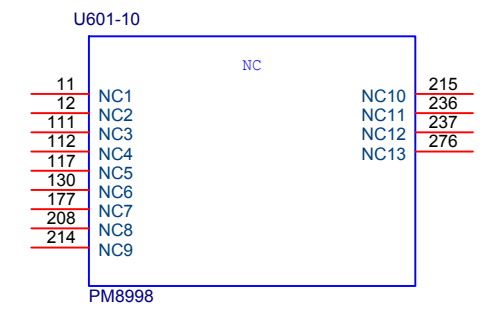
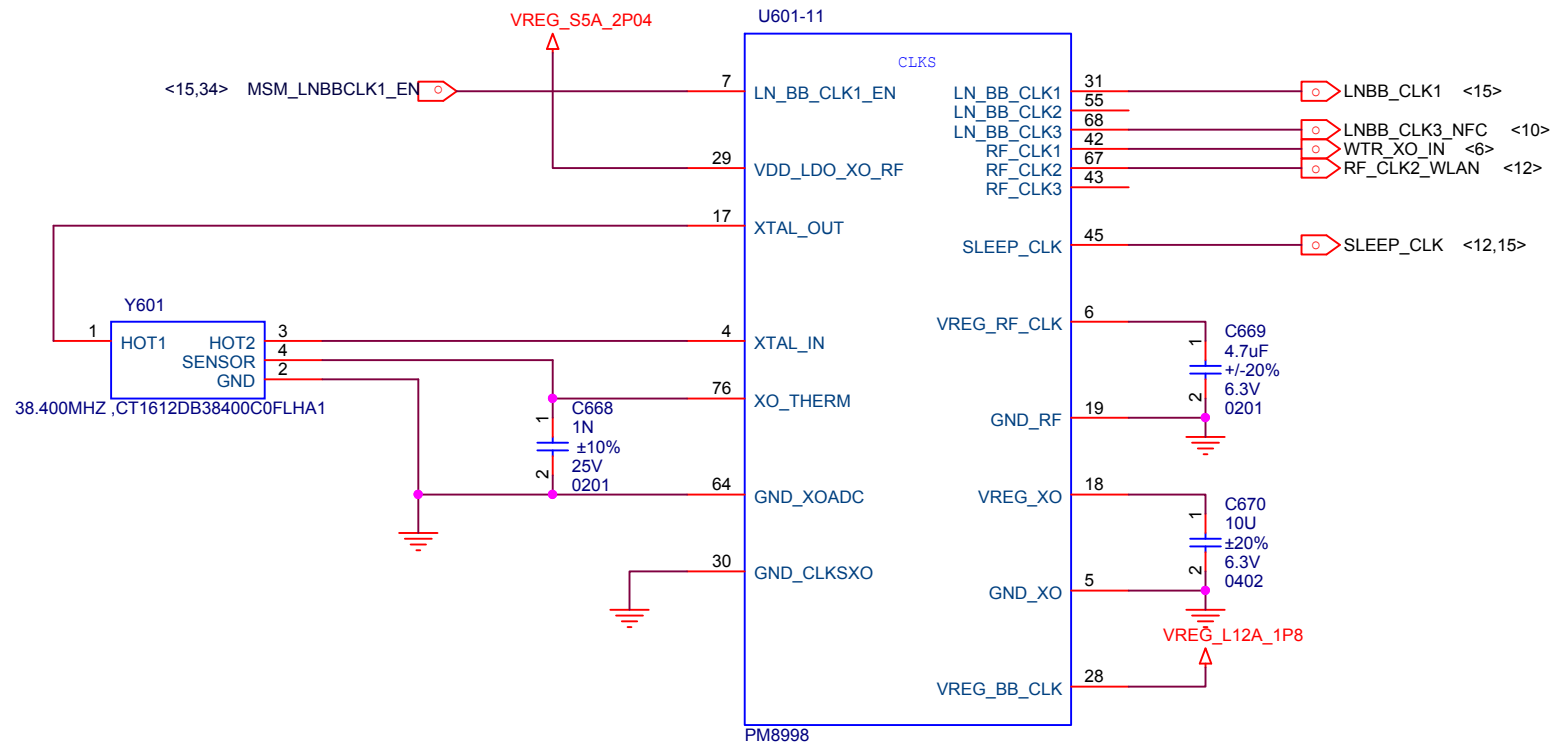
Title		
C1		
Size	Document Number	Rev
A3	PM8998 SREG B&C	P0
Date:	Monday, January 16, 2017	Sheet 28 of 42



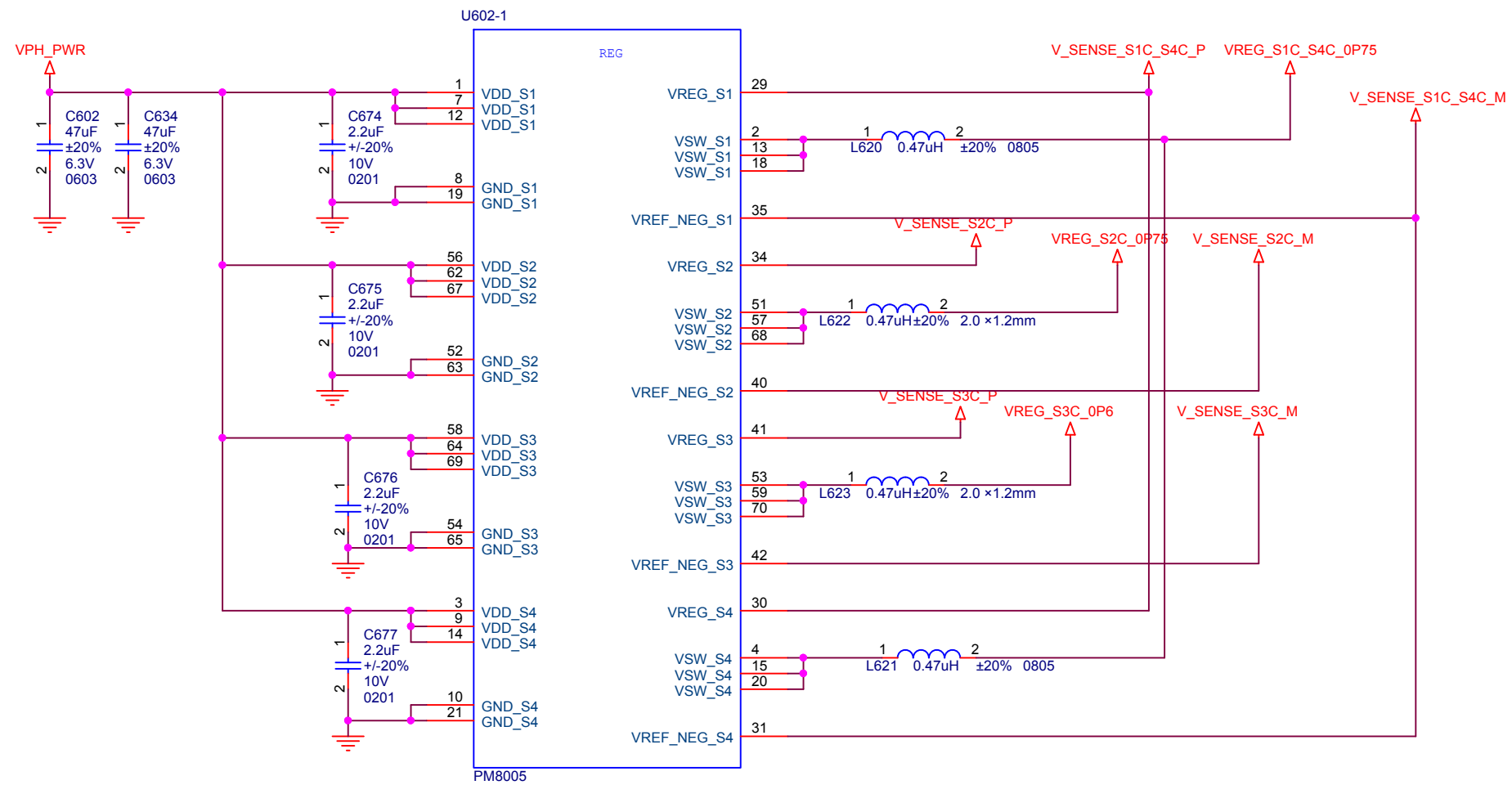
Title		
C1		
Size	Document Number	Rev
A3	PM8998 CONTROL&GPIO&MICS	P0
Date:	Monday, February 06, 2017	Sheet 29 of 42



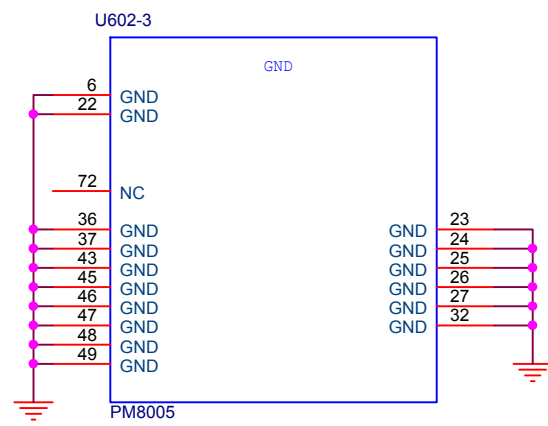
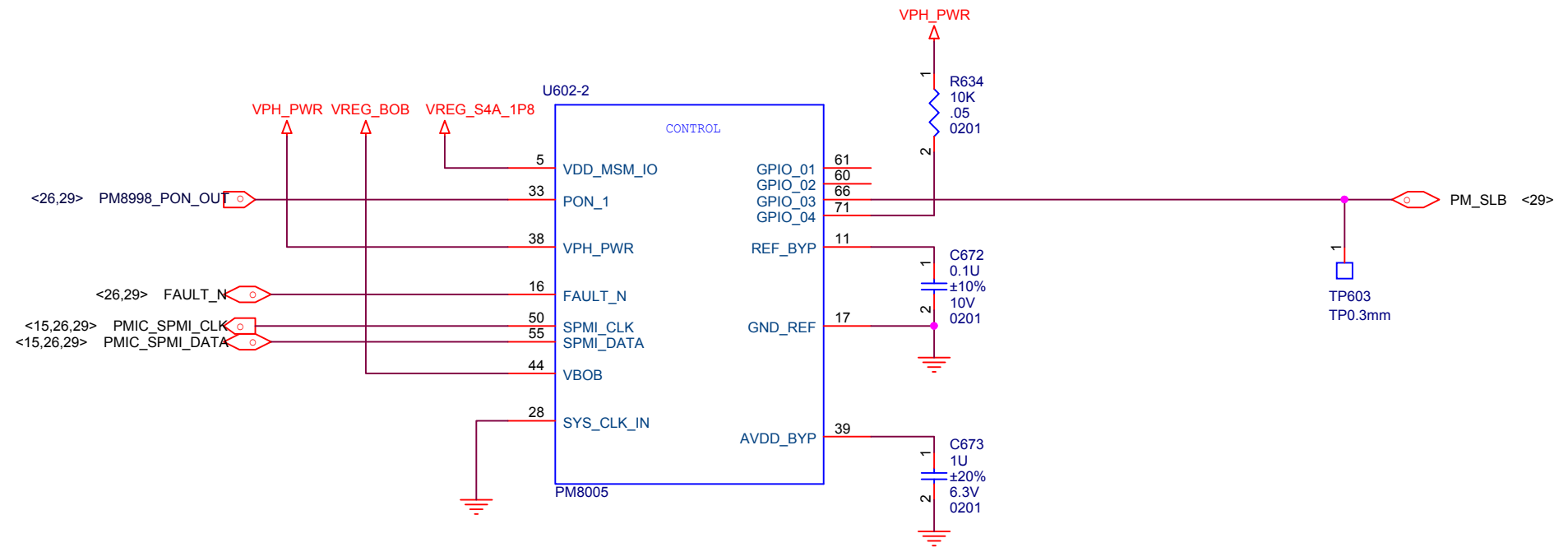
Title		
C1		
Size	Document Number	Rev
A3	PM8998 LREG A&B	P0
Date:	Monday, January 16, 2017	Sheet 30 of 42



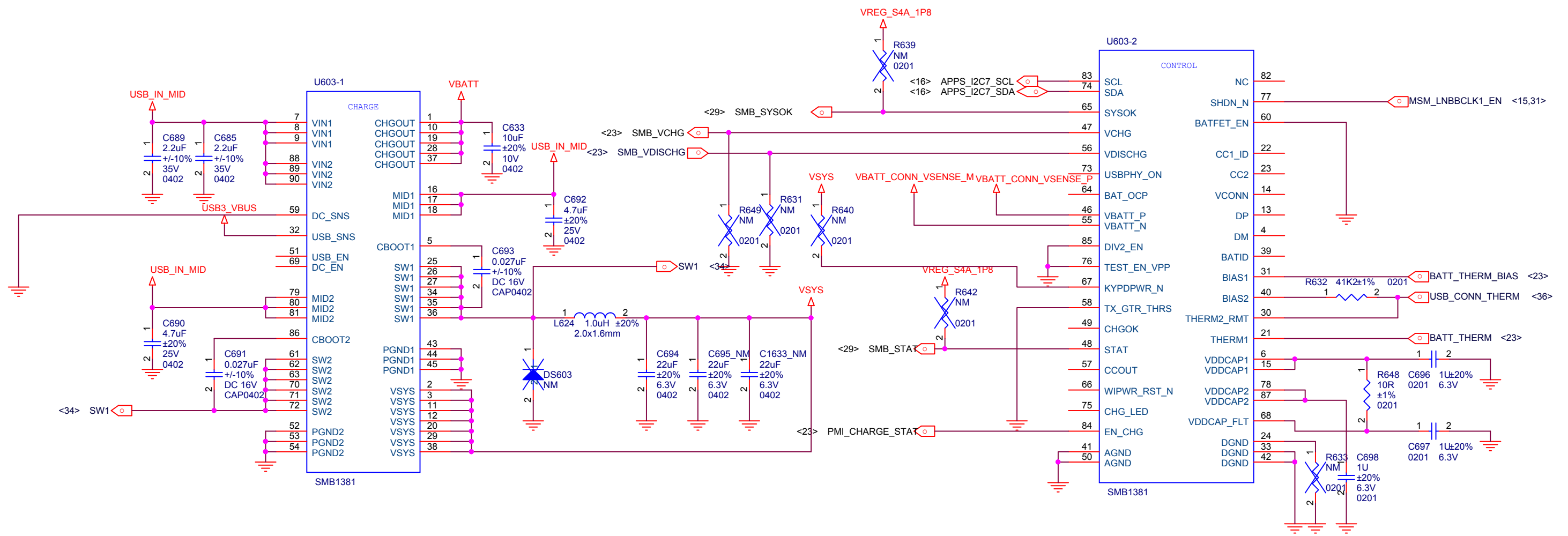
Title		
C1		
Size	Document Number	Rev
A3	PM8998 CLKs	P0
Date:	Monday, January 16, 2017	Sheet 31 of 42



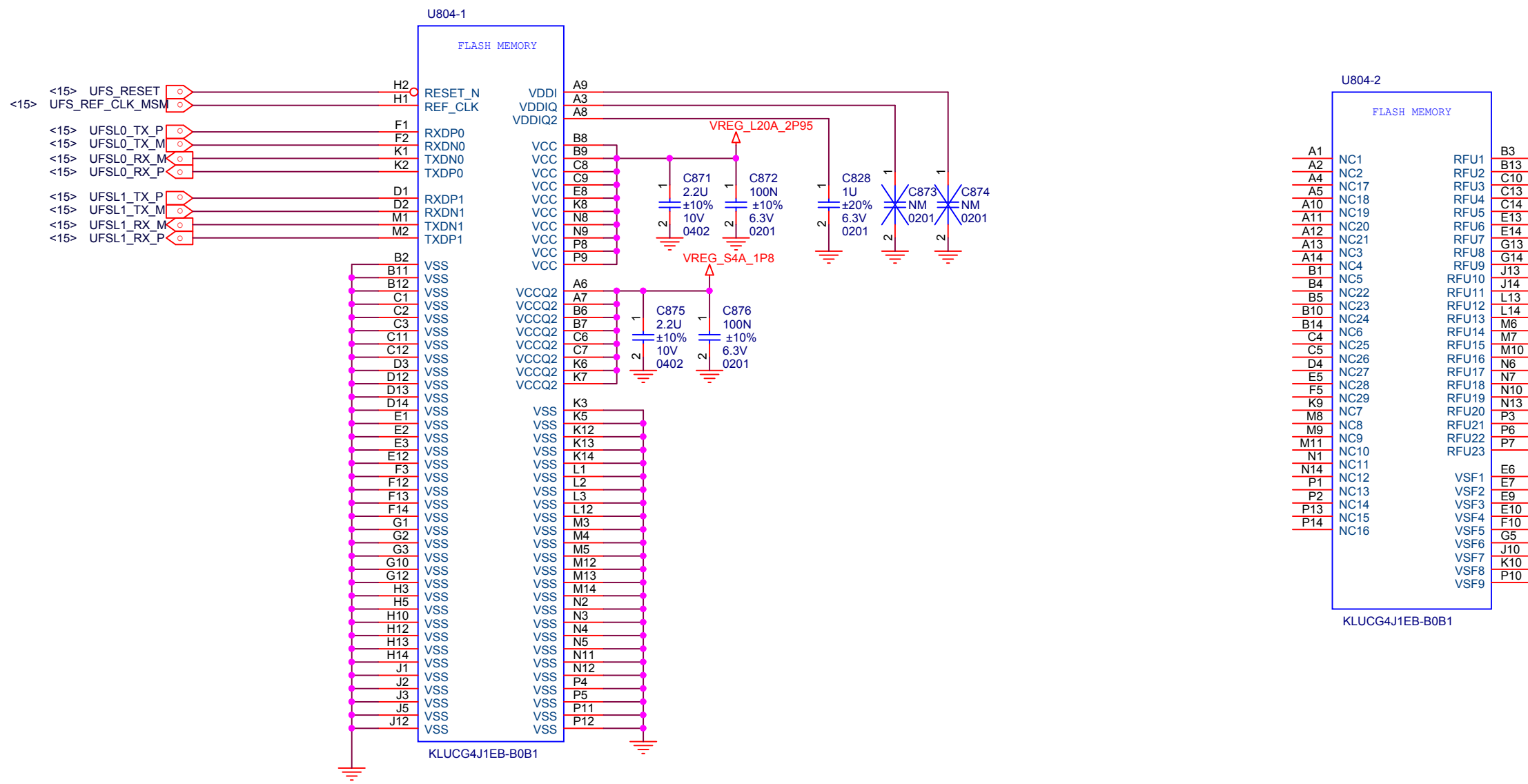
Title		
C1		
Size	Document Number	Rev
A3	PM8005 REG	P0
Date:	Monday, January 16, 2017	Sheet 32 of 42



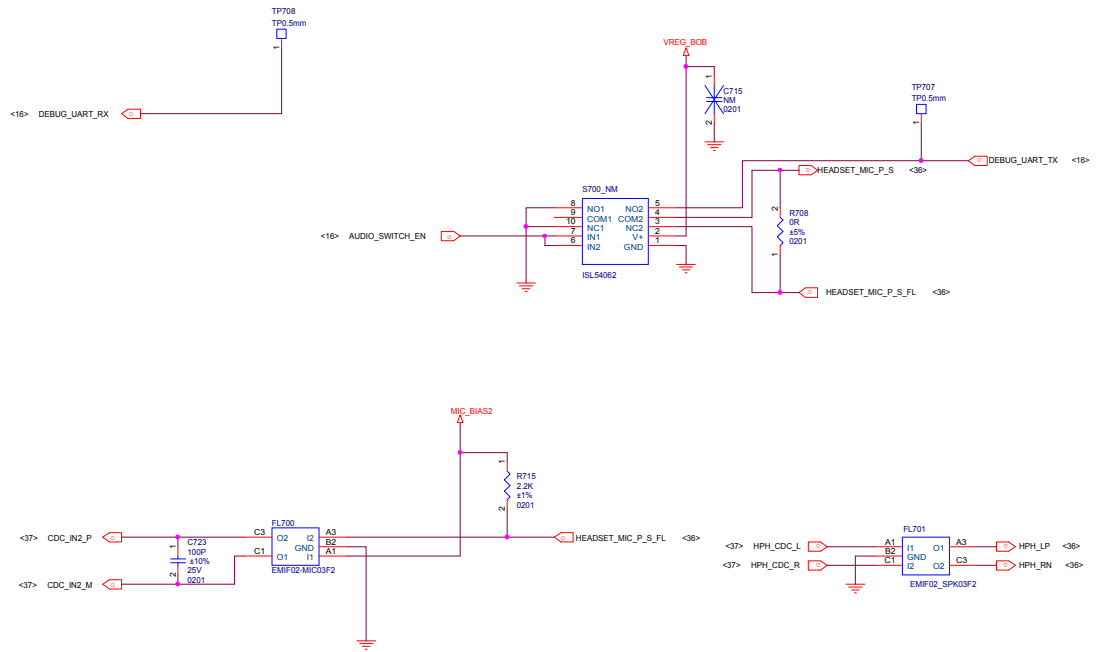
Title		
C1		
Size	Document Number	Rev
A3	PM8005 CONTROL&GND	P0
Date:	Monday, January 16, 2017	Sheet 33 of 42



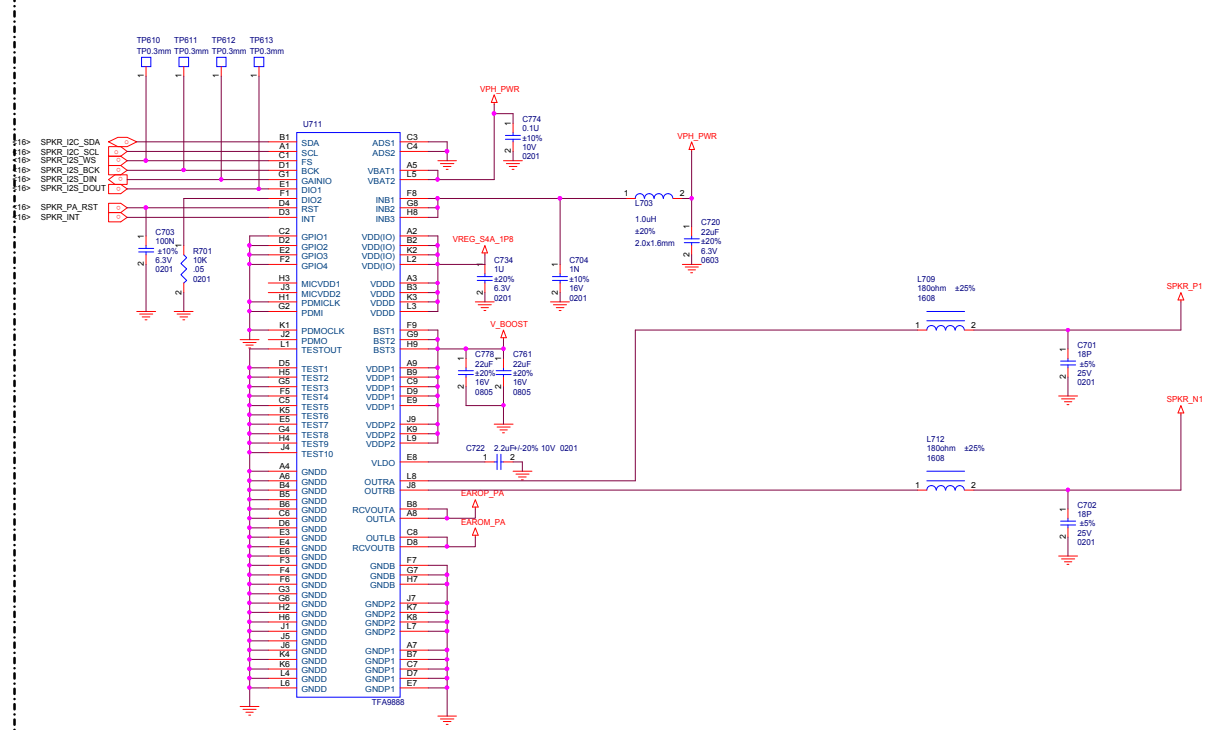
Title		
C1		
Size	Document Number	Rev
A3	SMB1381	P0
Date:	Tuesday, February 07, 2017	Sheet 34 of 42



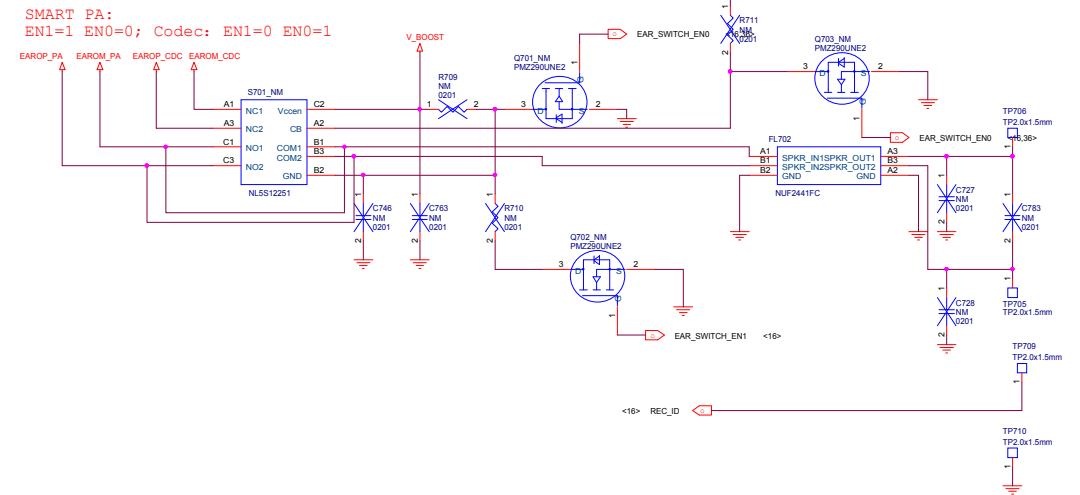
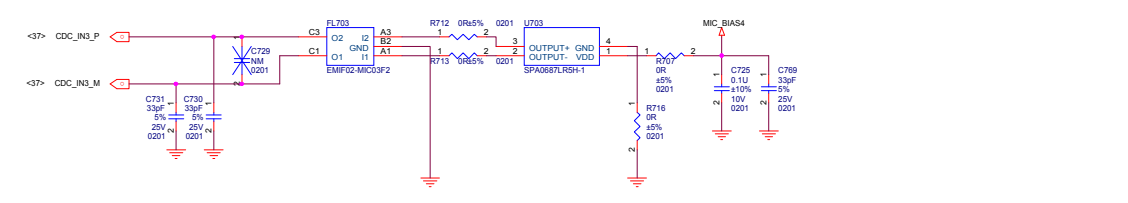
HEADSET



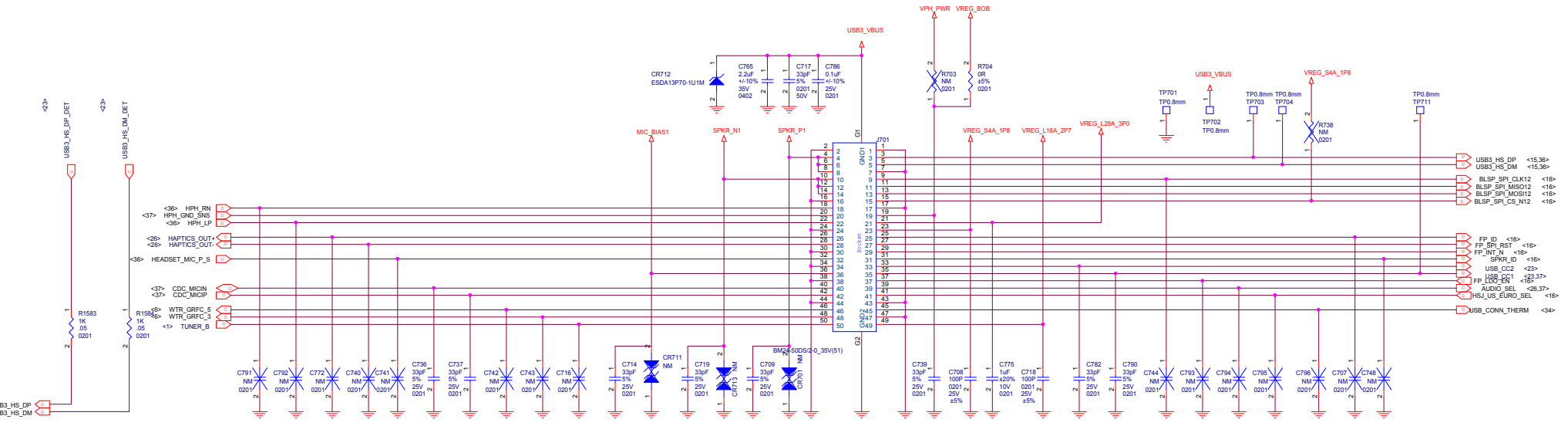
Speaker PA

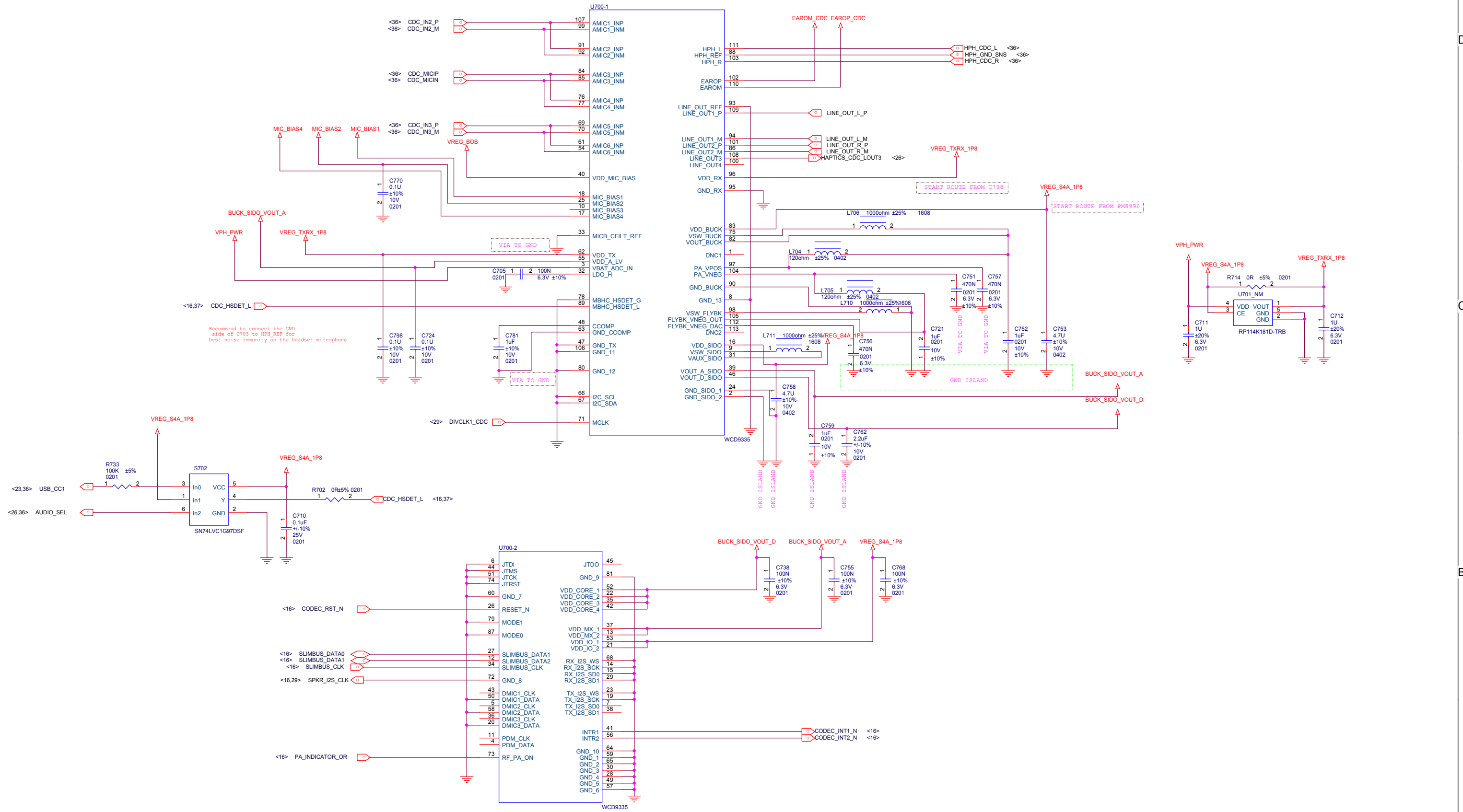


AUX Mic

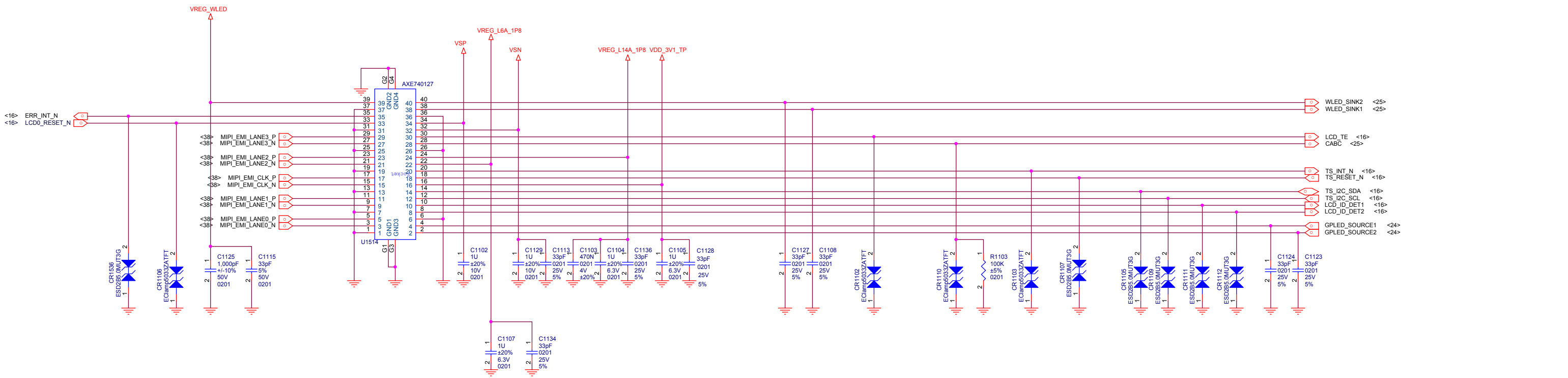
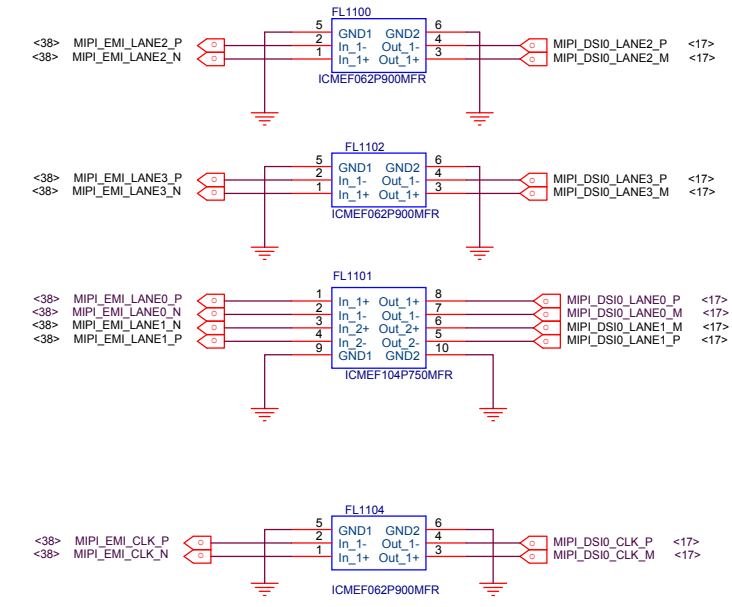
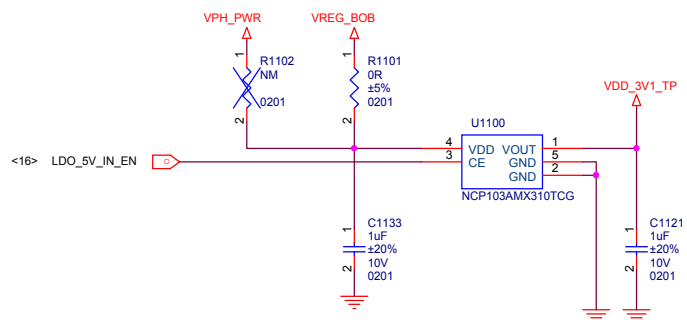


Bottom fpc Connector



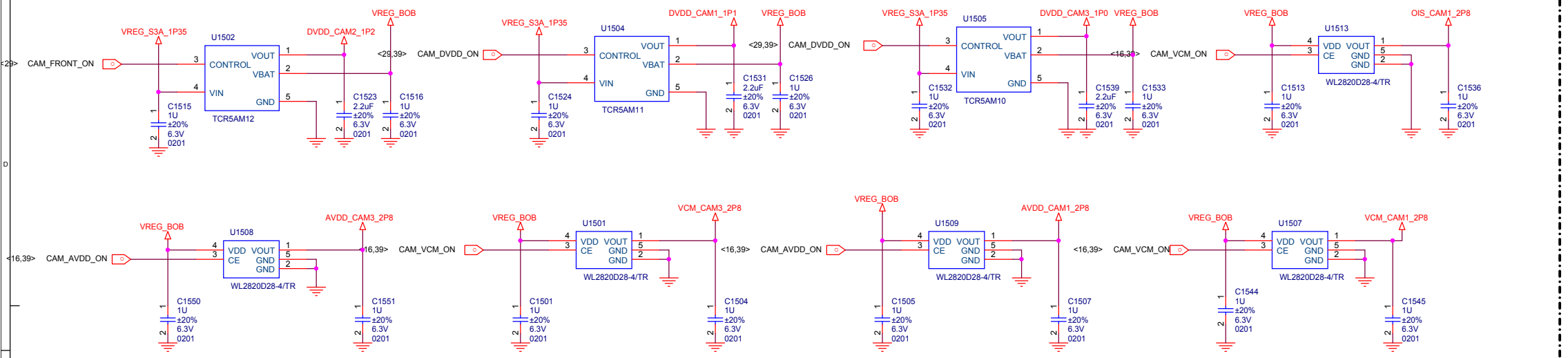


TP



Title			C1
Size	Document Number		Rev
A2	LCD		P0
Date:	Monday, January 16, 2017	Sheet	38 of 42

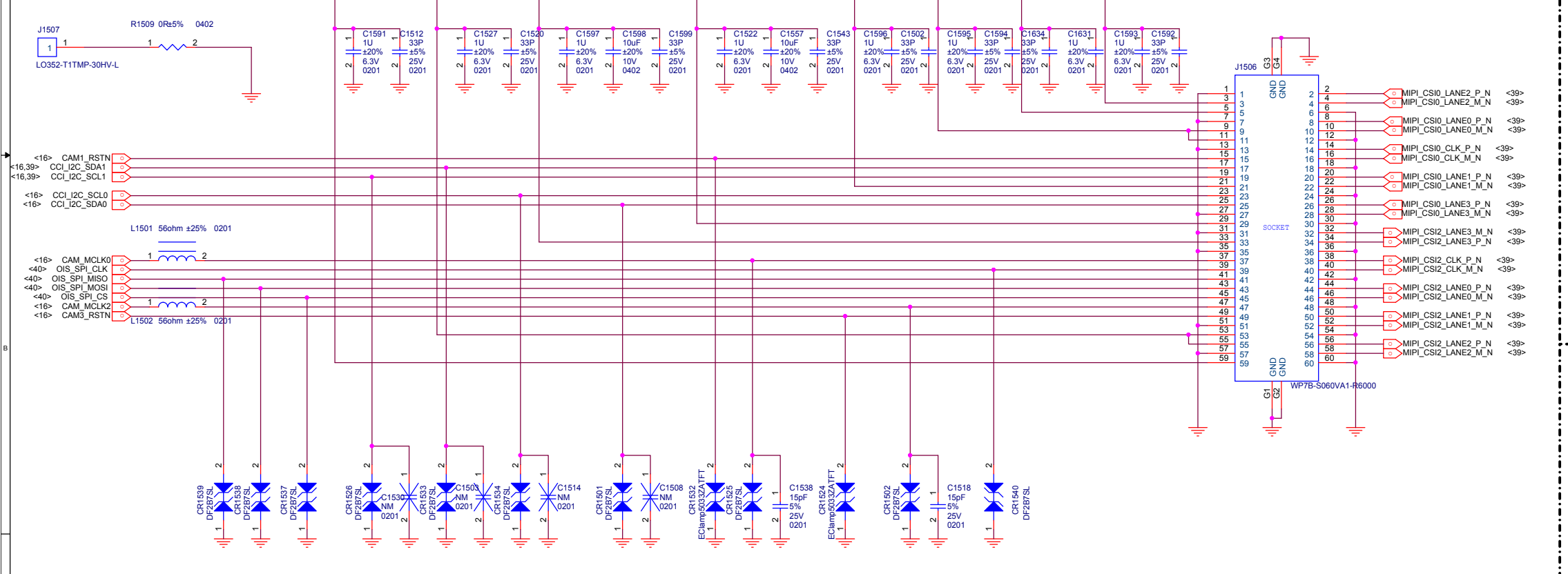
LDOs



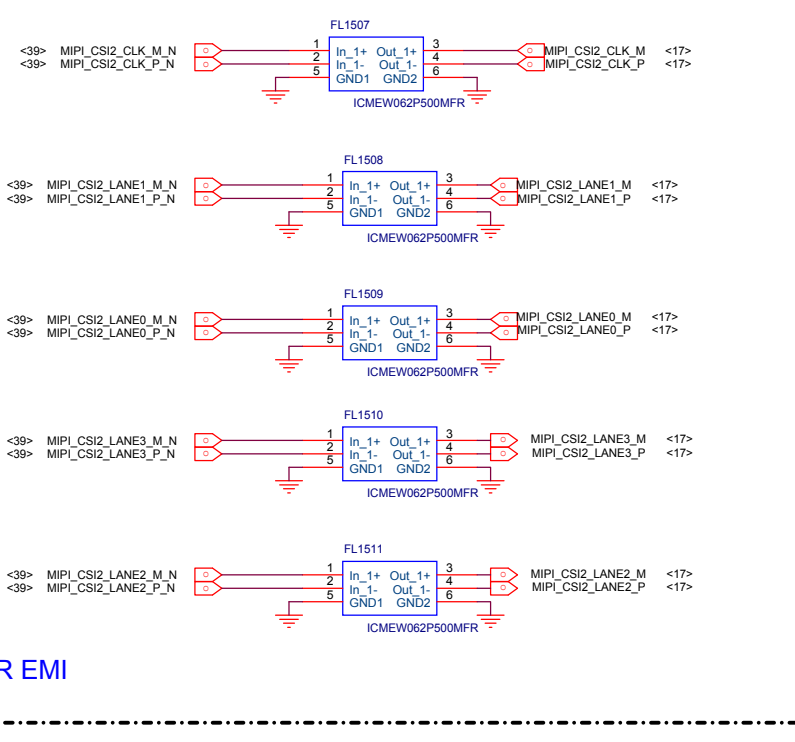
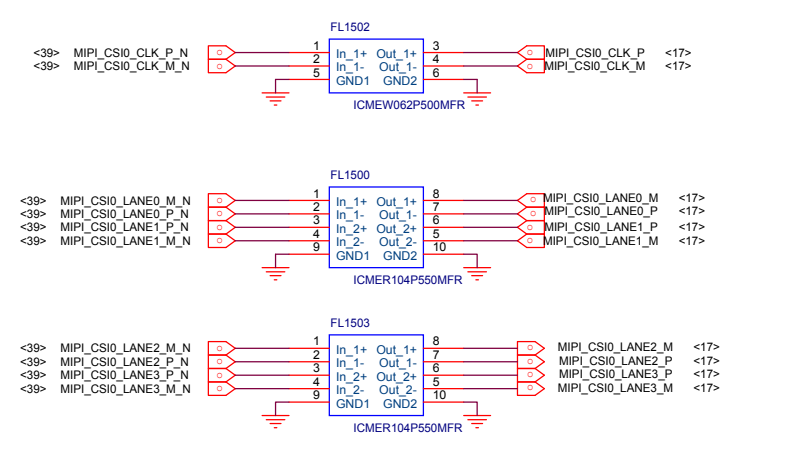
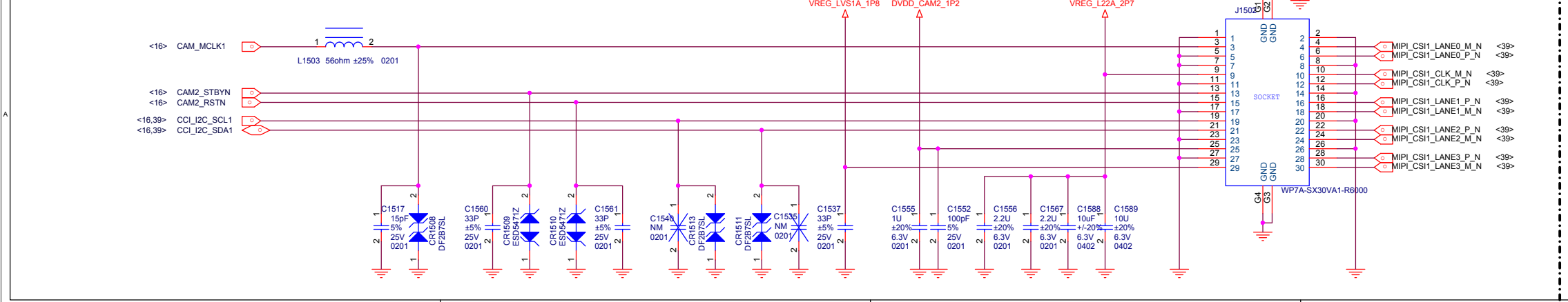
FLASH



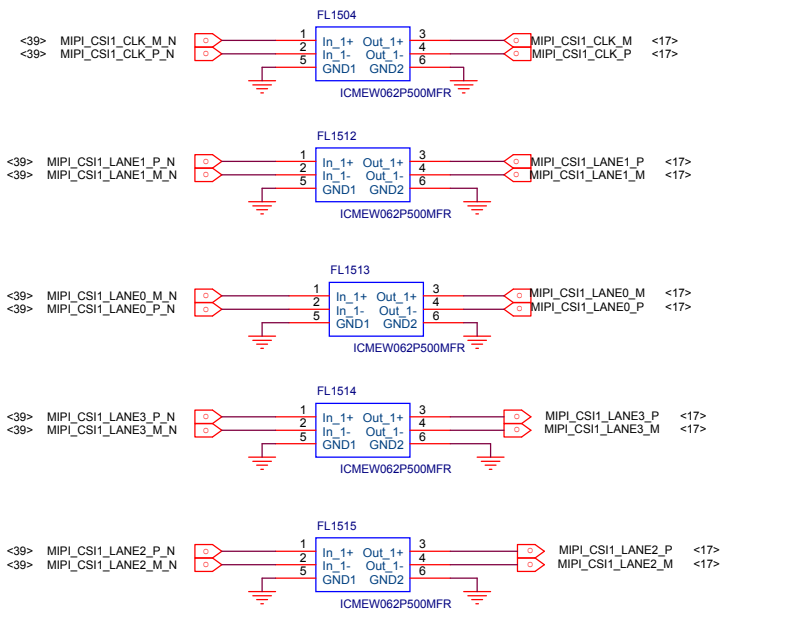
REAR CAMERA



FRONT CAMERA



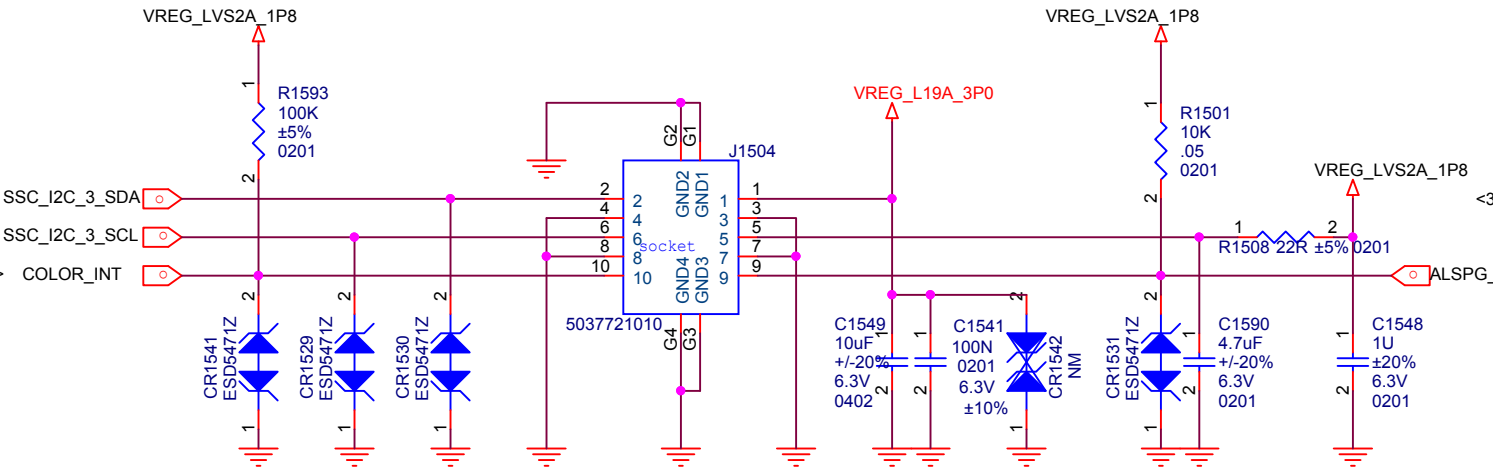
REAR EMI



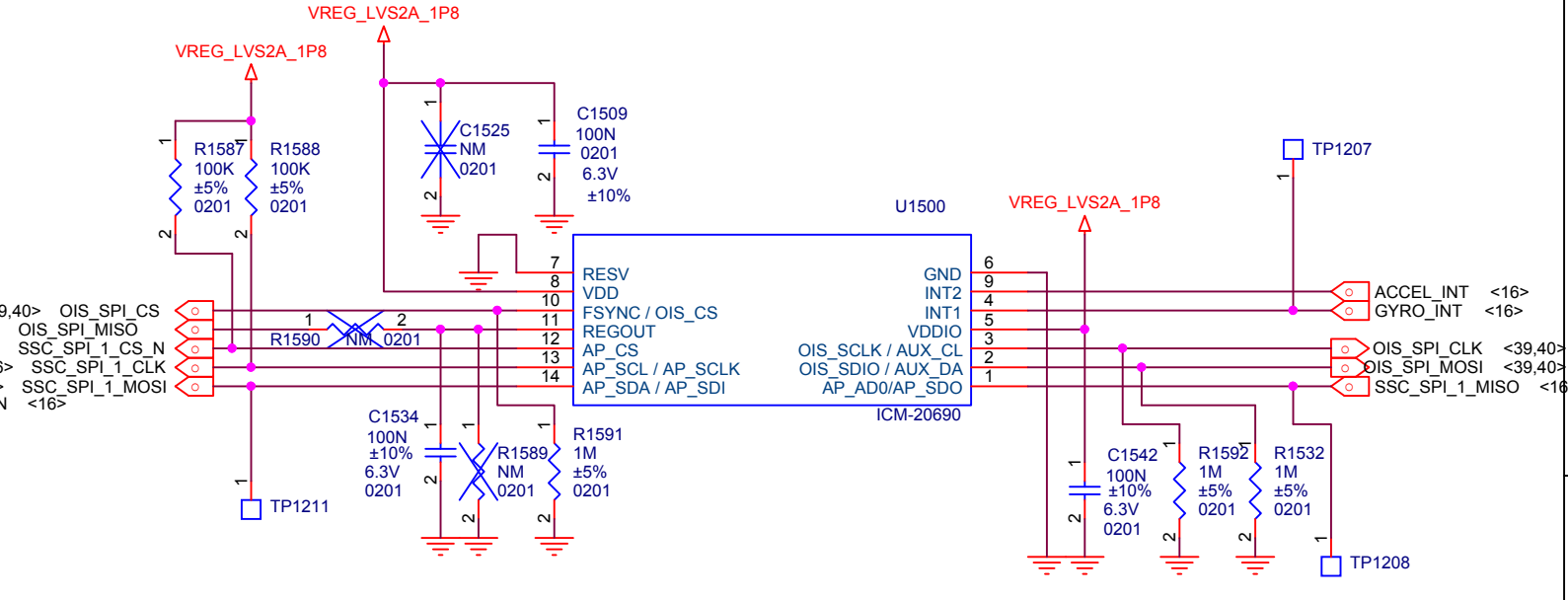
FRONT EMI

Title			C1
Size	A2	Document Number	
Date:		Sheet	39 of 42

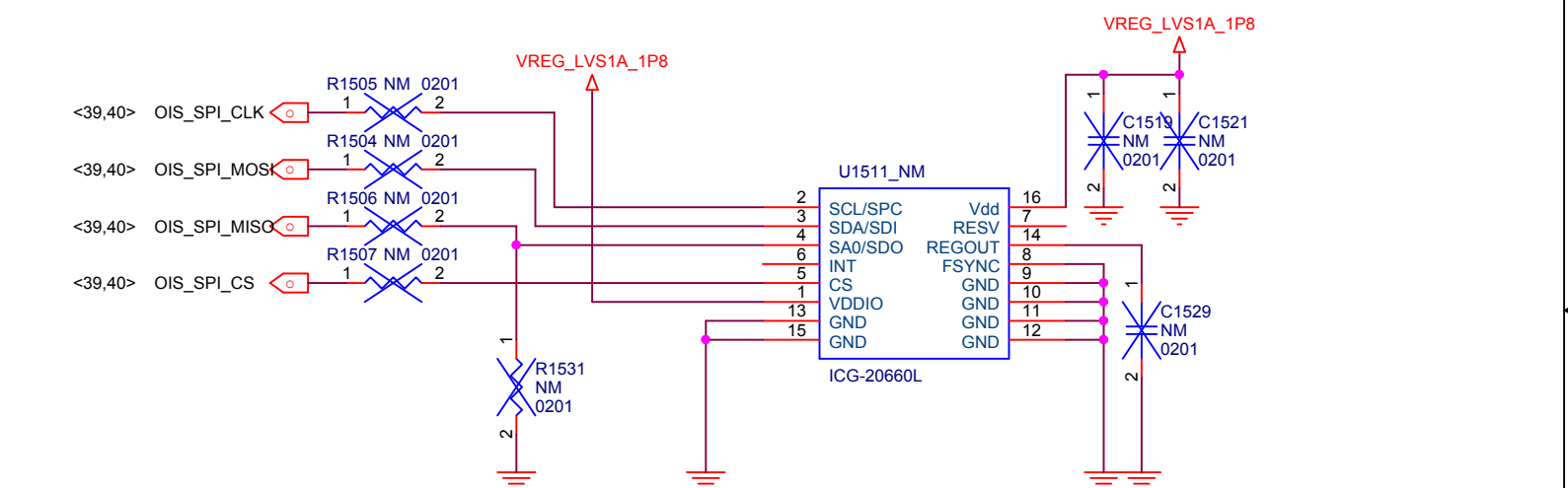
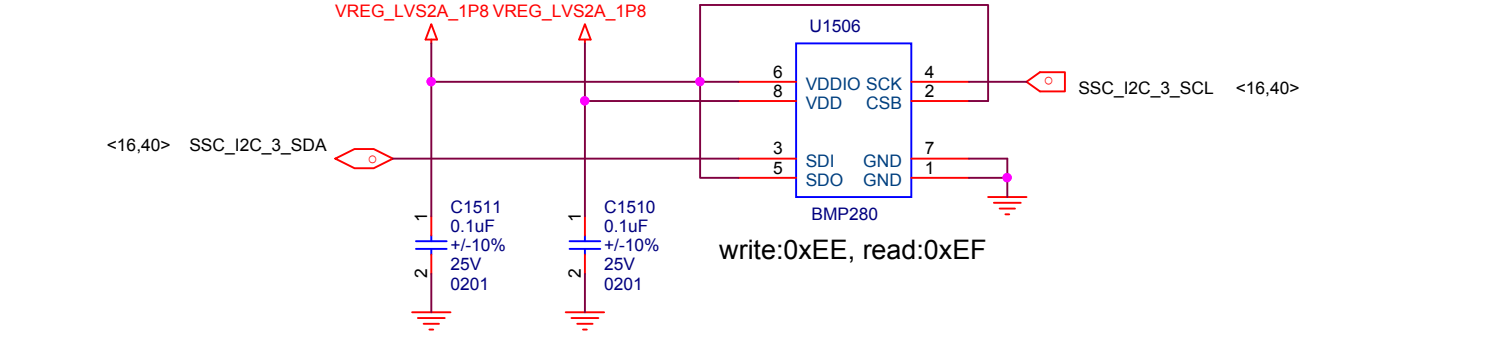
P-sensor



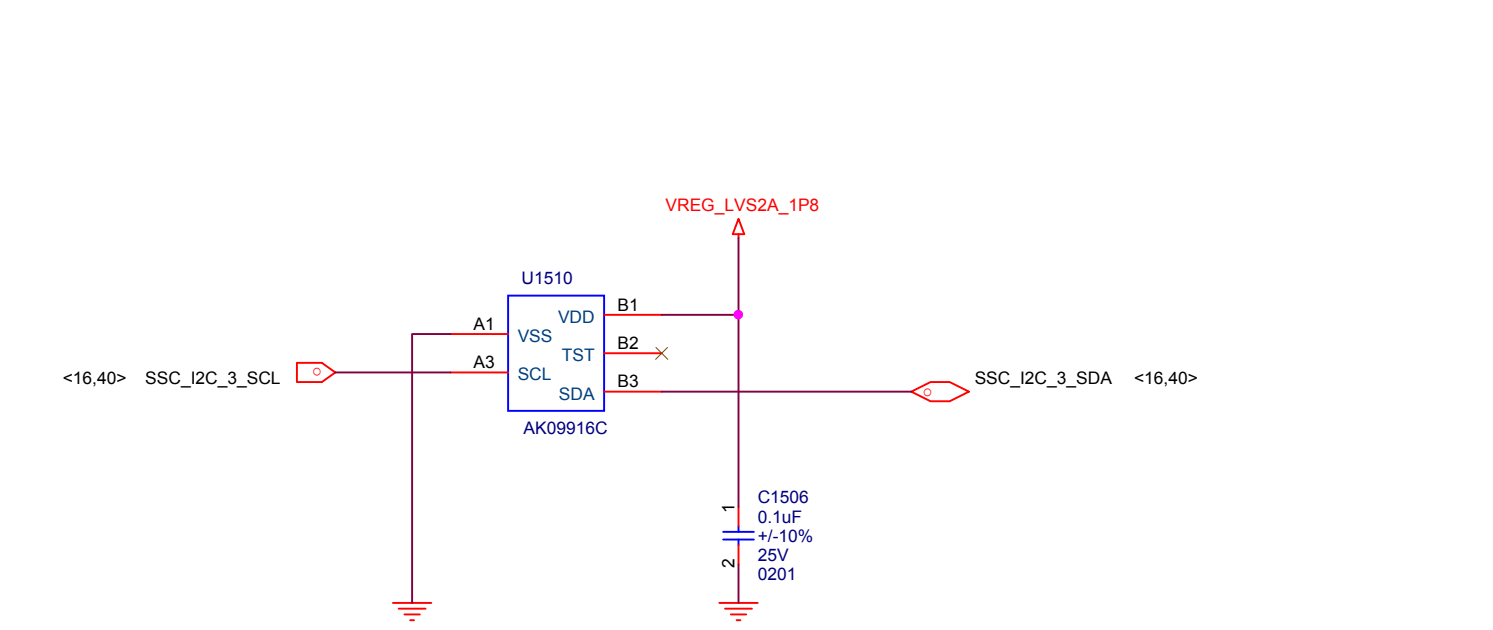
G+G



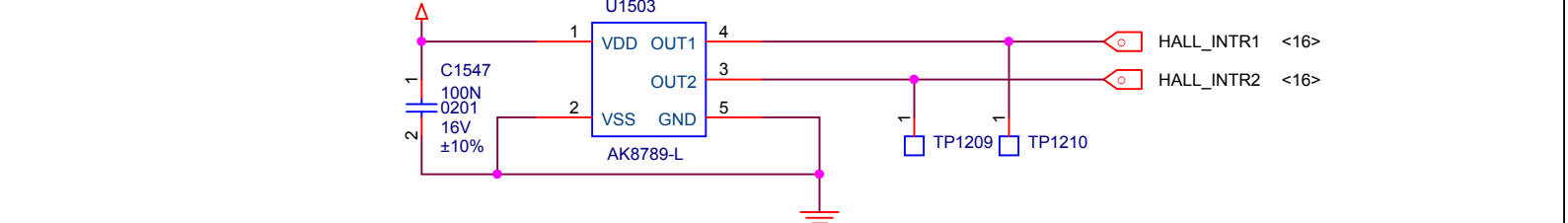
PRESSURE



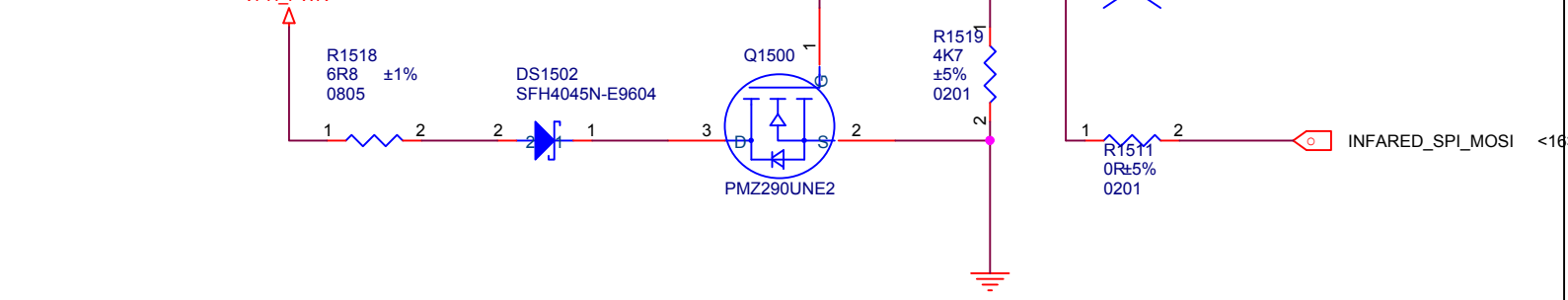
COMPASS



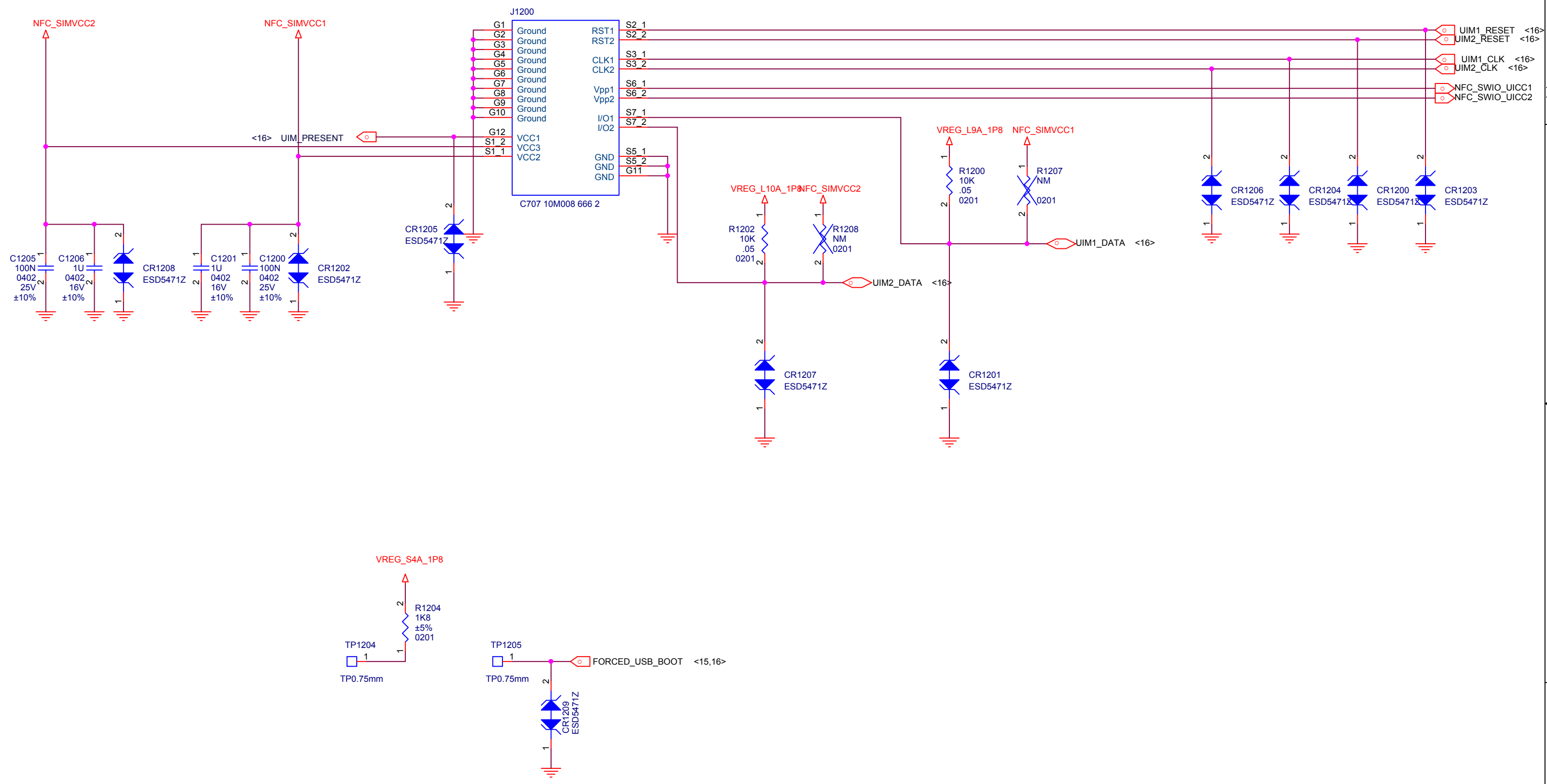
HALL



INFRAED



Title		
C1		
Size	Document Number	Rev
A3	SENSOR	P0
Date:	Sheet 40 of 42	



Title		
C1		
Size	Document Number	Rev
A3	SIM CONNECTOR	P0
Date:	Sheet	41 of 42