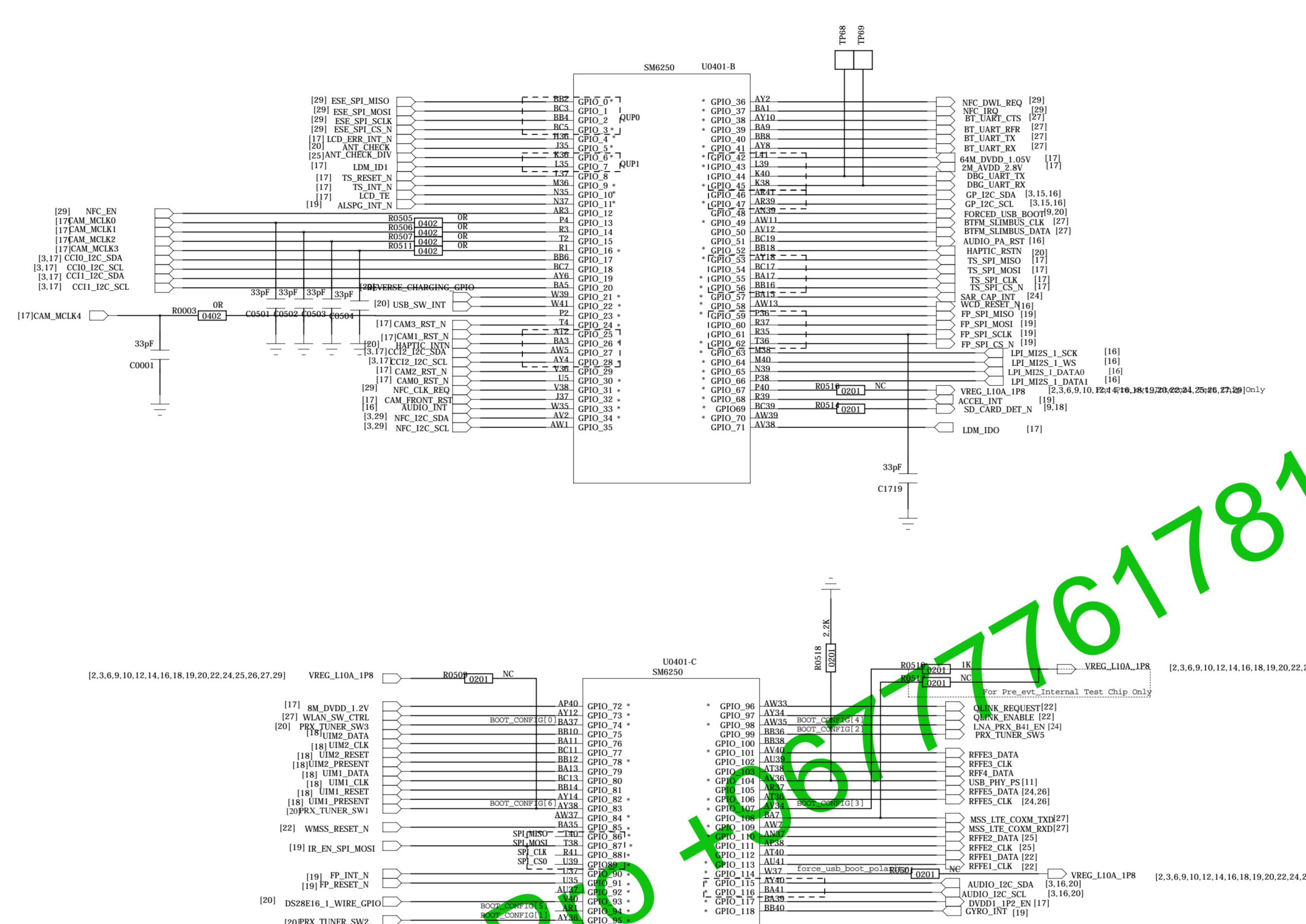


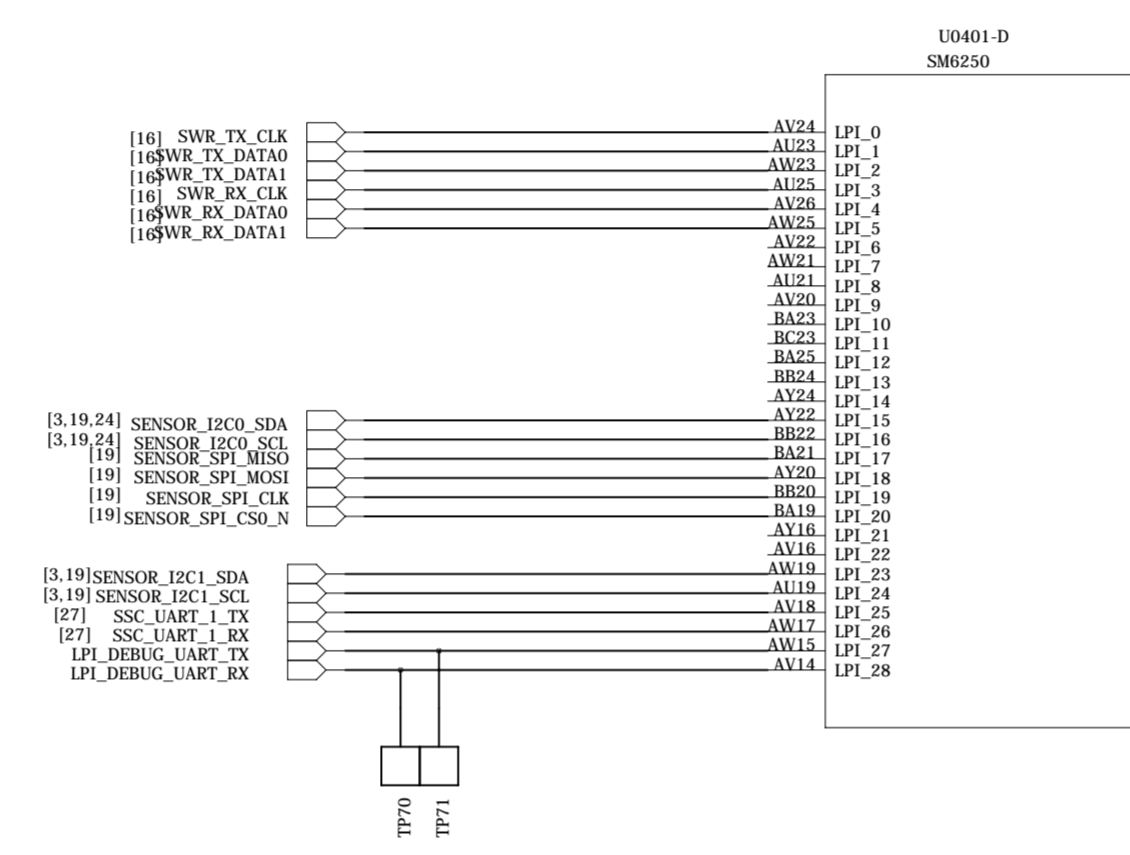
REVISION RECORD			
LR	ECO NO	APPROVED	DATE



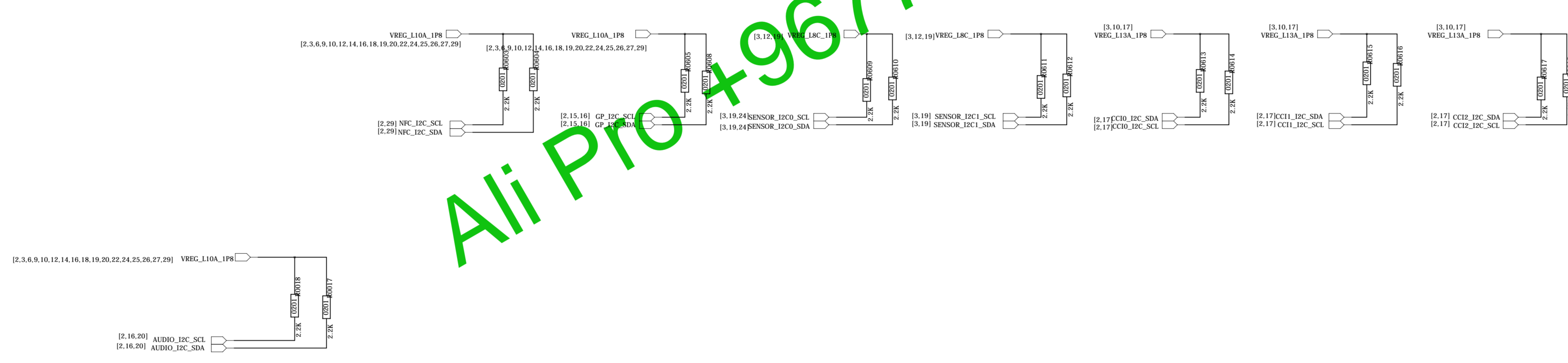
Ali PTO +96777617810

DRAWN		DATE		COMPANY	
<Drawn By>		<Drawn Date>		<Company Name>	
CHECKED		DATE		TITLE	
<Checked By>		<Checked Date>		<Title>	
QUALITY CONTROL		CODE	SIZE	DRAWING NO	REV
<QC By>		<Code>	A0	<Drawing Number>	<Revision>
RELEASED		DATE		SCALE	
<Released By>		<Release Date>		<Scale>	
				SHEET	30

REVISION REQUIRED			
ITW	ECO NO	APPROVED	DATE



I2C BUS PULL UPS



Ali Pro +967777617810

COMPANY: <Company Name>

TITLE: <Title>

DRAWN: <Drawn By>	DATE: <Drawn Date>	CODE	SIZE	DRAWING NO.	REV.
CHECKED: <Checked By>	DATE: <Checked Date>	<Code> A0<Drawing Number>Revision>			
QUALITY CONTROL: <QC By>	DATE: <QC Date>				
RELEASED: <Released By>	DATE: <Release Date>	SCALE: <Scale>	SHEET: 3 of 30		

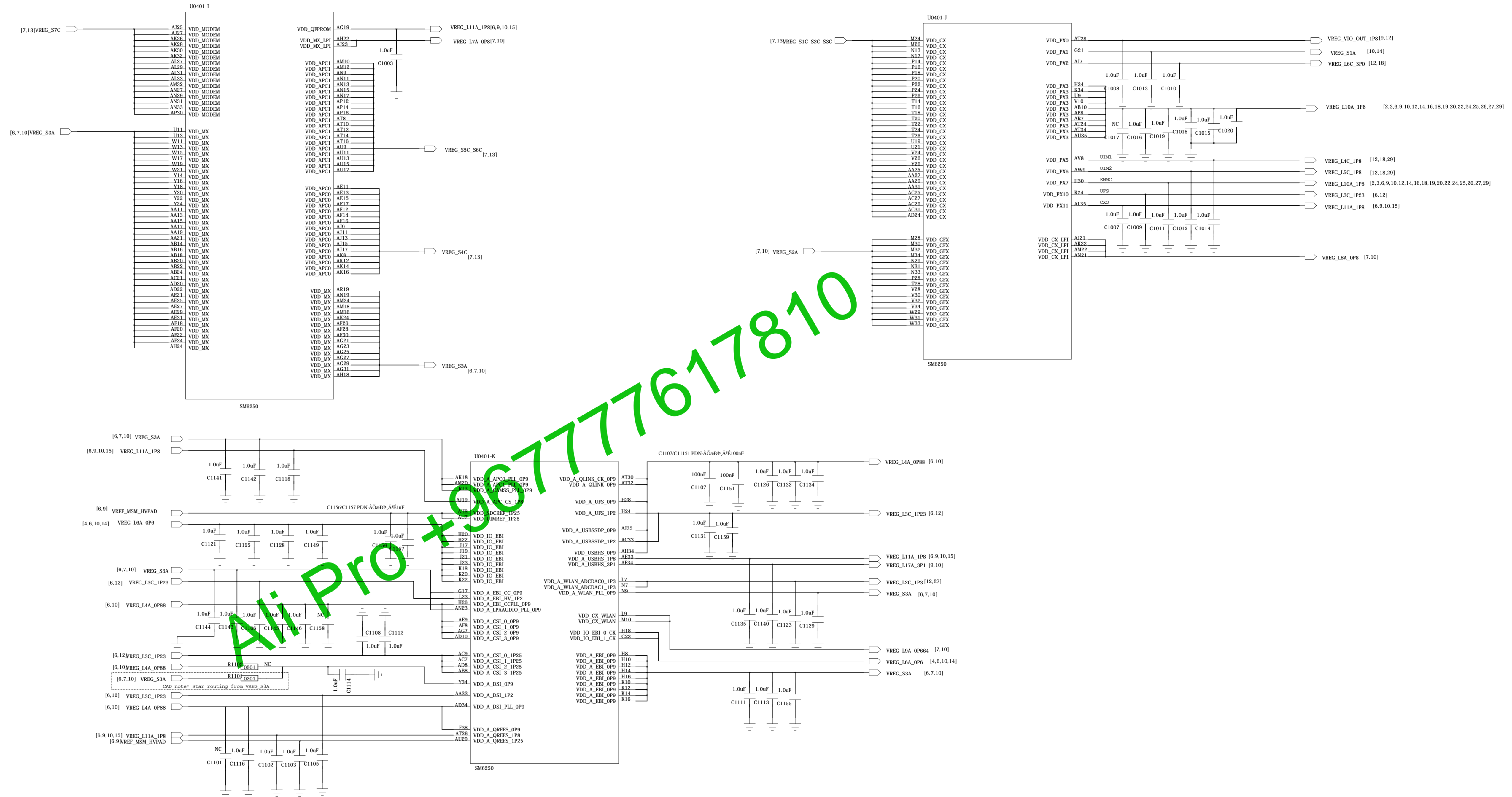
REVISION RECORD			
LTB	ECO NO.	APPROVED	DATE



Ali Pro +967777617810

DRAWN: <Drawn By>		DATED: <Drawn Date>		COMPANY: <Company Name>	
CHECKED: <Checked By>		DATED: <Checked Date>		TITLE: <Title>	
QUALITY CONTROL: <QC By>		DATED: <QC Date>		CODE: <Code>	SIZE: A0
RELEASED: <Released By>		DATED: <Release Date>		SCALE: <Scale>	DRAWING NO. <Drawing Number>
				REV: <Revision>	SHEET: 4 of 30

REVISION RECORD			
REV	ECO NO	APPROVED	DATE



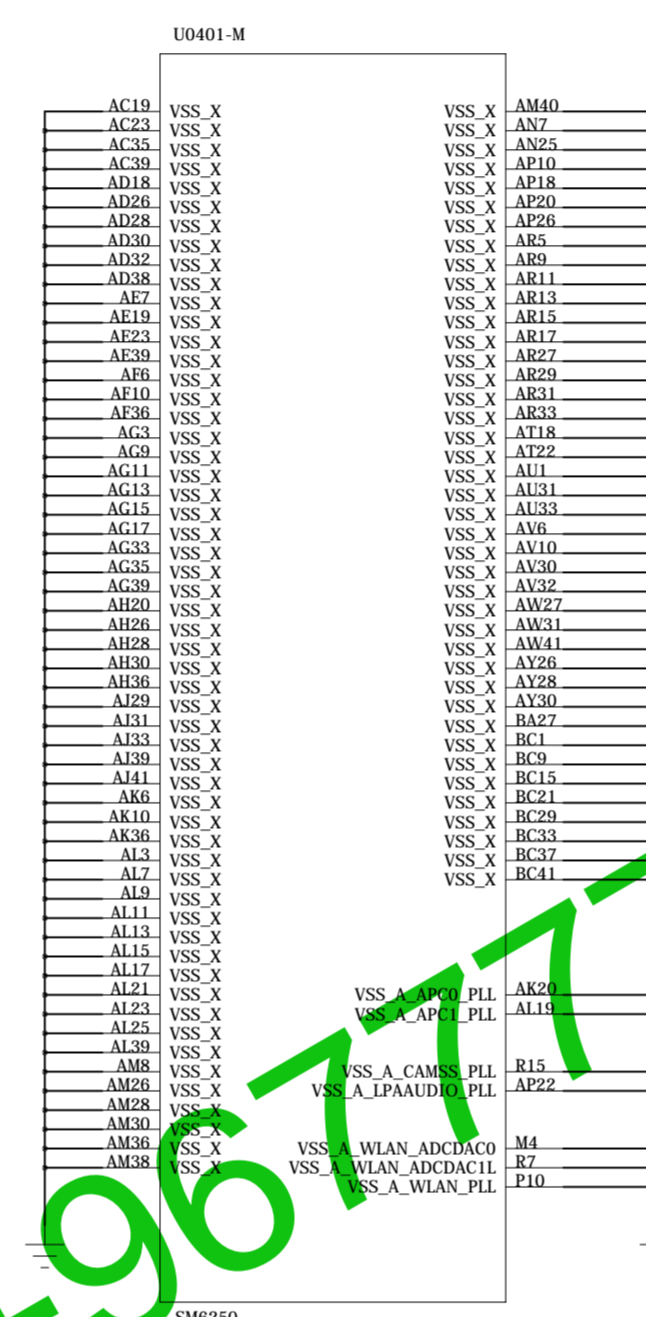
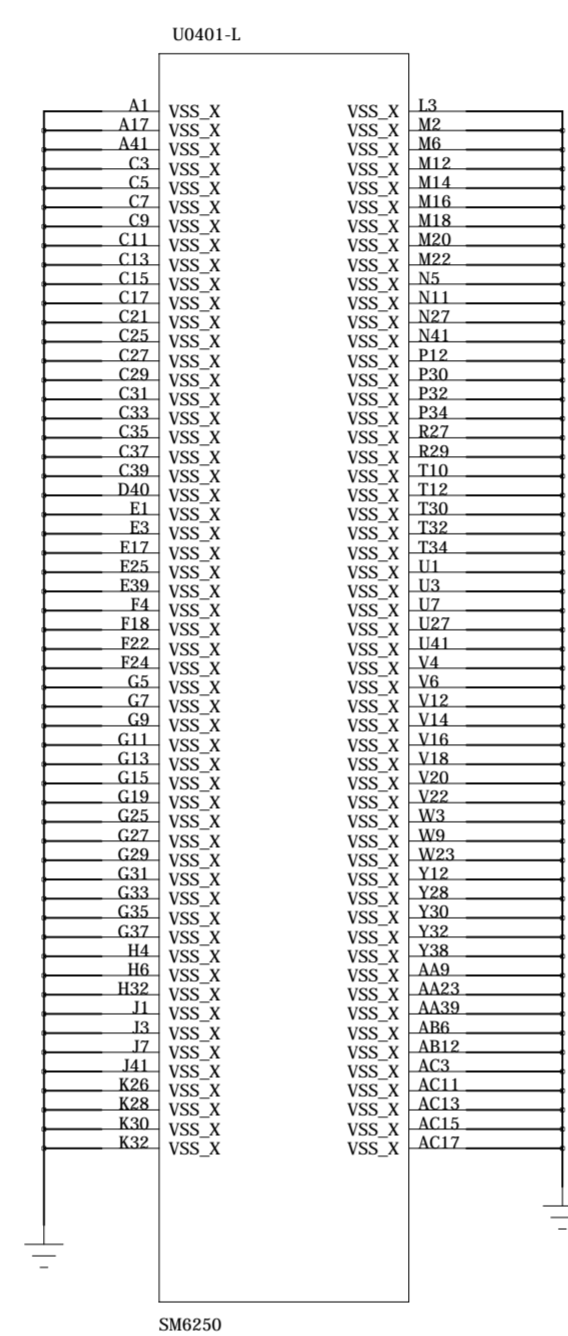
DRAWN: <Drawn By>		DATE: <Drawn Date>		COMPANY: <Company Name>	
CHECKED: <Checked By>		DATE: <Checked Date>		TITLE: <Title>	
QUANTITY CONTROL:	<QC By>	DATE:	<QC Date>	CODE:	
RELEASED:	<Released By>	DATE:	<Release Date>	SIZE:	A0-Drawing Number
SCALE: <Scale>				DRAWING NO:	
SHEET: 6 of 30				REV:	

REVISION RECORD			
TR	ECO NO.	APPROVED	DATE



DRAWN: <Drawn By>		DATED: <Drawn Date>		COMPANY: <Company Name>	
CHECKED: <Checked By>		DATED: <Checked Date>		TITLE: <Title>	
QUALITY CONTROL: <QC By>		DATED: <QC Date>		CODE: <Code>	SIZE: A0
RELEASED: <Released By>		DATED: <Release Date>		DRAWING NO.: <Drawing Number>	
		SCALE: <Scale>		REV: <Revision>	
				SHEET: 7 of 30	

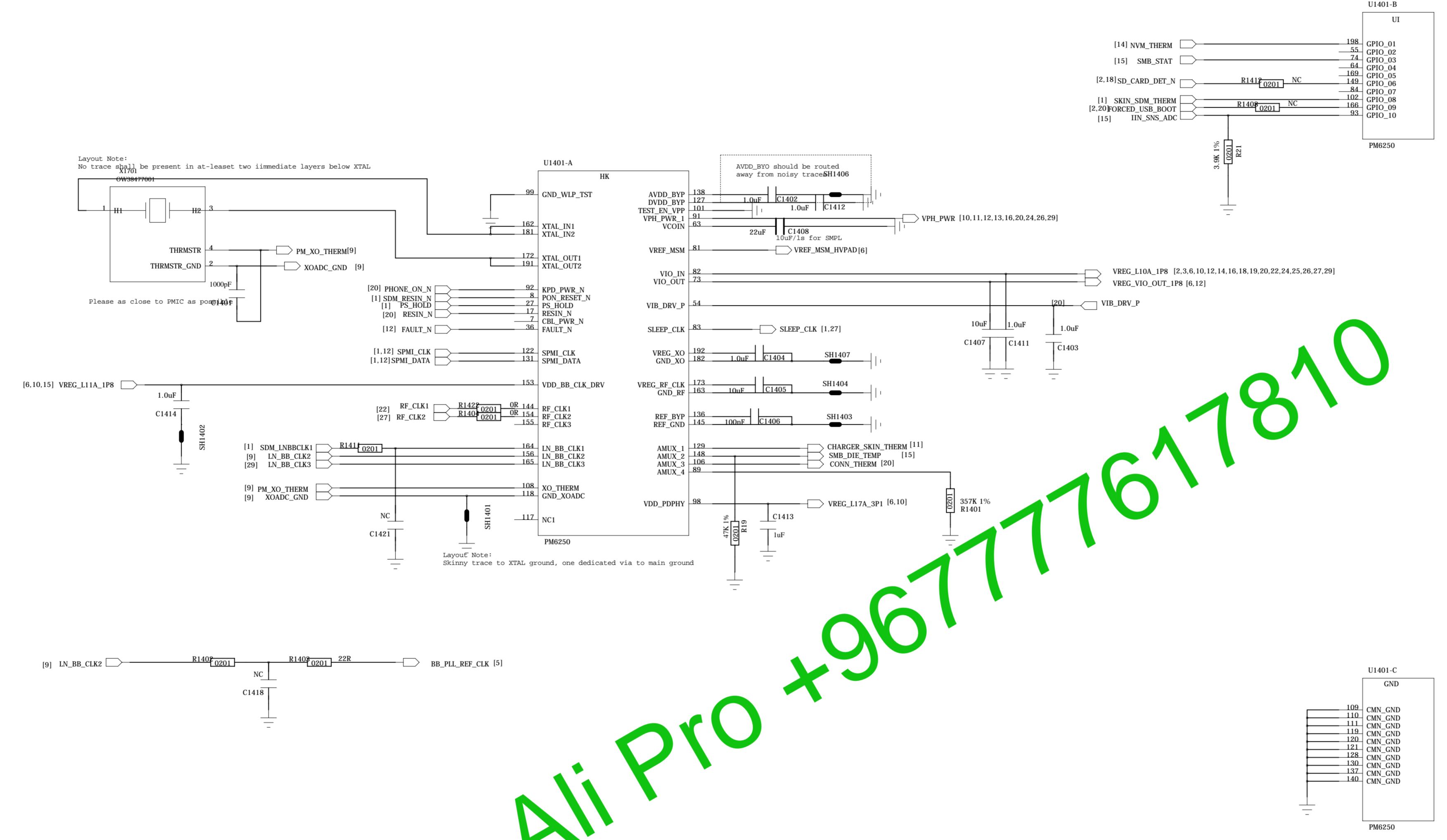
REVISION RECORD			
LT#	REV. NO.	APPROVED	DATE



Ali Pro +967777617810

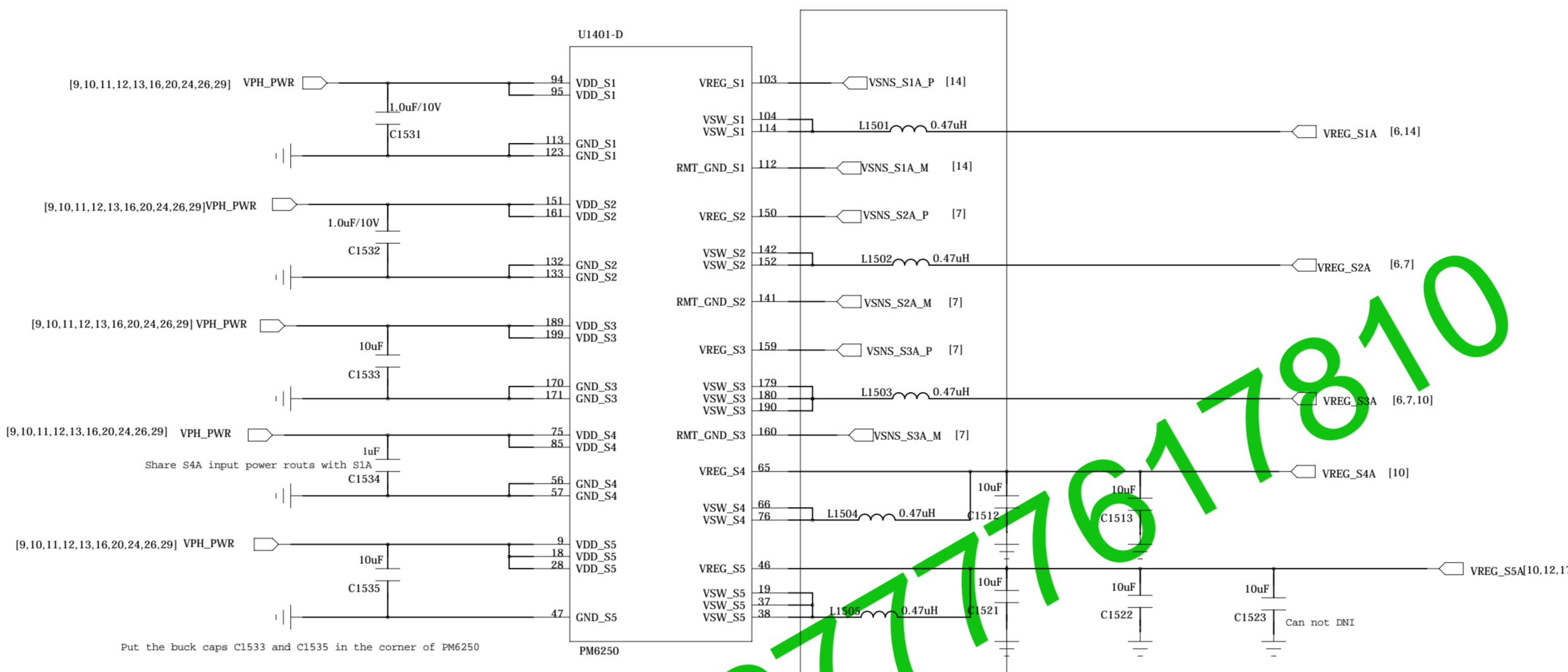
DRAWN: <Drawn By>		DATE: <Drawn Date>		COMPANY: <Company Name>			
CHECKED: <Checked By>		DATE: <Checked Date>		TITLE: <Title>			
QUALITY CONTROL: <QC By>		DATE: <QC Date>		CODE	SIZE	DRAWING NO.	REV.
RELEASED: <Released By>		DATE: <Release Date>		SCALE: <Scale>		A0<Drawing Number>Revision>	
				SHEET 8		30	

REVISION RECORD			
REV	REV NO.	APPROVED	DATE

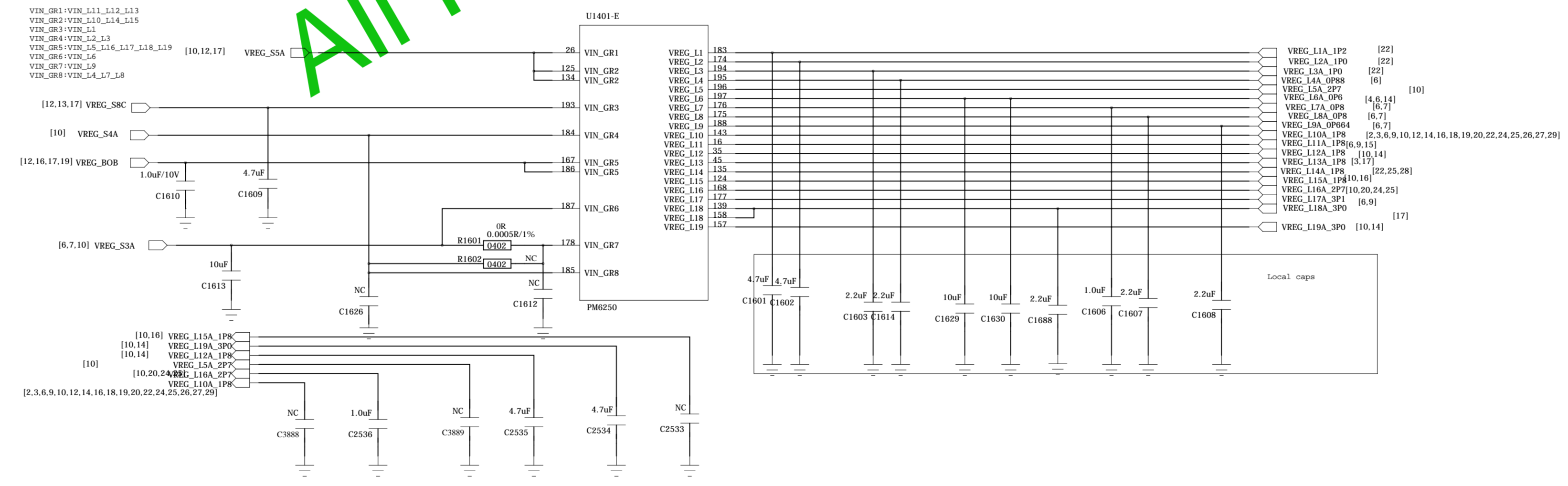


DRAWN: <Drawn By>		DATE: <Drawn Date>		COMPANY: <Company Name>			
CHECKED: <Checked By>		DATE: <Checked Date>		TITLE: <Title>			
QUALITY CONTROL: <QC By>		DATE: <QC Date>		CODE: <Code>	SIZE: A0	DRAWING NO: <Drawing Number>	REV: <Revision>
RELEASED: <Released By>		DATE: <Release Date>		SCALE: <Scale>		SHEET: 9 of 30	

REVISION RECORD			
LTB	ECO NO.	APPROVED	DATE



Ali Pro +96777617810



Pseudo symbols allow users to place the LDO output capacitor physically/electrically far from the LDO output, near the load. The routing R55, R56 between the PMIC pin and the remote cap should meet the capacitor LDO specs. All PMIC LDOs are considered pseudo-coupled unless it has internal PMIC load. If an internal PMIC load, the output cap must be placed close to the PMIC. Required capacitance for each LDO type can be found in our white paper (07/13/12).

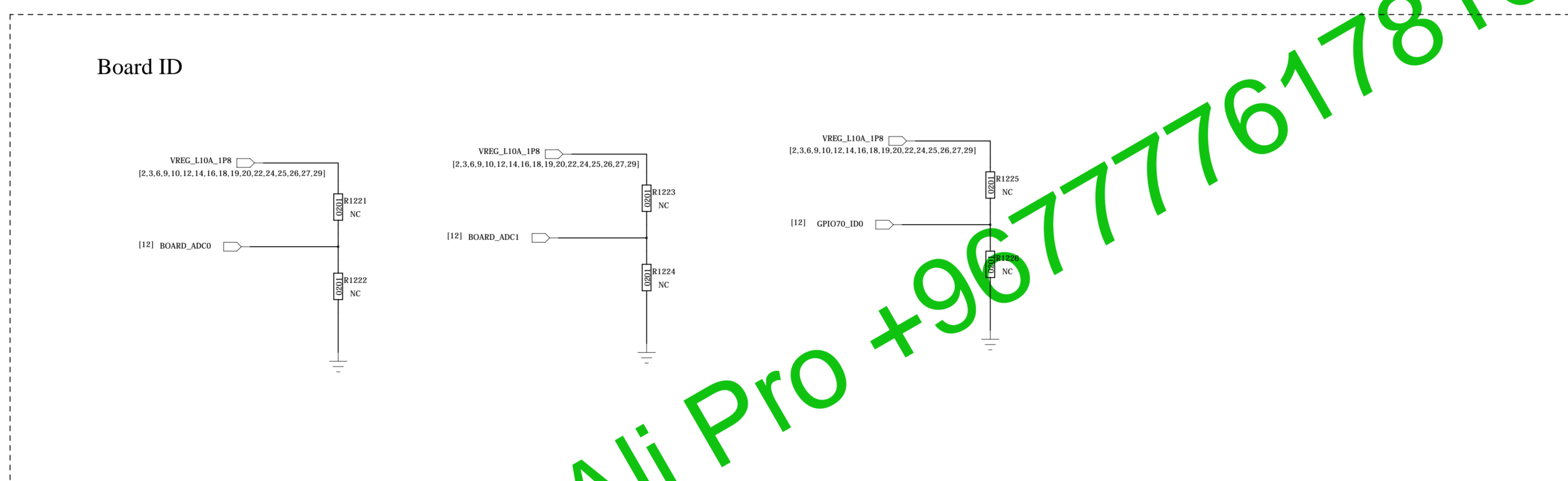
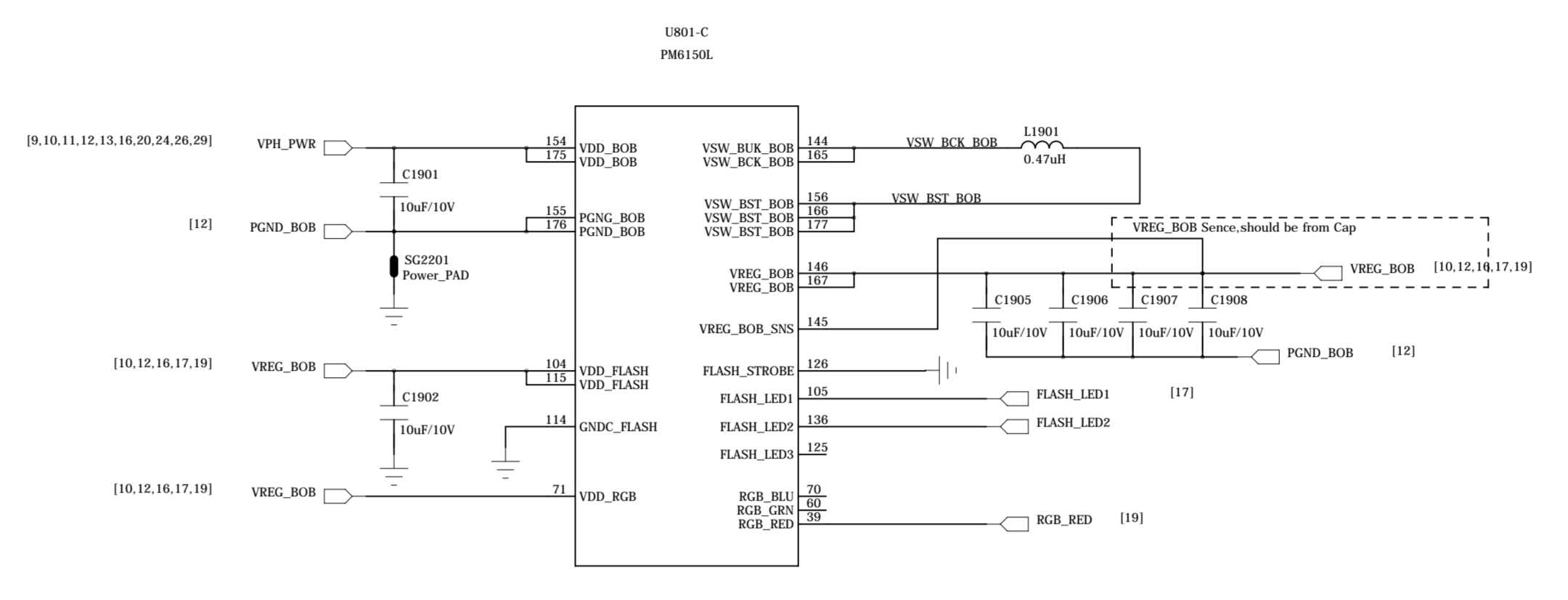
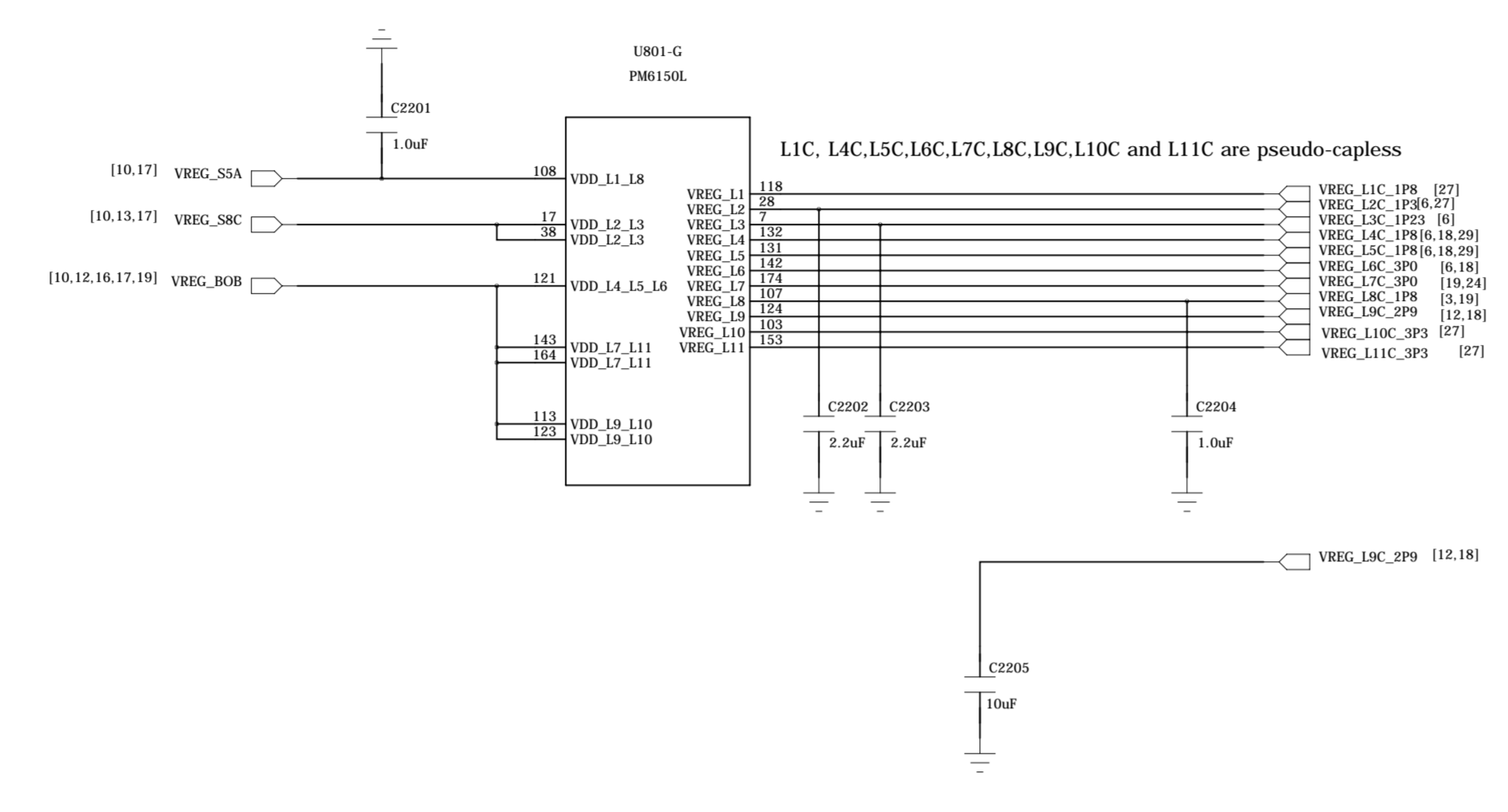
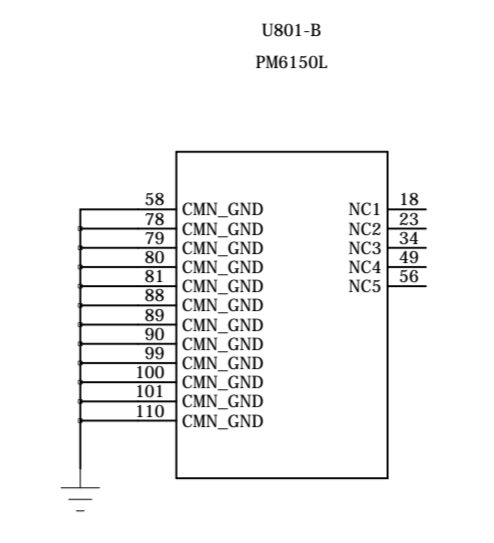
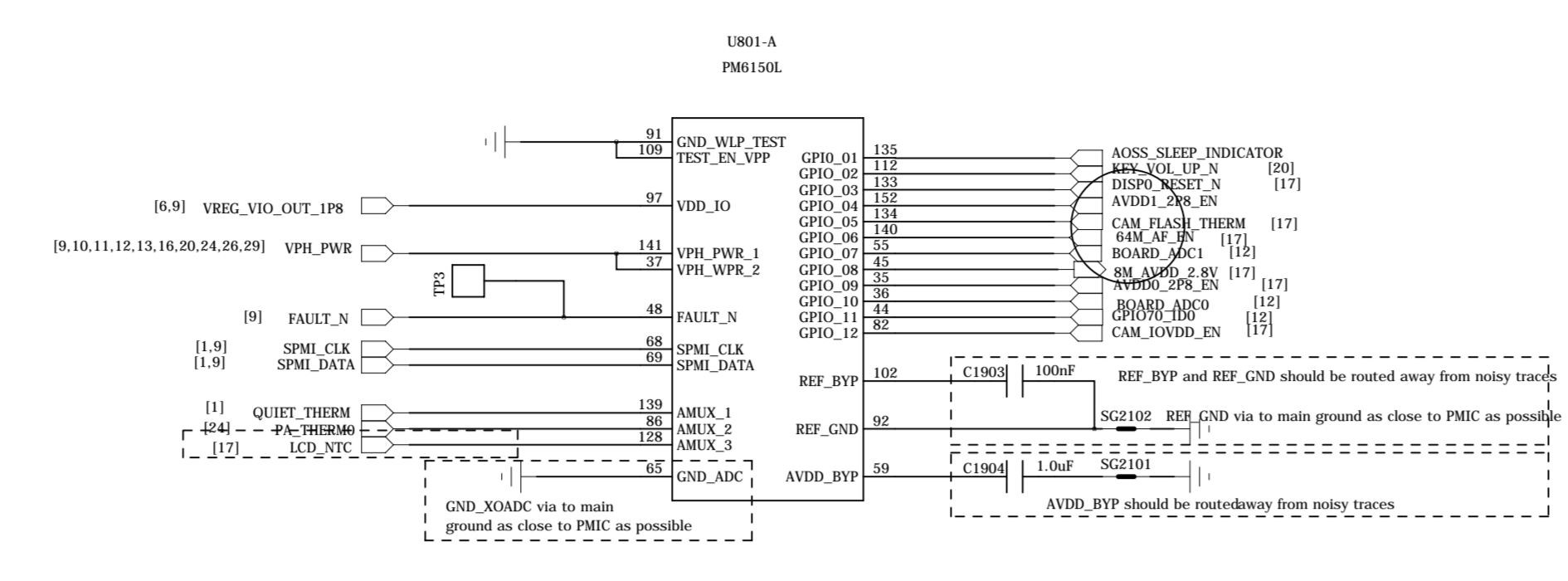
COMPANY: <Company Name>

TITLE: <Title>

DRAWN: <Drawn By>	DATED: <Drawn Date>	CODE	SIZE	DRAWING NO.	REV
CHECKED: <Checked By>	DATED: <Checked Date>				
QUALITY CONTROL: <QC By>	DATED: <QC Date>				
RELEASED: <Released By>	DATED: <Release Date>				

< Code > A0 < Drawing Number Revision >

REVISION RECORD			
REV	ECO NO.	APPROVED	DATE



Ali Pro +967777617810

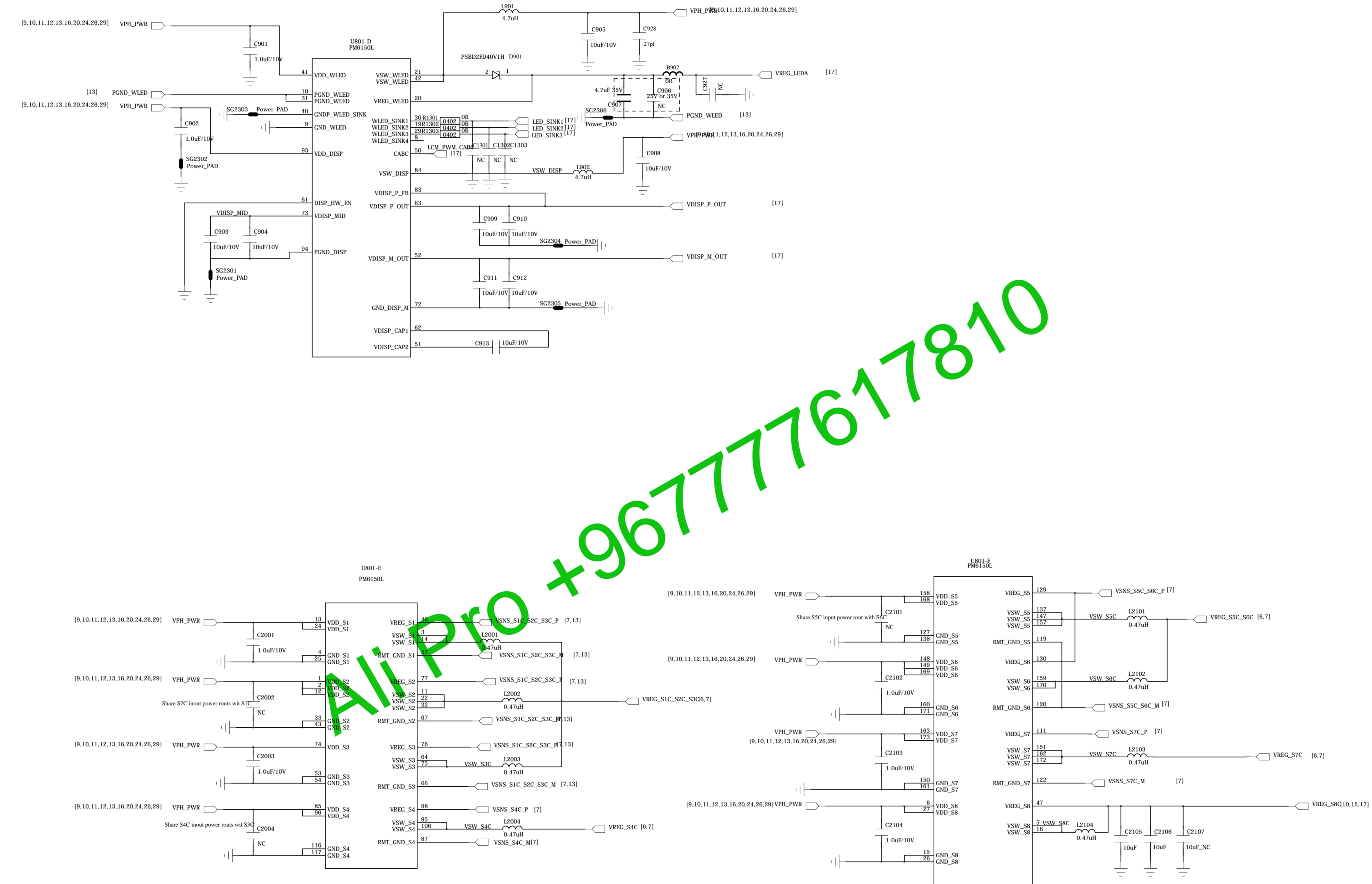
COMPANY: <Company Name>

TITLE: <Title>

DRAWN: <Drawn By>	DATE: <Drawn Date>	CODE:	SIZE:	DRAWING NO:	REV:
CHECKED: <Checked By>	DATE: <Checked Date>				
QUALITY CONTROL: <QC By>	DATE: <QC Date>				
RELEASED: <Released By>	DATE: <Release Date>	SCALE: <Scale>		SHEET 18 30	

<Code> A0<Drawing Number>Revision

REVISION RECORD			
REV	ECO NO	APPROVED	DATE



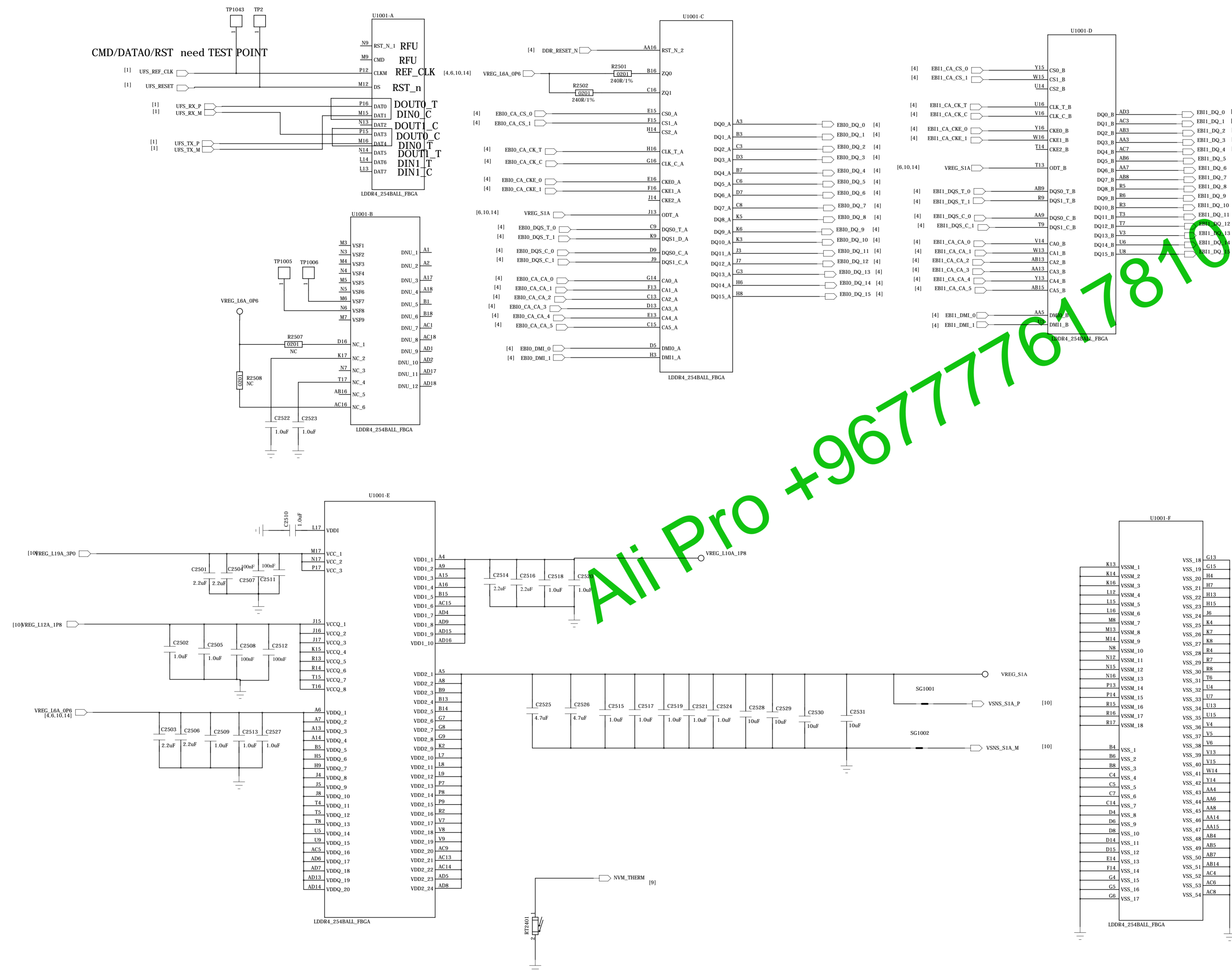
COMPANY: <Company Name>

TITLE: <Title>

DRAWN	DATE	CHECKED	DATE	QUALITY CONTROL	DATE	RELEASED	DATE
<Drawn By>	<Drawn Date>	<Checked By>	<Checked Date>	<QC By>	<QC Date>	<Released By>	<Release Date>

CODE	SIZE	DRAWING NO	REV
<Code>	A0	<Drawing Number>	<Revision>

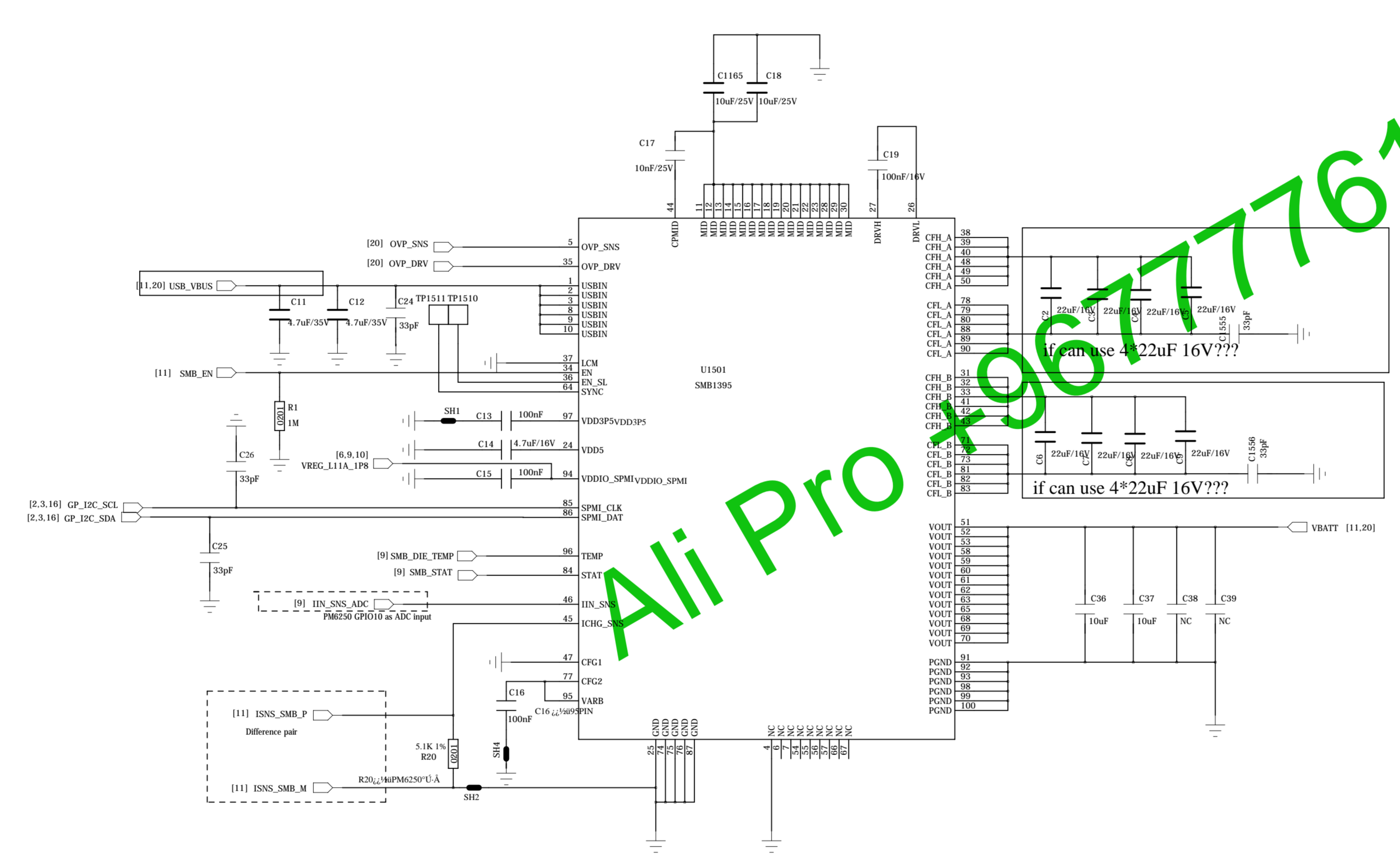
REVISION RECORD			
LT#	ECO NO.	APPROVED	DATE



Ali Pro +967777617810

COMPANY: <Company Name>				
TITLE: <Title>				
DRAWN: <Drawn By>	DATE: <Drawn Date>	CODE: <Code>	SIZE: A0	DRAWING NO: Drawing Number
CHECKED: <Checked By>	DATE: <Checked Date>	SCALE: <Scale>	REV: <Revision>	
QUALITY CONTROL: <QC By>	DATE: <QC Date>			
RELEASED: <Released By>	DATE: <Release Date>			

REVISION RECORD			
REV	ECO NO.	APPROVED	DATE

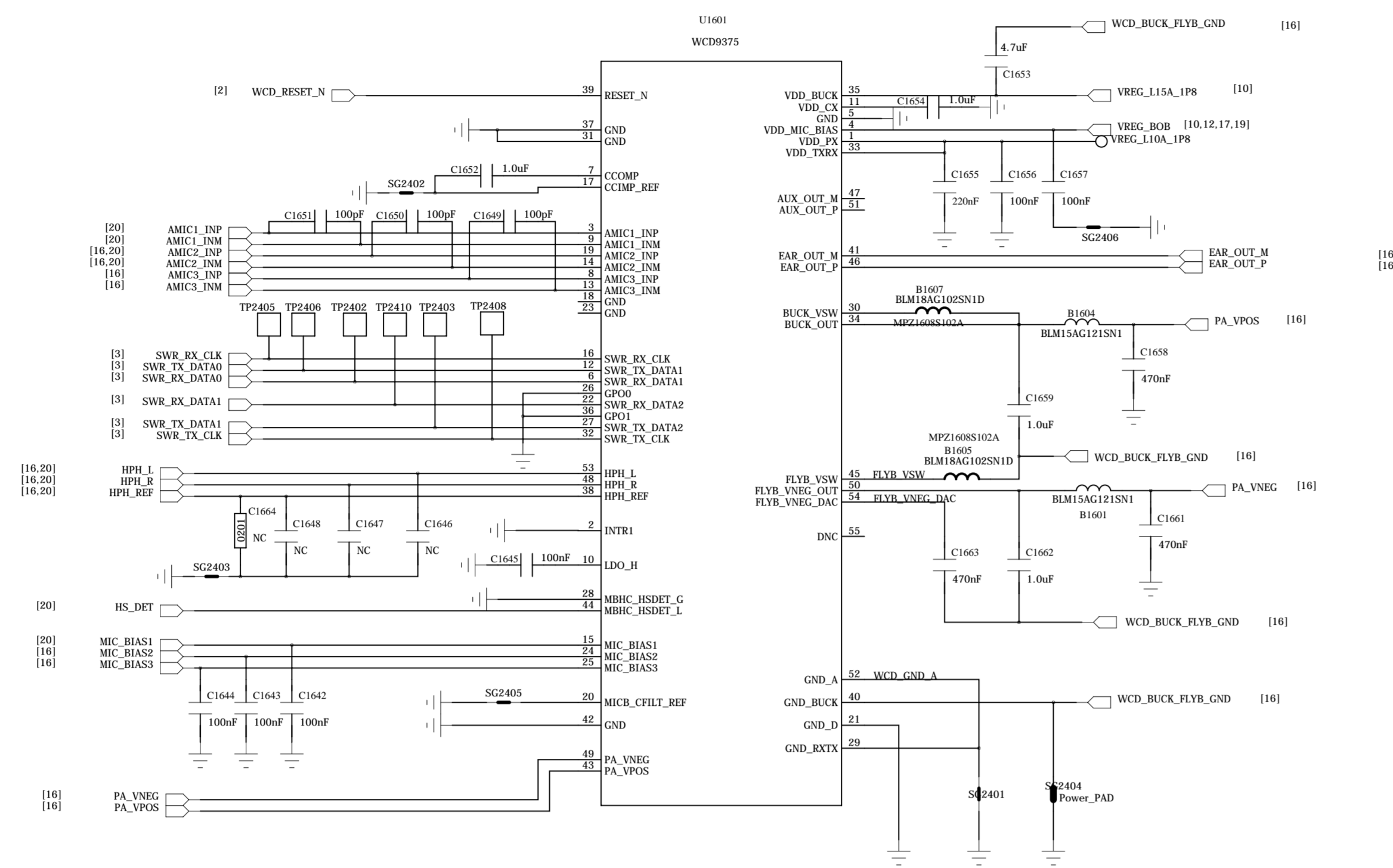


Ali Pro 1961777617810

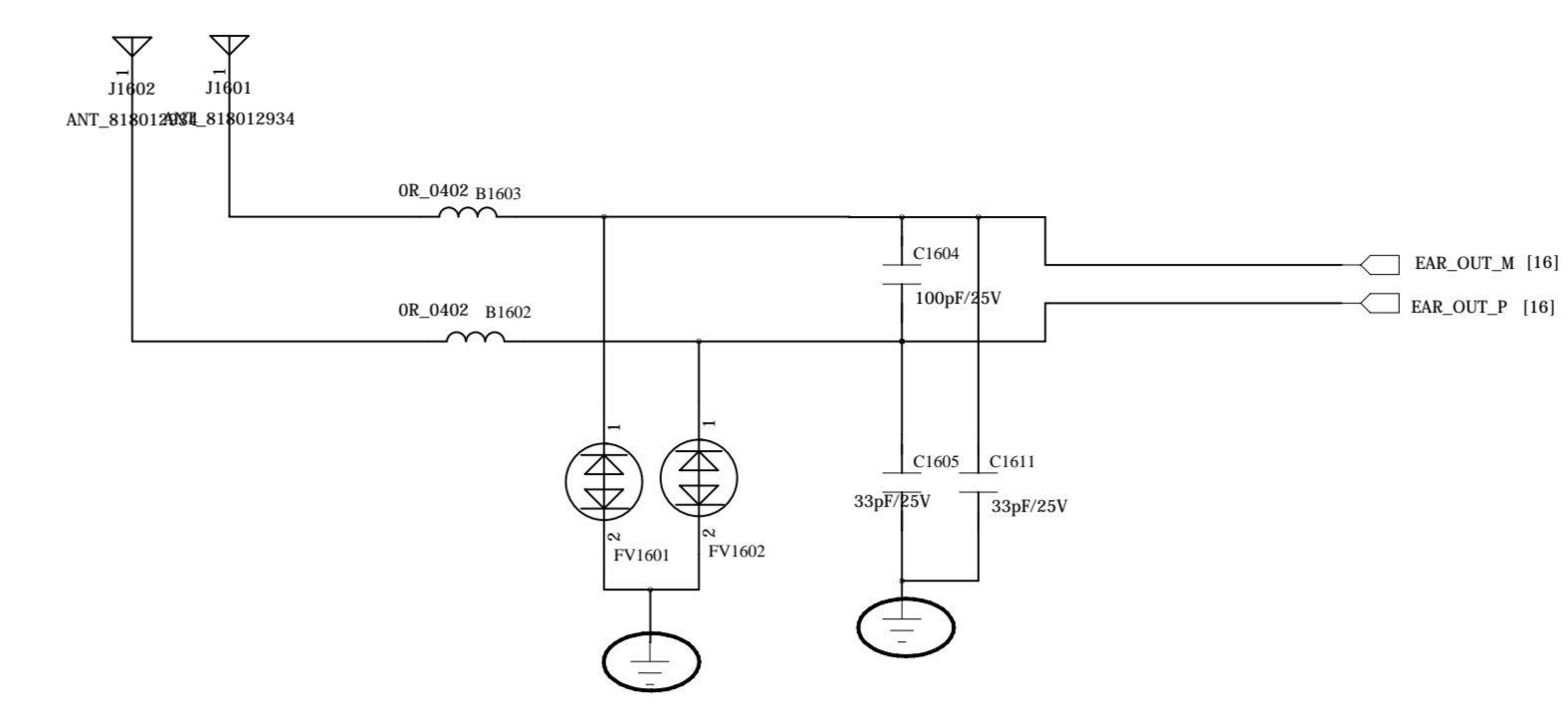
DRAWN: <Drawn By>		DATE: <Drawn Date>		COMPANY: <Company Name>	
CHECKED: <Checked By>		DATE: <Checked Date>		TITLE: <Title>	
QUALITY CONTROL: <QC By>		DATE: <QC Date>		CODE: <Code>	
RELEASED: <Released By>		DATE: <Release Date>		SCALE: <Scale>	
DRAWING NO: A0<Drawing Number>				REV: <Revision>	
SHEET: 15				30	

REVISION RECORD			
LTB	REV NO	APPROVED	DATE

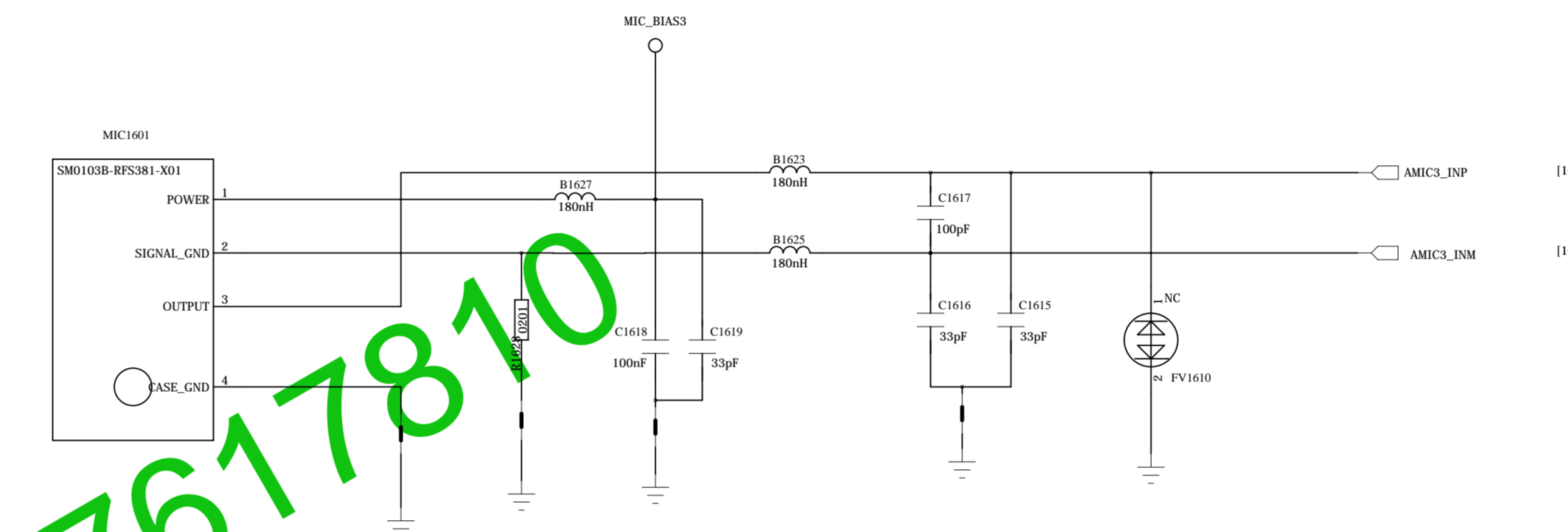
Audio Codec



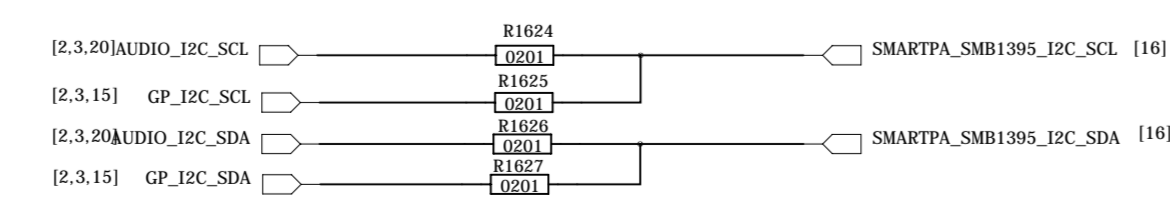
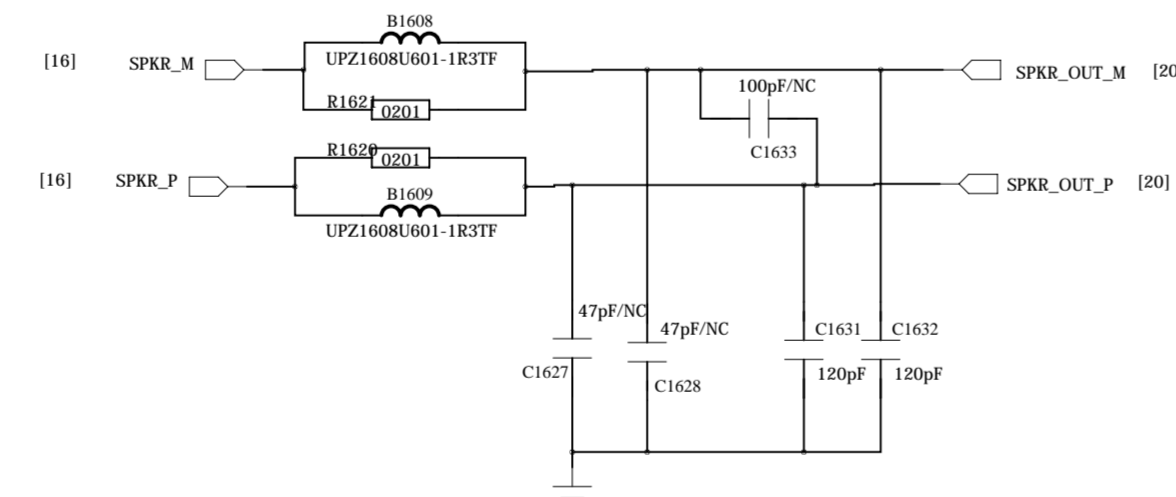
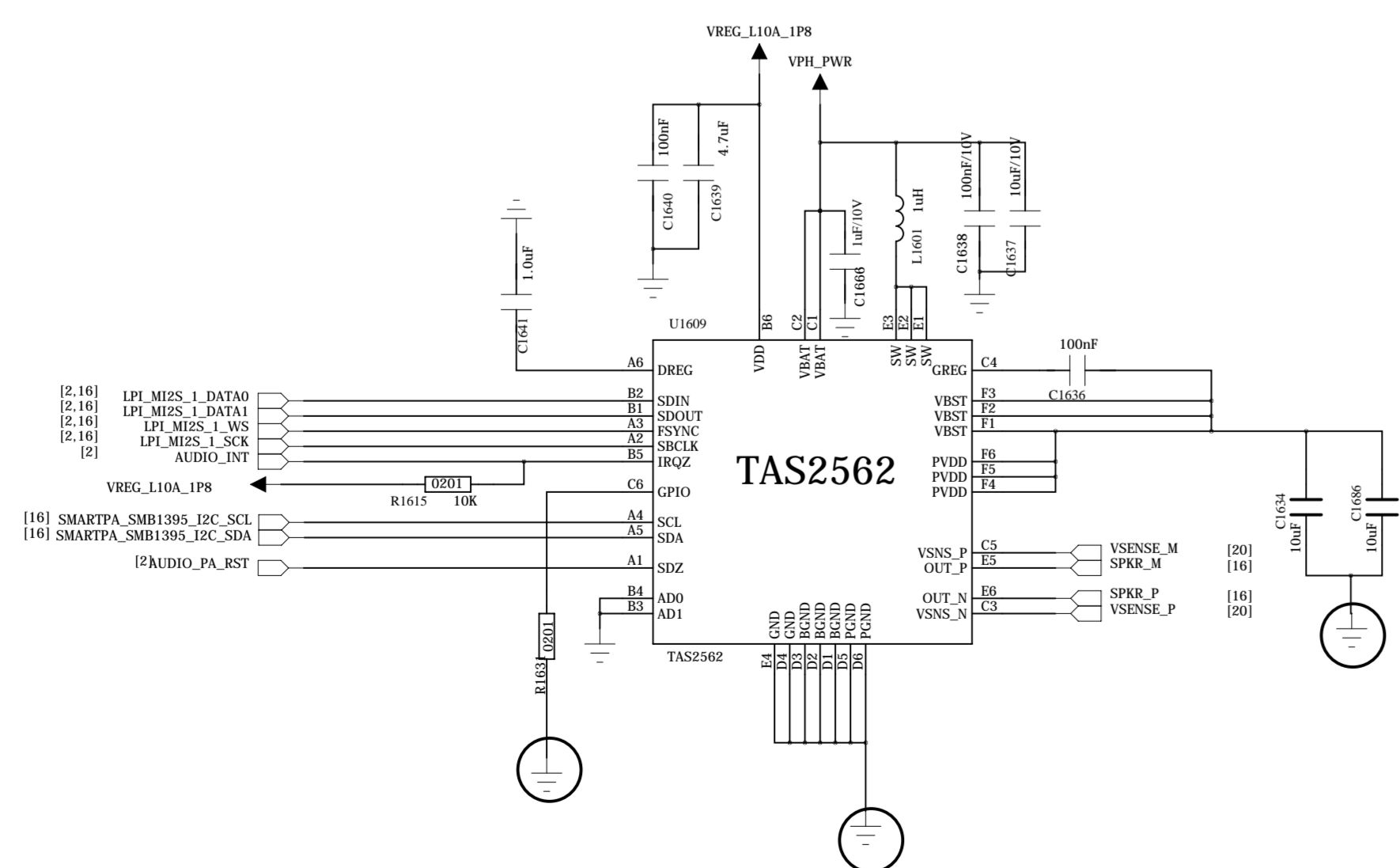
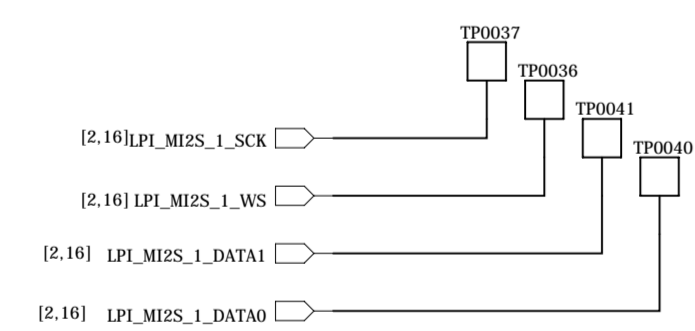
REC



Sub MIC



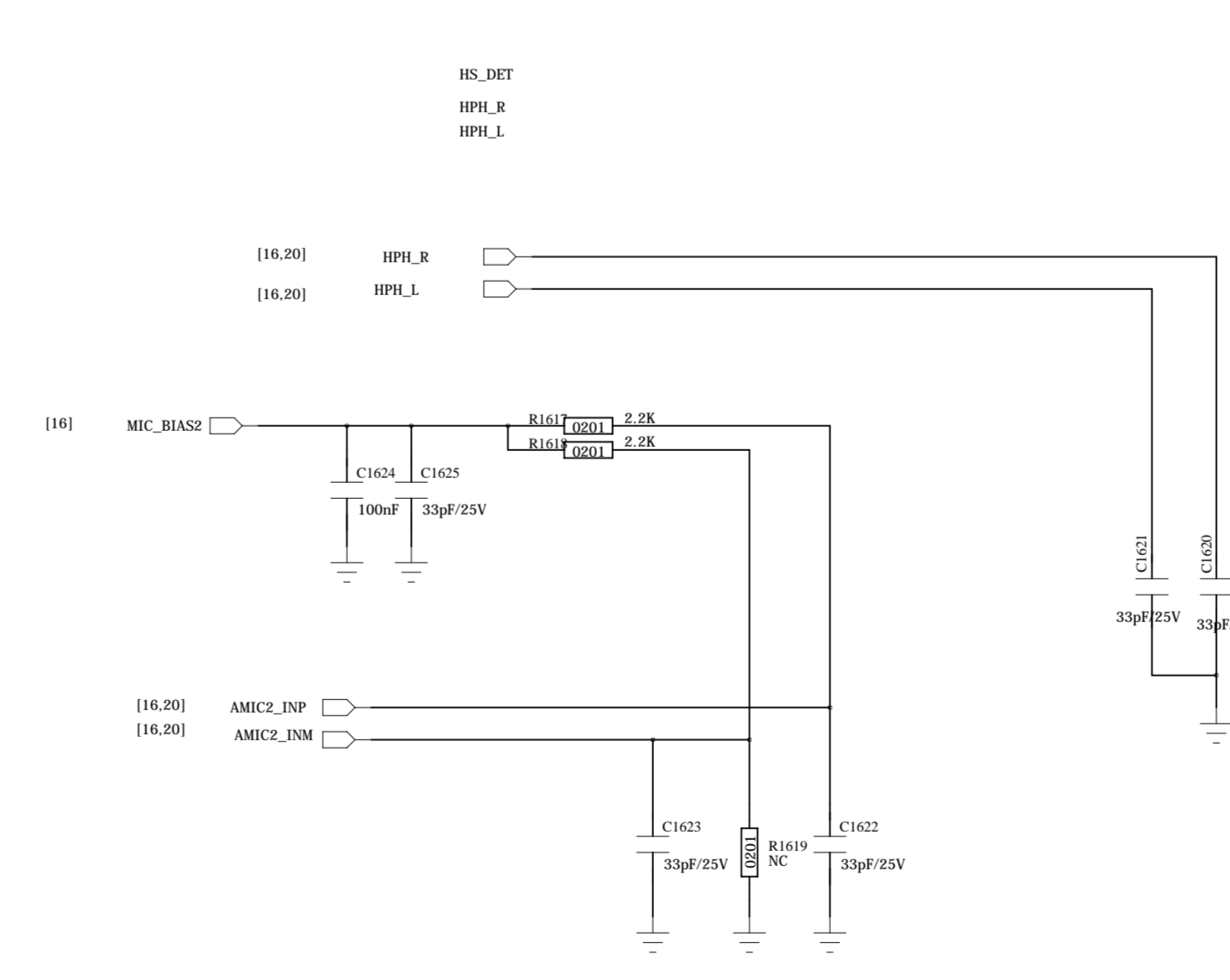
Audio PA



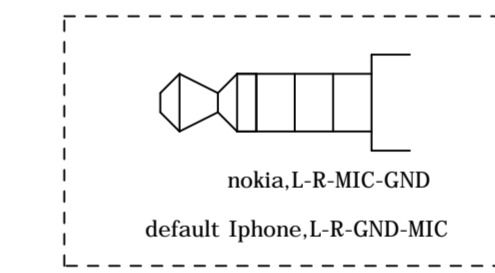
Ali Pro +967777617810

Earphone Audio

Note: Ferrite beads and their corresponding bypass capacitors on CDC_HPH_L_P, CDC_HPH_L_M and CDC_HPH_REF are needed to reduce noise generated by audio/FM concurrency



Note: Place B202,B203,C216,C217 close to headset jack connector
Note: For Cable detection



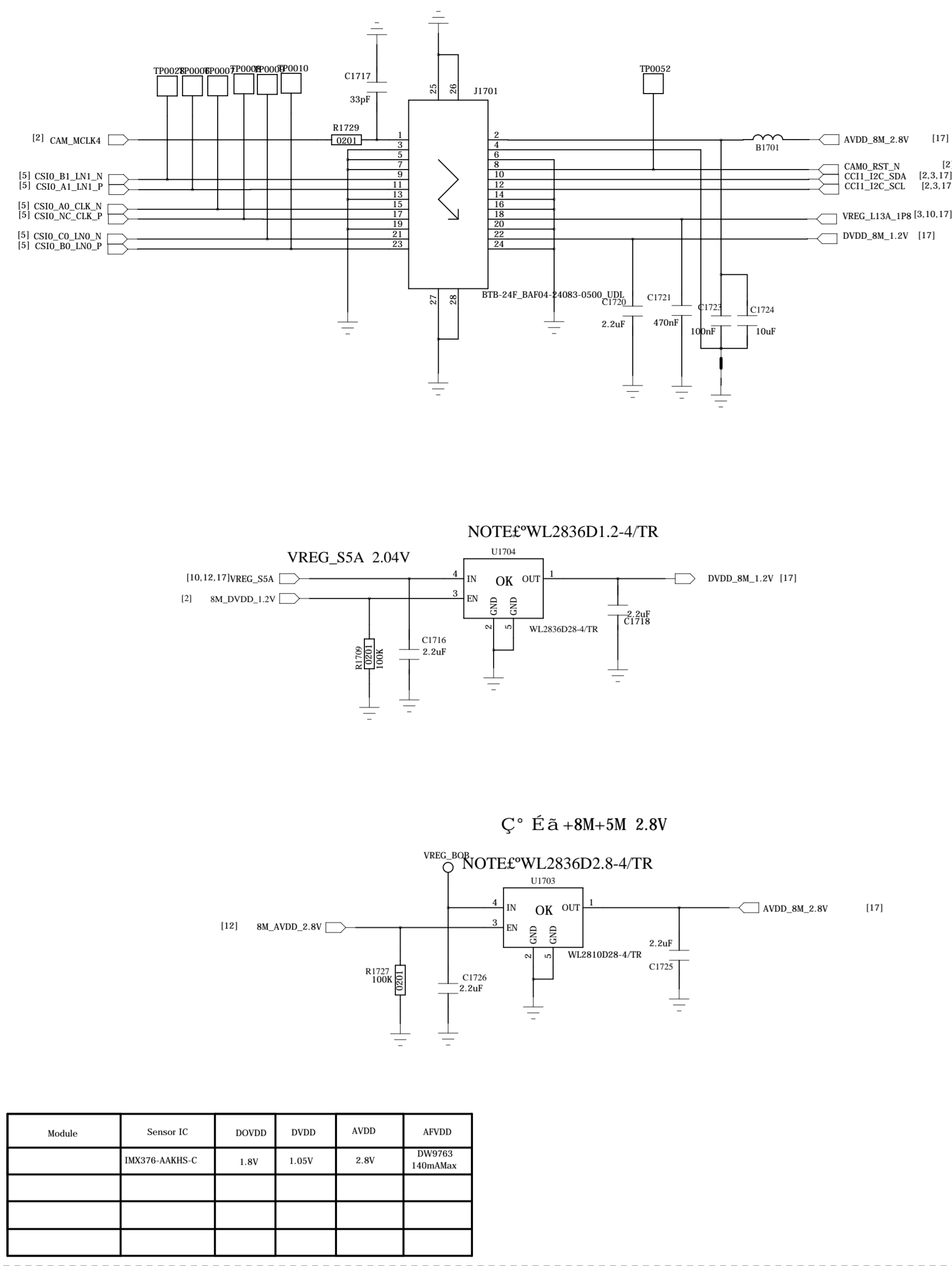
CND
HPH_R
HPH_L
HPH_L_M
MIC_IN

COMPANY: <Company Name>

TITLE: <Title>

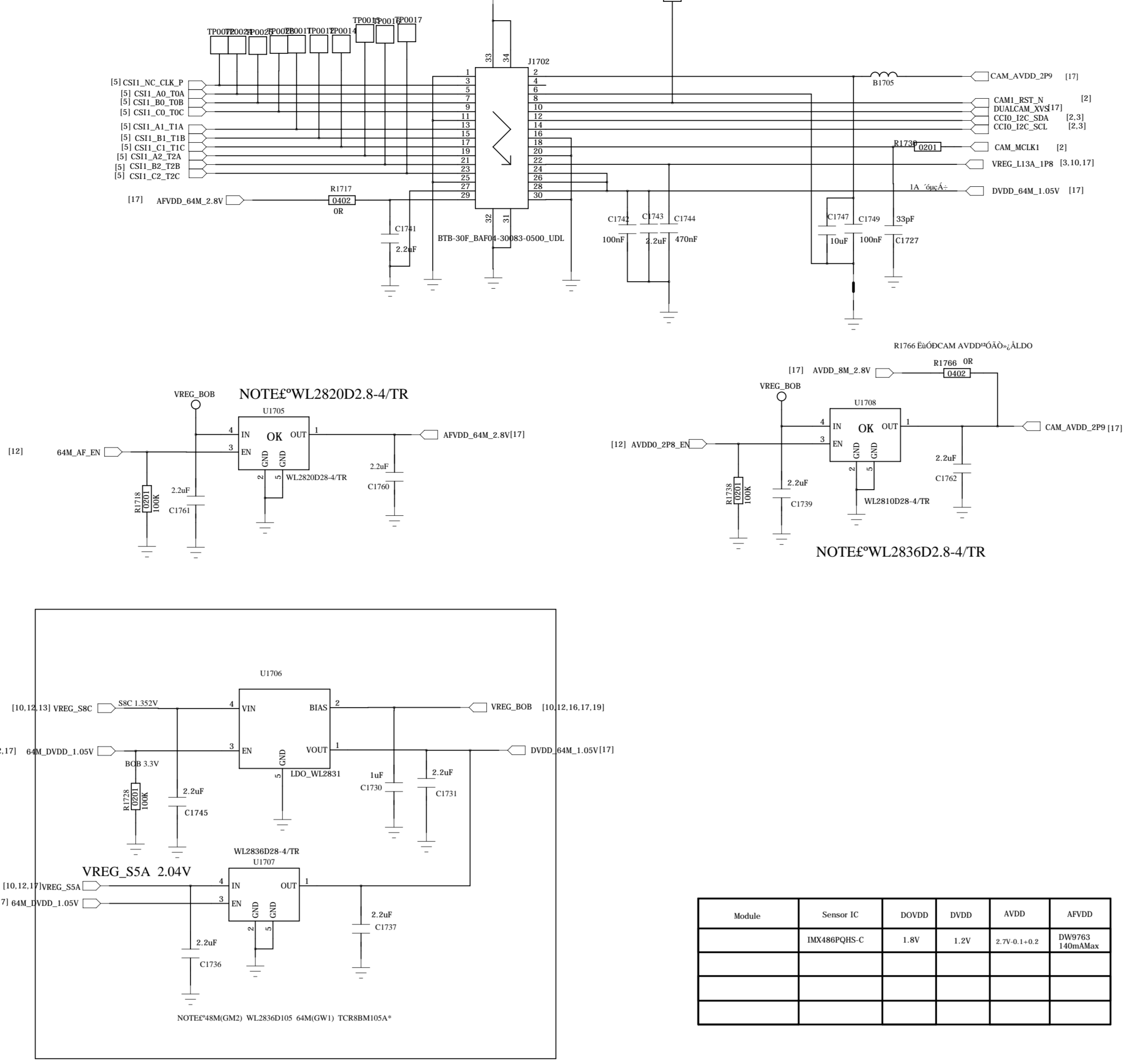
DRAWN: <Drawn By>	DATE: <Drawn Date>	CODE	SIZE	DRAWING NO.	REV
CHECKED: <Checked By>	DATE: <Checked Date>	A0<Drawing Number>Revision			
QUALITY CONTROL: <QC By>	DATE: <QC Date>				
RELEASED: <Released By>	DATE: <Release Date>				

Main Camera B 8M



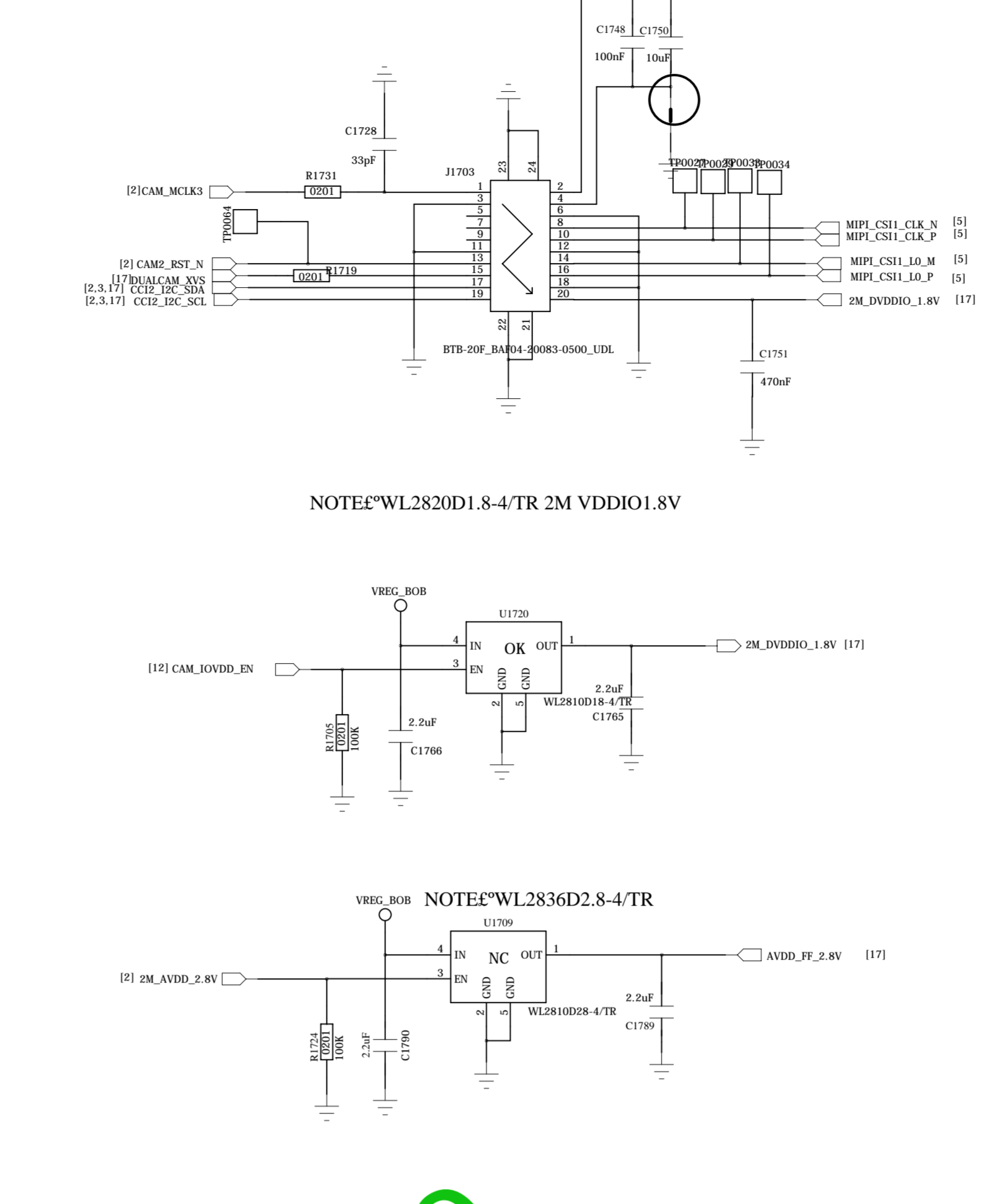
Module	Sensor IC	D0VDD	DVDD	AVDD	APVDD
	IMX214	1.8V	1.05V	2.8V	1.8V/1.05V/2.8V

Main Camera A 64M

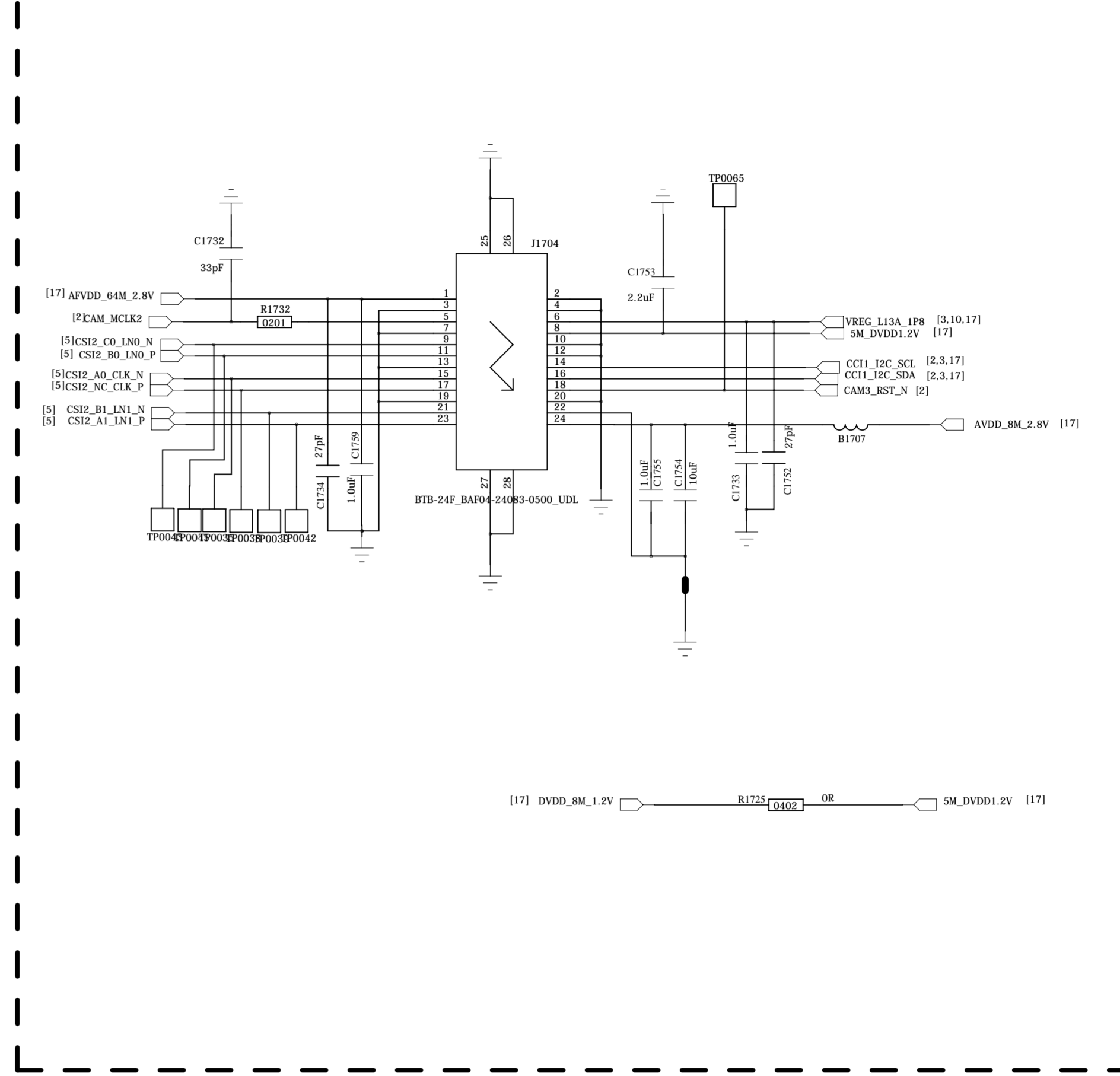


Module	Sensor IC	D0VDD	DVDD	AVDD	APVDD
	IMX686	1.8V	1.2V	2.7V-0.1-1.2	1.8V/1.2V/2.7V

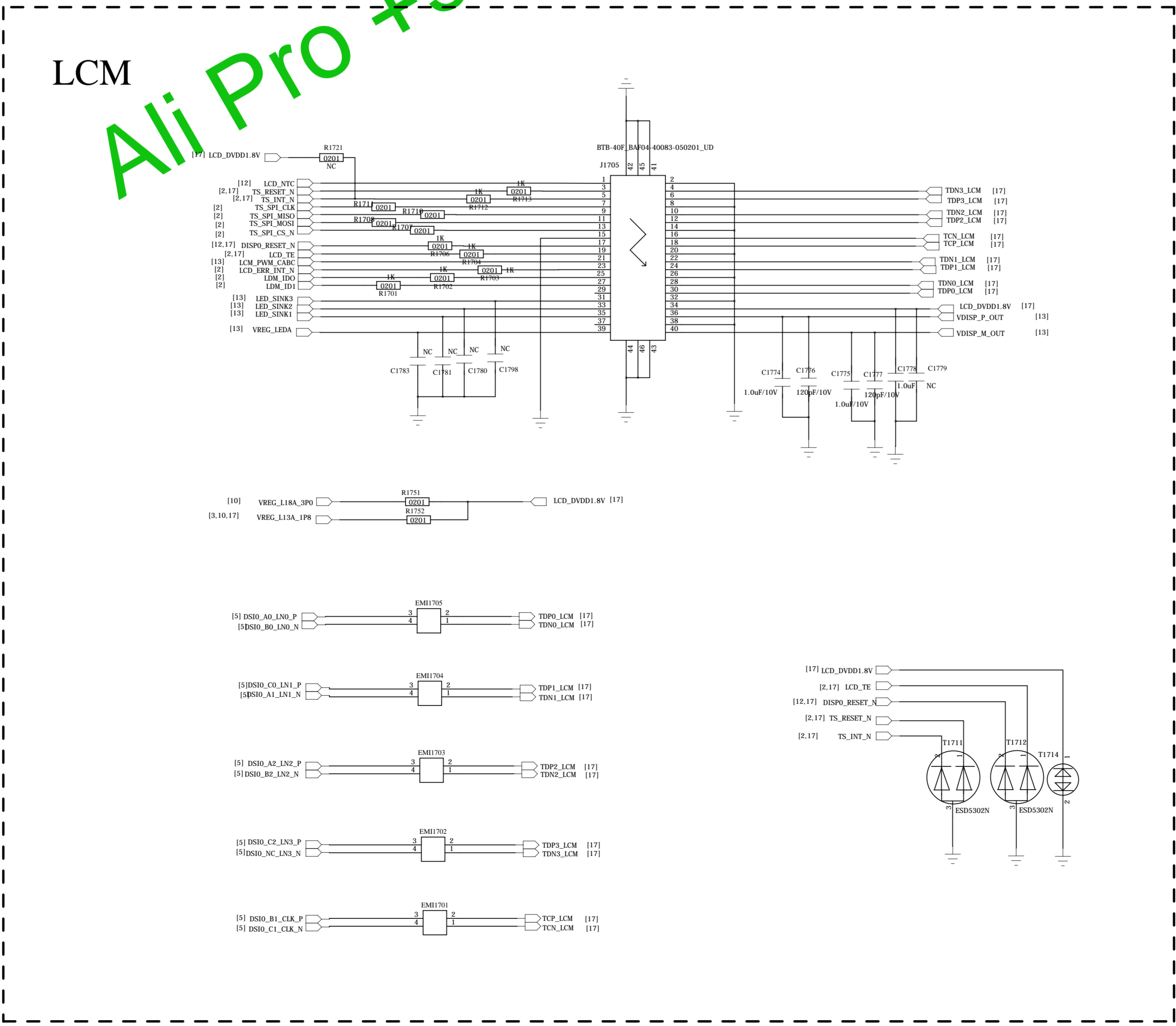
Main Camera C 2M 2M FF



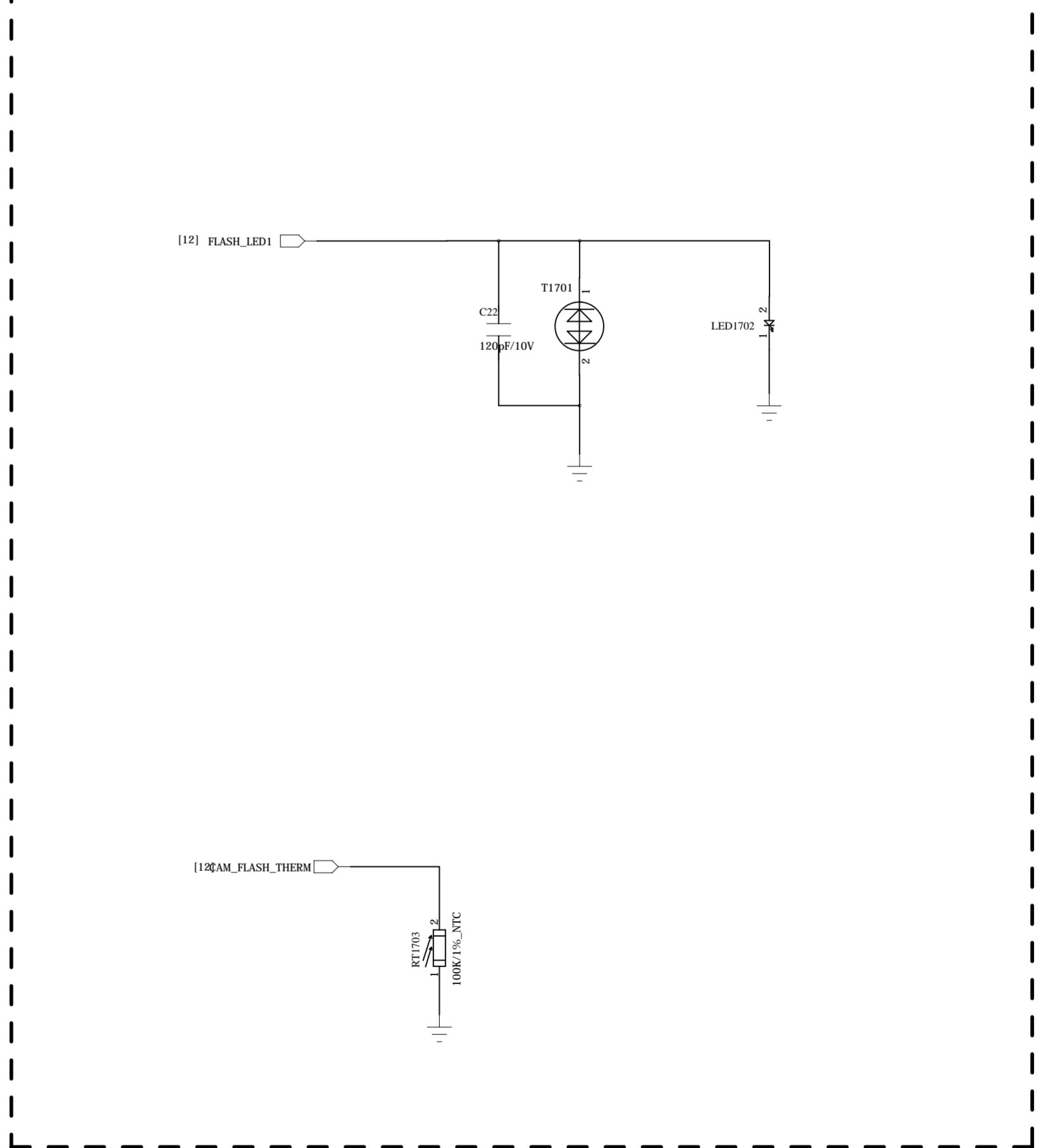
Main Camera D 5M 2M AF



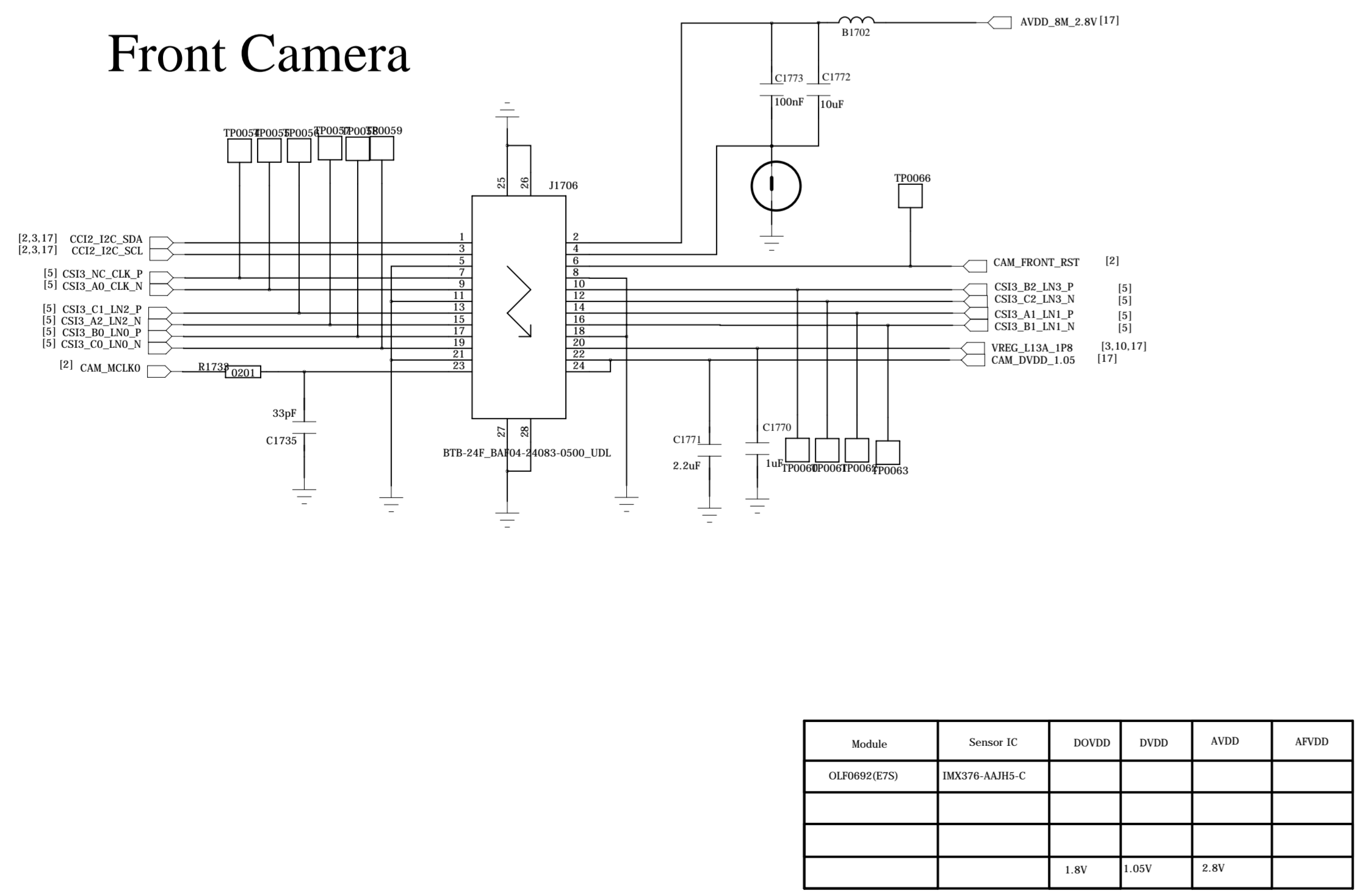
LCM



Flash Light



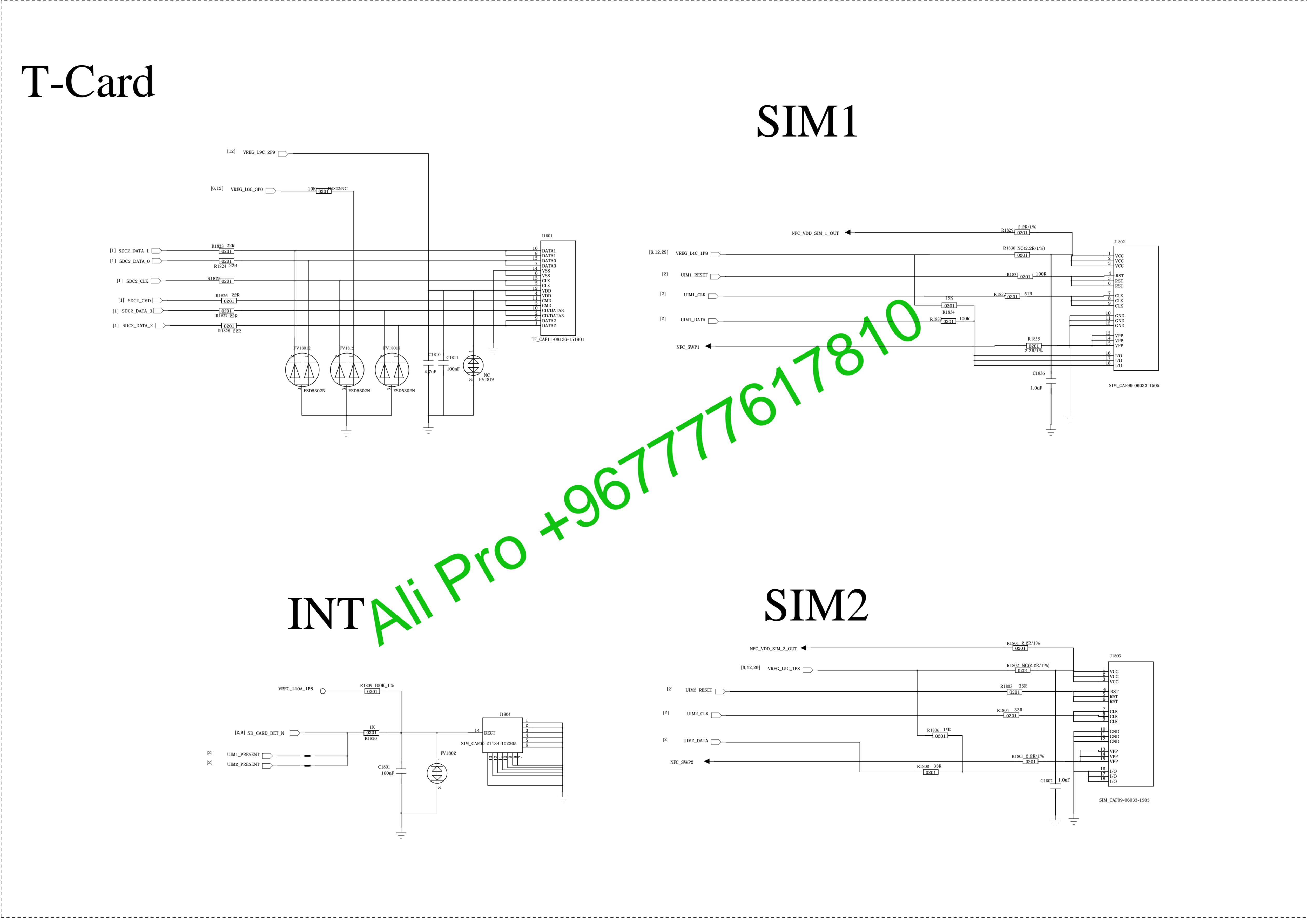
Front Camera



Module	Sensor IC	D0VDD	DVDD	AVDD	APVDD
	IMX214	1.8V	1.05V	2.8V	1.8V/1.05V/2.8V

Ali Pro +967777617810

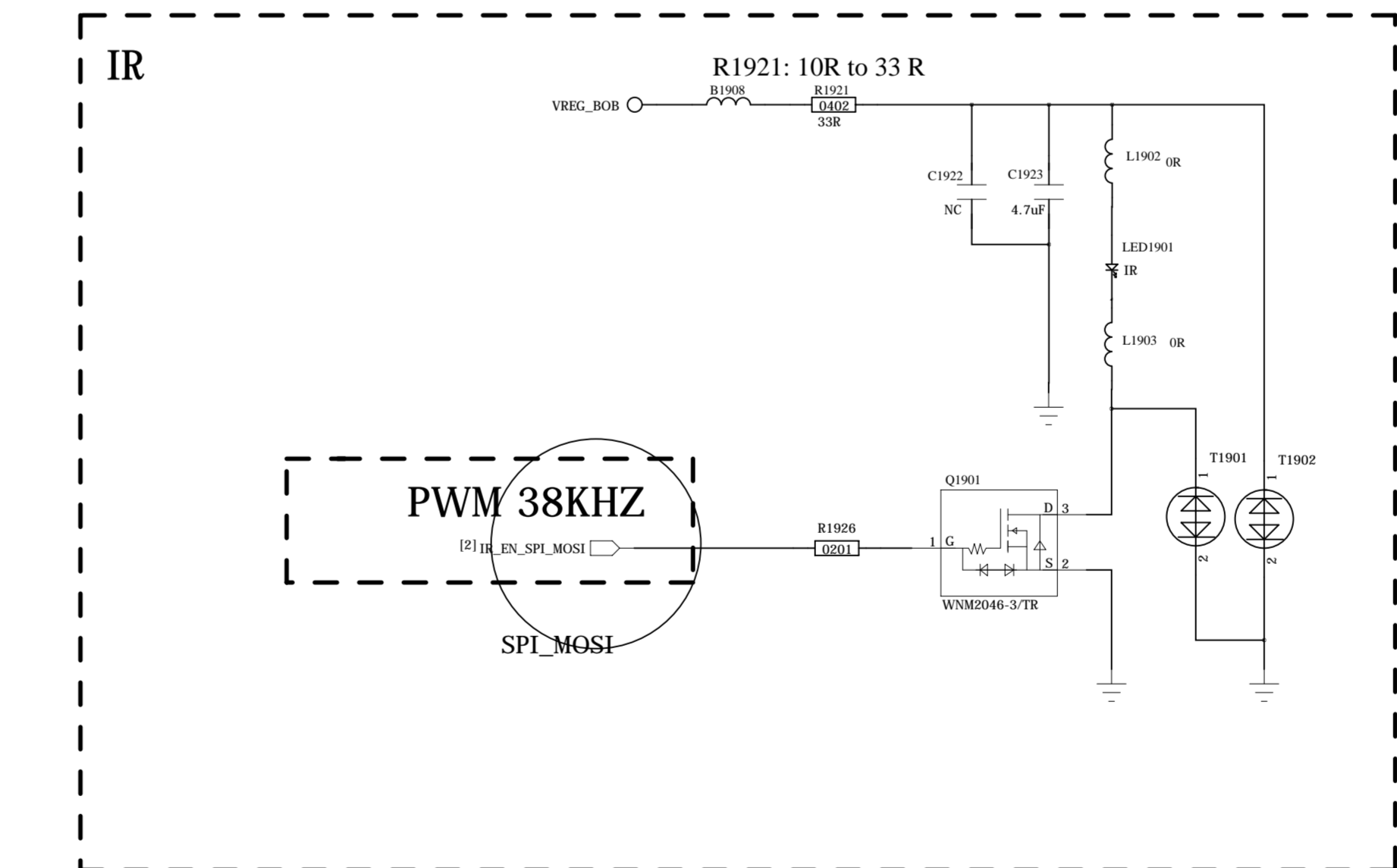
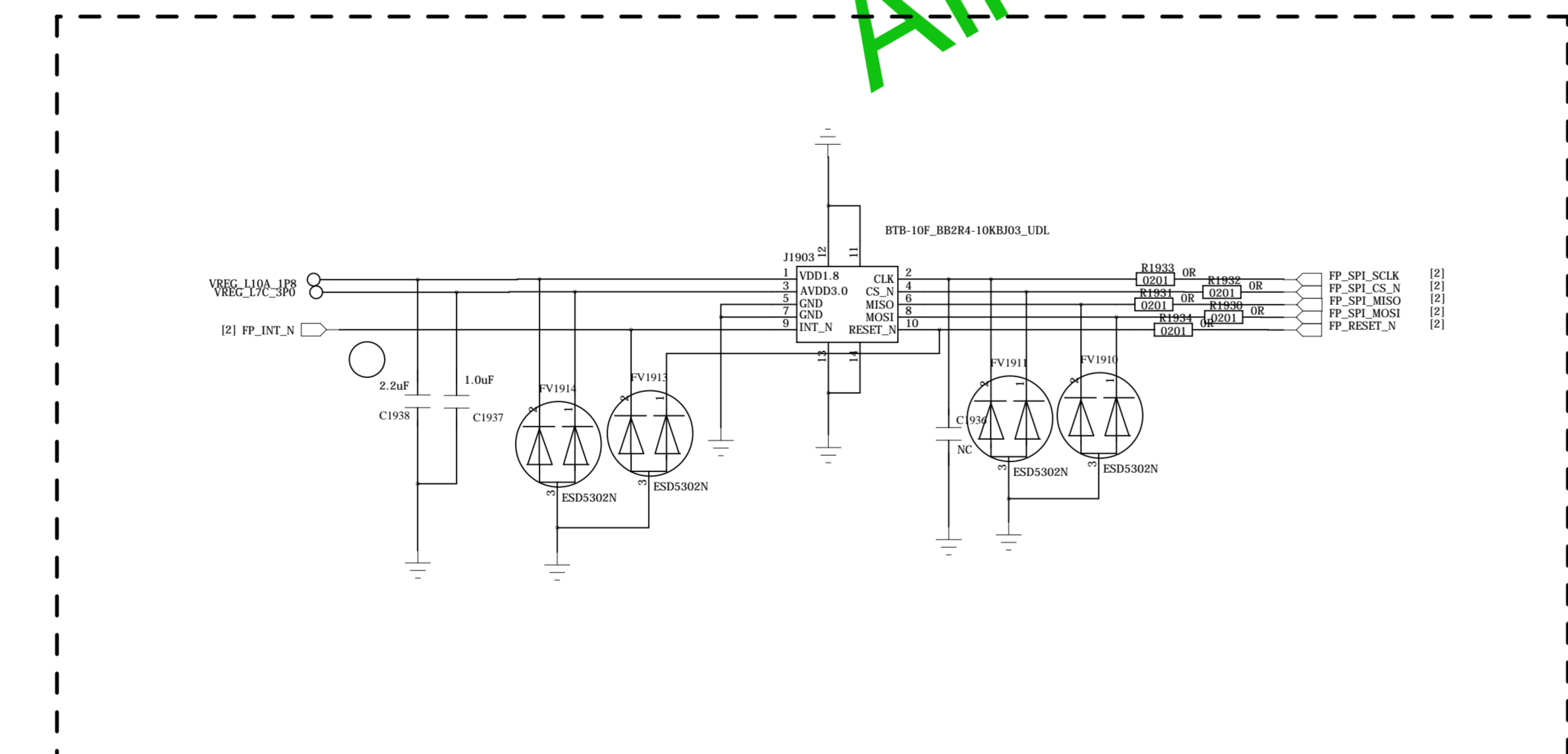
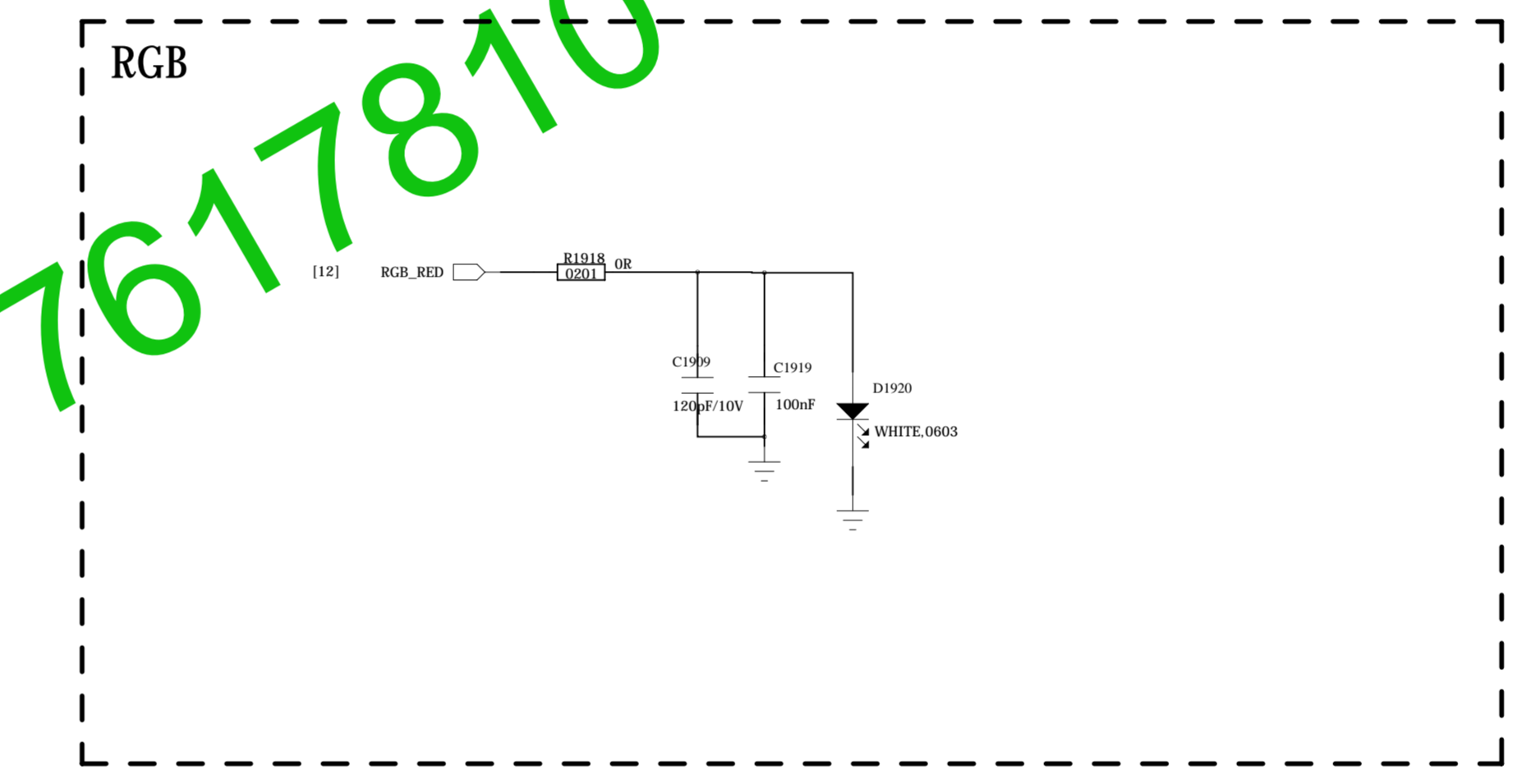
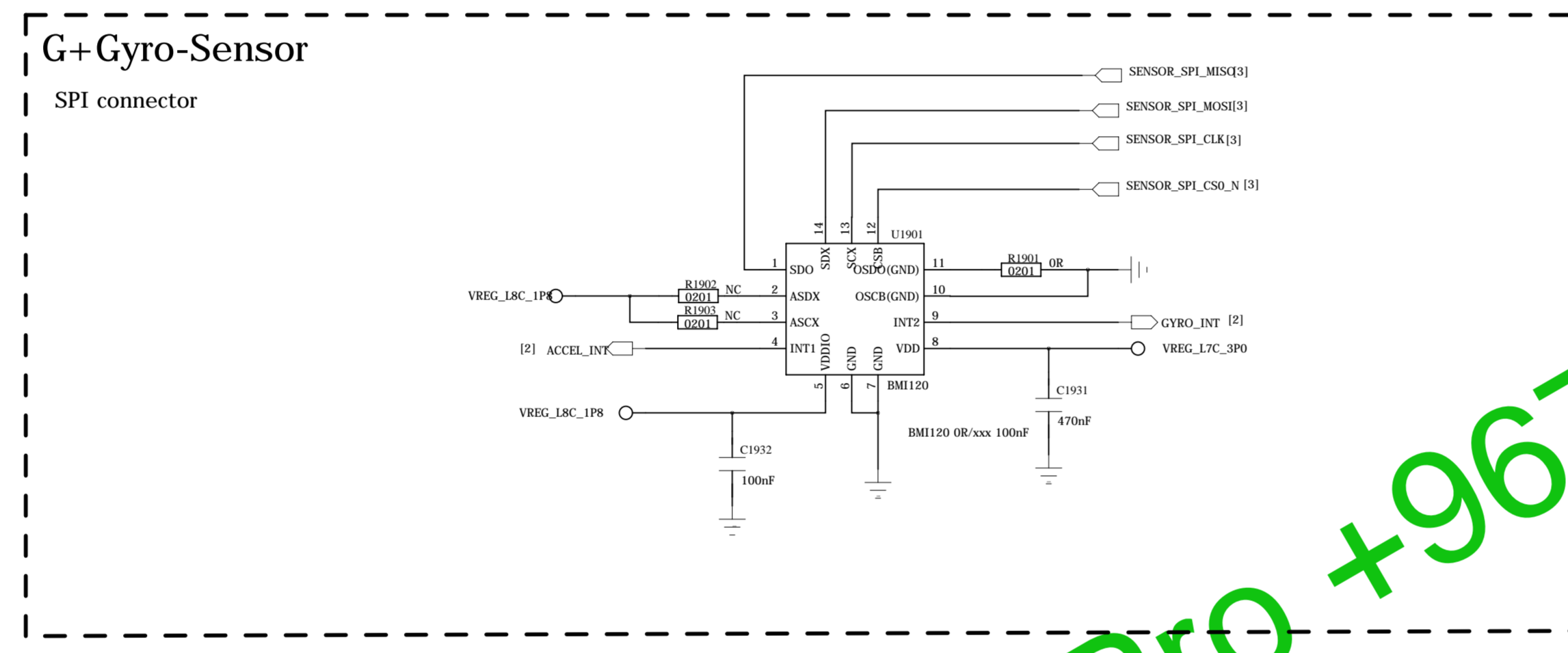
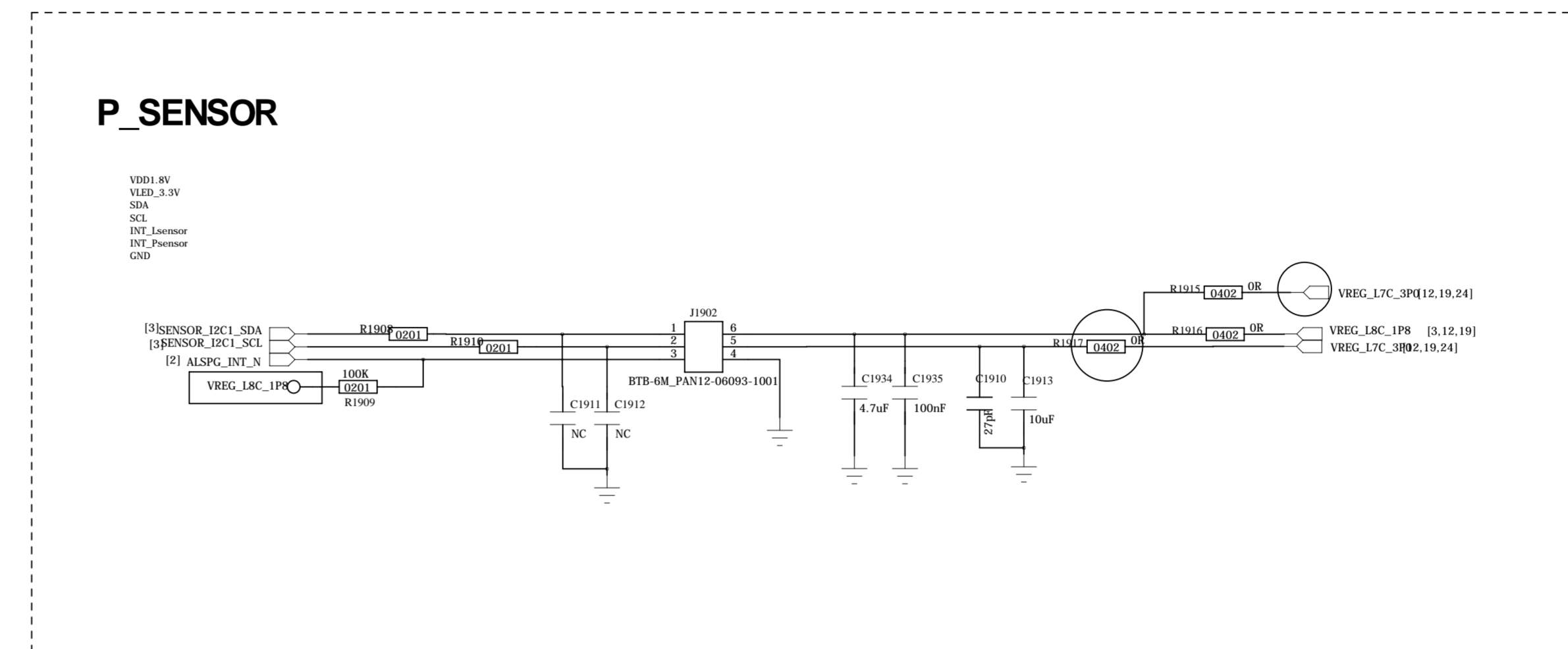
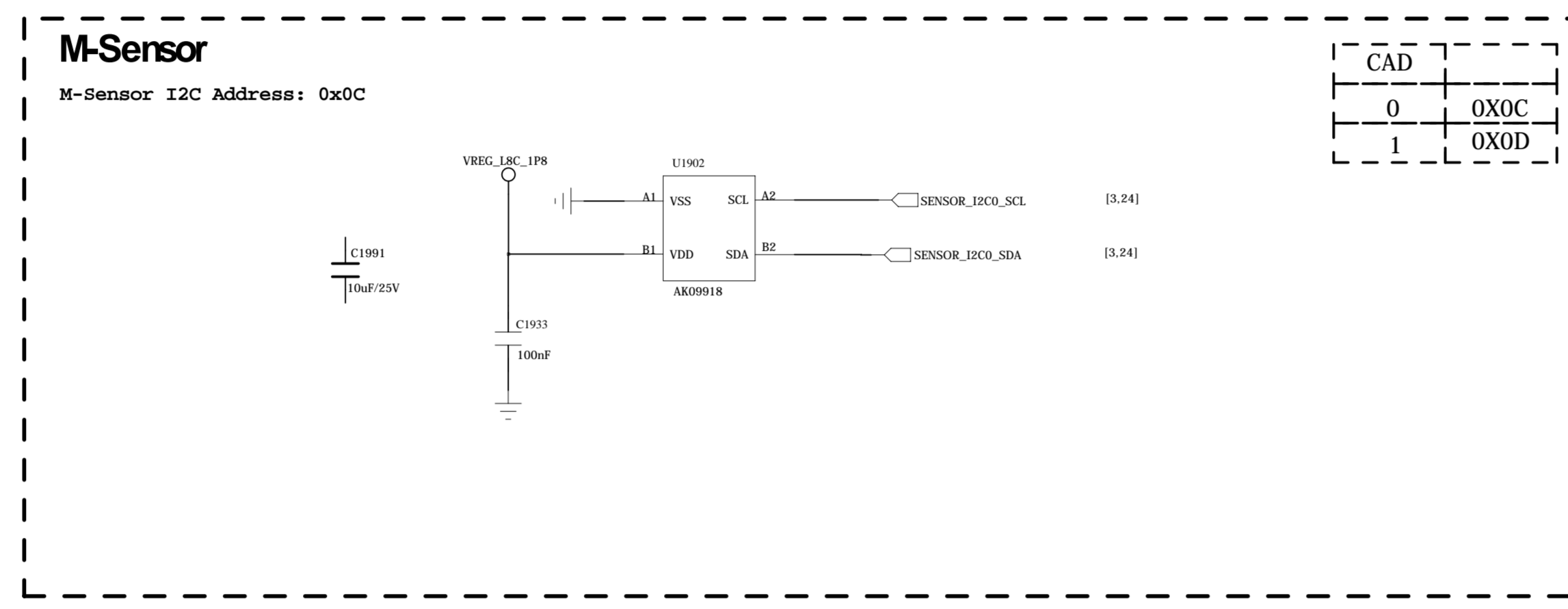
REVISION RECORD			
ITER	REV. NO.	APPROVED	DATE



INT Ali Pro +967777617810

DRAWN: <Drawn By>		DATE: <Drawn Date>		COMPANY: <Company Name>	
CHECKED: <Checked By>		DATE: <Checked Date>		TITLE: <Title>	
QUALITY CONTROL: <QC By>		DATE: <QC Date>		CODE: <Code>	SIZE: A0
RELEASED: <Released By>		DATE: <Release Date>		DRAWING NO: <Drawing Number>	
SCALE: <Scale>				REV: <Revision>	
SHEET 18				30	

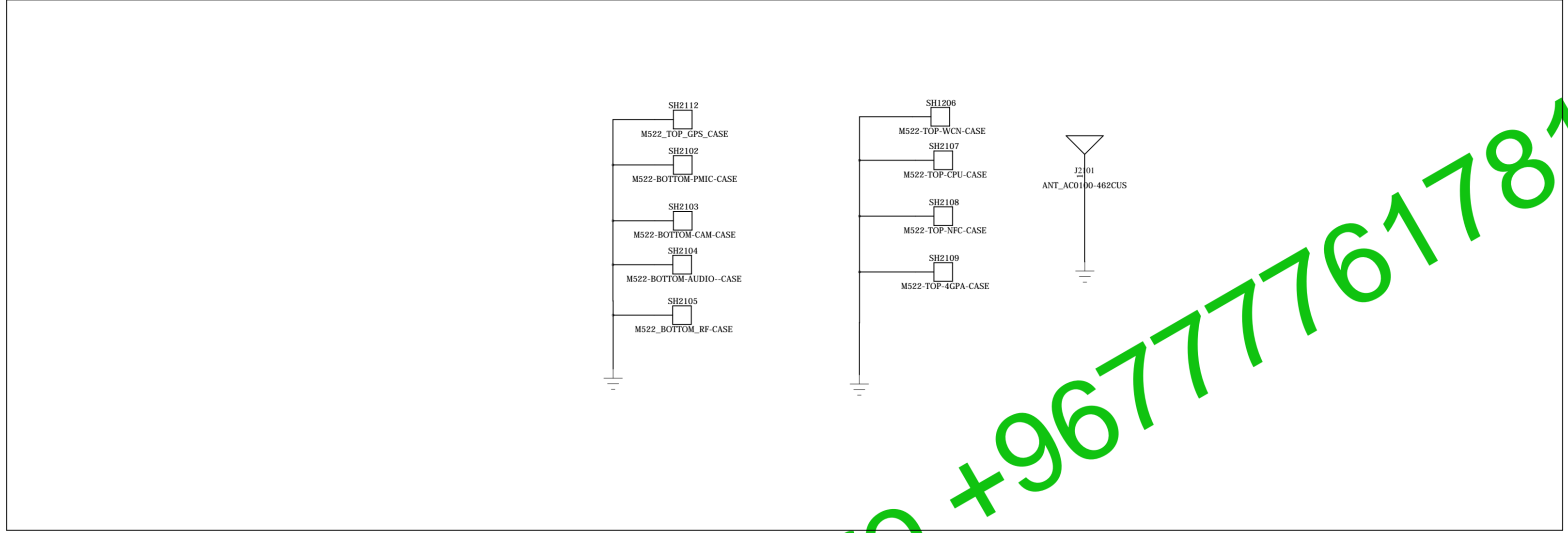
REVISION RECORD			
LT#	ECO NO.	APPROVED	DATE



Ali Pro +967777617810

DRAWN: <Drawn By>		DATE: <Drawn Date>		COMPANY: <Company Name>			
CHECKED: <Checked By>		DATE: <Checked Date>		TITLE: <Title>			
QUALITY CONTROL: <QC By>		DATE: <QC Date>		CODE: <Code>	SIZE: A0	DRAWING NO: <Drawing Number>	REV: <Revision>
RELEASED: <Released By>		DATE: <Release Date>		SCALE: <Scale>		SHEET 19 OF 30	

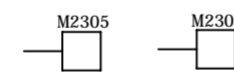
REVISION RECORD			
ITM	REV NO	APPROVED	DATE



Ali Pro +967777617810

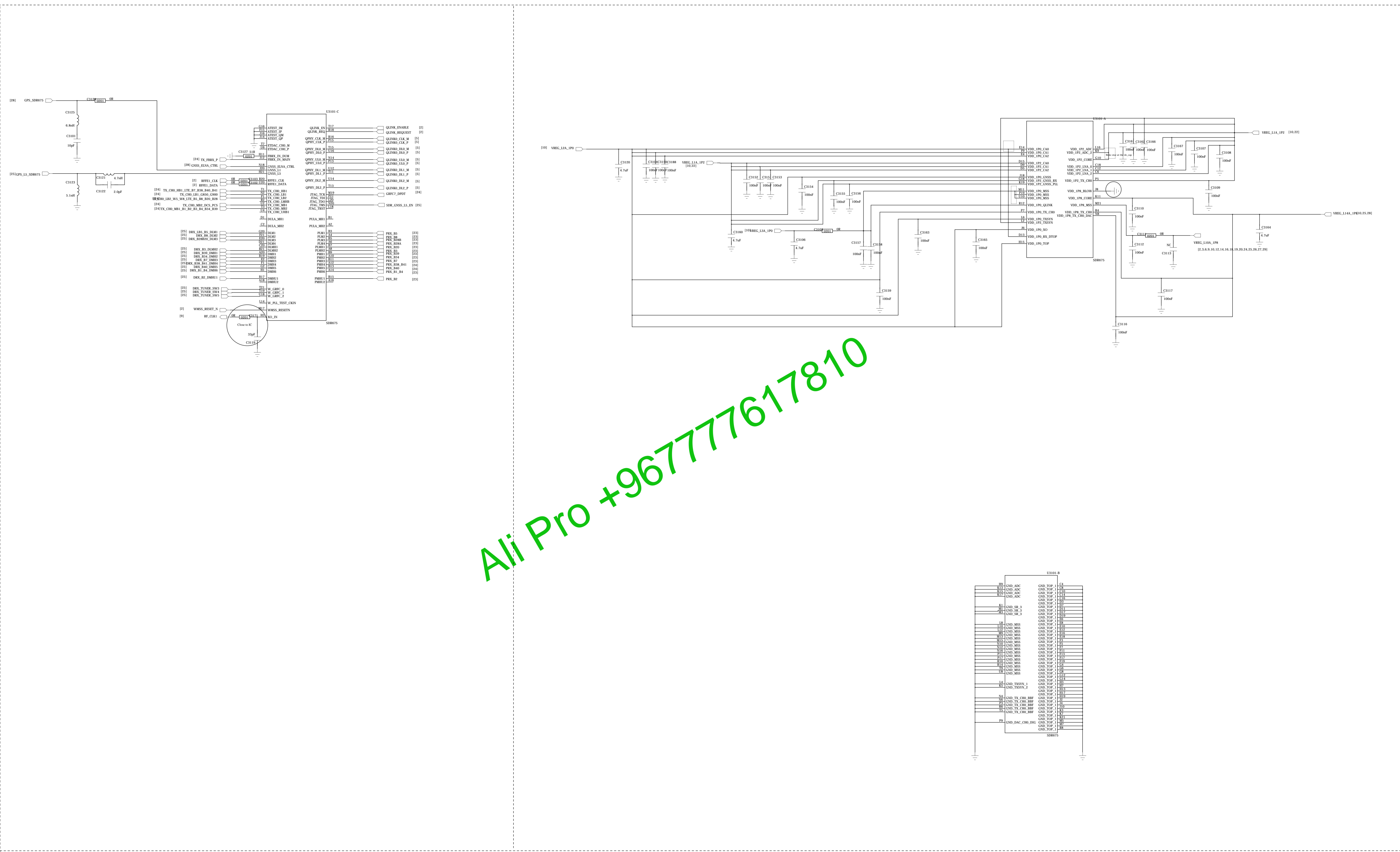
BAD MARK POINT

MARK POINT



DRAWN: < Drawn By >		DATE: < Drawn Date >		COMPANY: < Company Name >	
CHECKED: < Checked By >		DATE: < Checked Date >		TITLE: < Title >	
QUALITY CONTROL: < QC By >		DATE: < QC Date >		CODE: < Code >	REV: < Revision >
RELEASED: < Released By >		DATE: < Release Date >		SCALE: < Scale >	DRAWING NO: A0< Drawing Number >
				SHEET: 2#	30

REVISIONS			
ITR	ISS NO	APPROVED	DATE



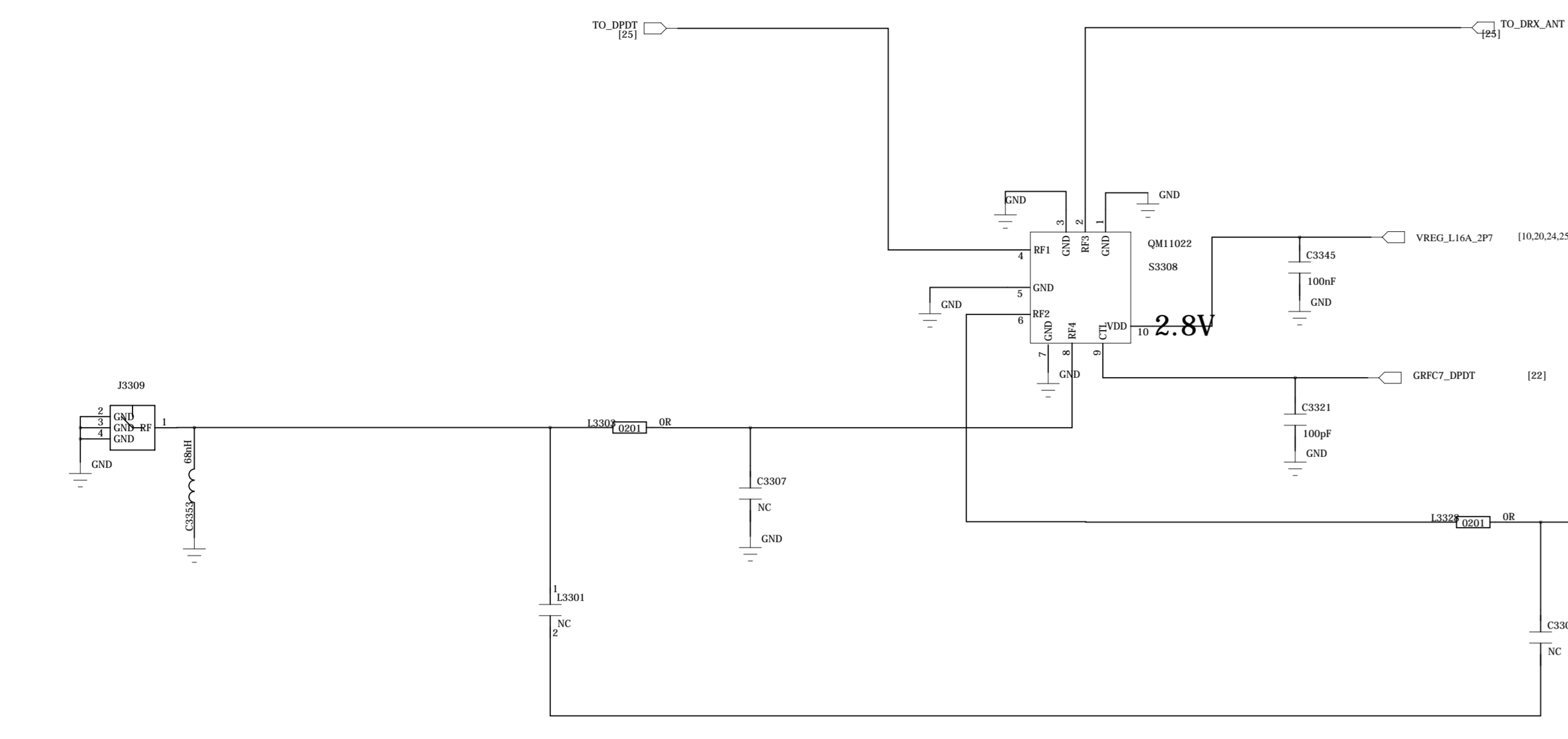
Ali Pro +967777617810

U3000-0	
10	CAD_ADC
11	CAD_ADC
12	CAD_ADC
13	CAD_ADC
14	CAD_ADC
15	CAD_ADC
16	CAD_ADC
17	CAD_ADC
18	CAD_ADC
19	CAD_ADC
20	CAD_ADC
21	CAD_ADC
22	CAD_ADC
23	CAD_ADC
24	CAD_ADC
25	CAD_ADC
26	CAD_ADC
27	CAD_ADC
28	CAD_ADC
29	CAD_ADC
30	CAD_ADC
31	CAD_ADC
32	CAD_ADC
33	CAD_ADC
34	CAD_ADC
35	CAD_ADC
36	CAD_ADC
37	CAD_ADC
38	CAD_ADC
39	CAD_ADC
40	CAD_ADC
41	CAD_ADC
42	CAD_ADC
43	CAD_ADC
44	CAD_ADC
45	CAD_ADC
46	CAD_ADC
47	CAD_ADC
48	CAD_ADC
49	CAD_ADC
50	CAD_ADC
51	CAD_ADC
52	CAD_ADC
53	CAD_ADC
54	CAD_ADC
55	CAD_ADC
56	CAD_ADC
57	CAD_ADC
58	CAD_ADC
59	CAD_ADC
60	CAD_ADC
61	CAD_ADC
62	CAD_ADC
63	CAD_ADC
64	CAD_ADC
65	CAD_ADC
66	CAD_ADC
67	CAD_ADC
68	CAD_ADC
69	CAD_ADC
70	CAD_ADC
71	CAD_ADC
72	CAD_ADC
73	CAD_ADC
74	CAD_ADC
75	CAD_ADC
76	CAD_ADC
77	CAD_ADC
78	CAD_ADC
79	CAD_ADC
80	CAD_ADC
81	CAD_ADC
82	CAD_ADC
83	CAD_ADC
84	CAD_ADC
85	CAD_ADC
86	CAD_ADC
87	CAD_ADC
88	CAD_ADC
89	CAD_ADC
90	CAD_ADC
91	CAD_ADC
92	CAD_ADC
93	CAD_ADC
94	CAD_ADC
95	CAD_ADC
96	CAD_ADC
97	CAD_ADC
98	CAD_ADC
99	CAD_ADC
100	CAD_ADC

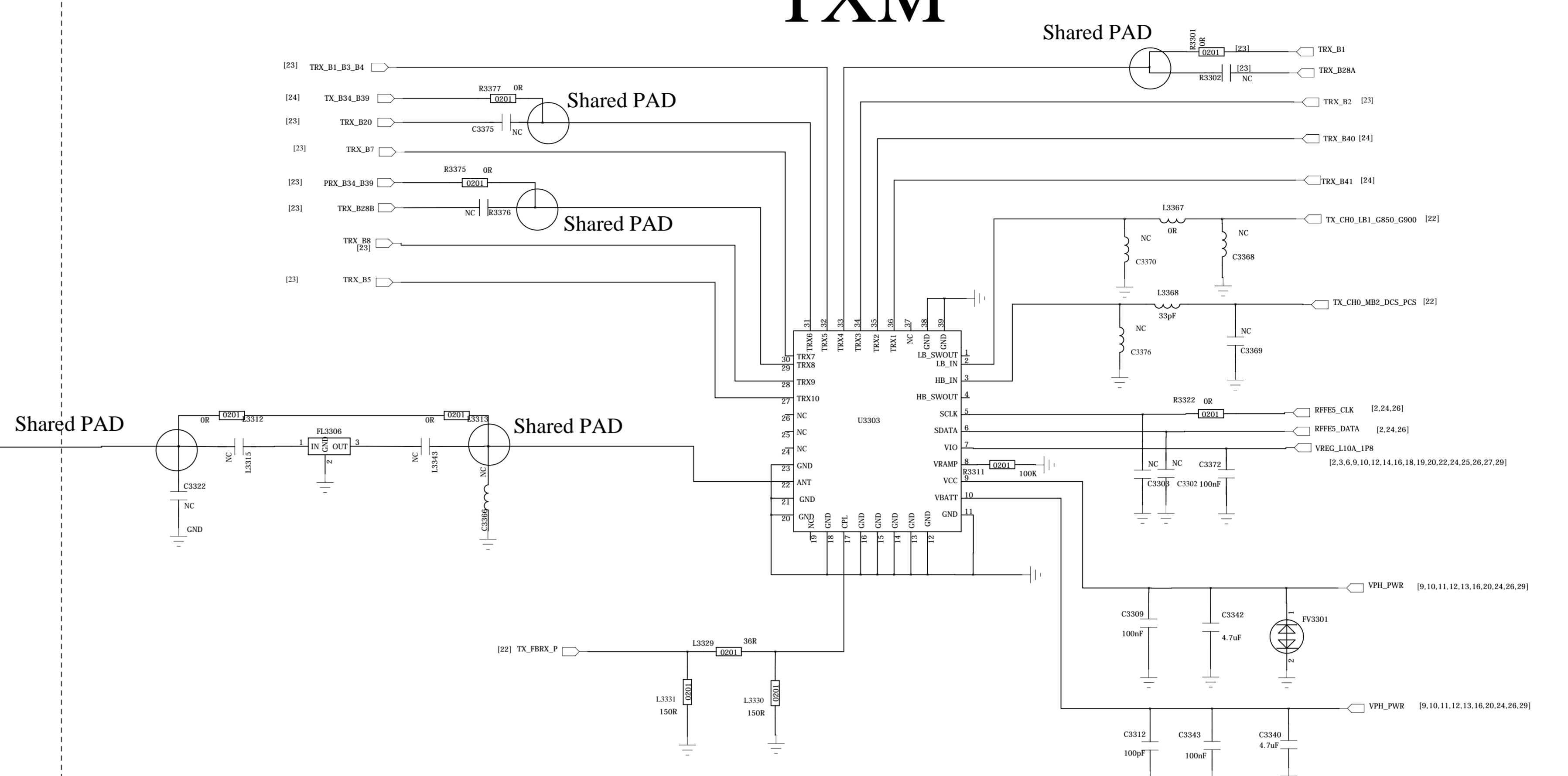
DRAWN: <Drawn By>		DATE: <Drawn Date>		COMPANY: <Company Name>	
CHECKED: <Checked By>		DATE: <Checked Date>		TITLE: <Title>	
QUALITY CONTROL: <QC By>		DATE: <QC Date>		CODE: <Code>	SIZE: A0
RELEASED: <Released By>		DATE: <Release Date>		DRAWING NO: <Drawing Number>	
		SCALE: <Scale>		REV: <Revision>	
				SHEET 28 OF 30	

REVISION RECORD			
ITER	ECO NO.	APPROVED	DATE

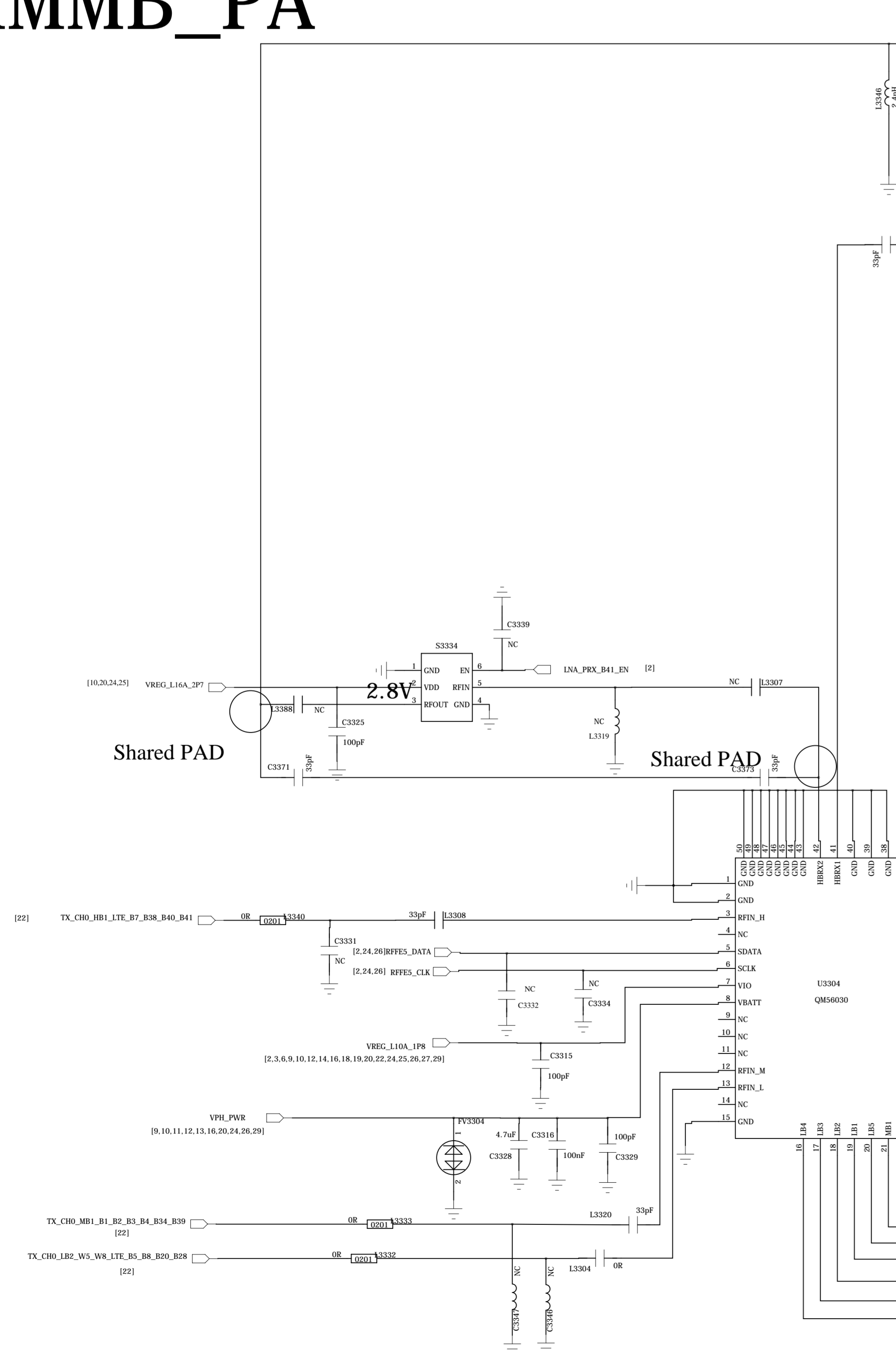
DPDT



TXM



MMMB_PA



PRX_B41

PRX_B40

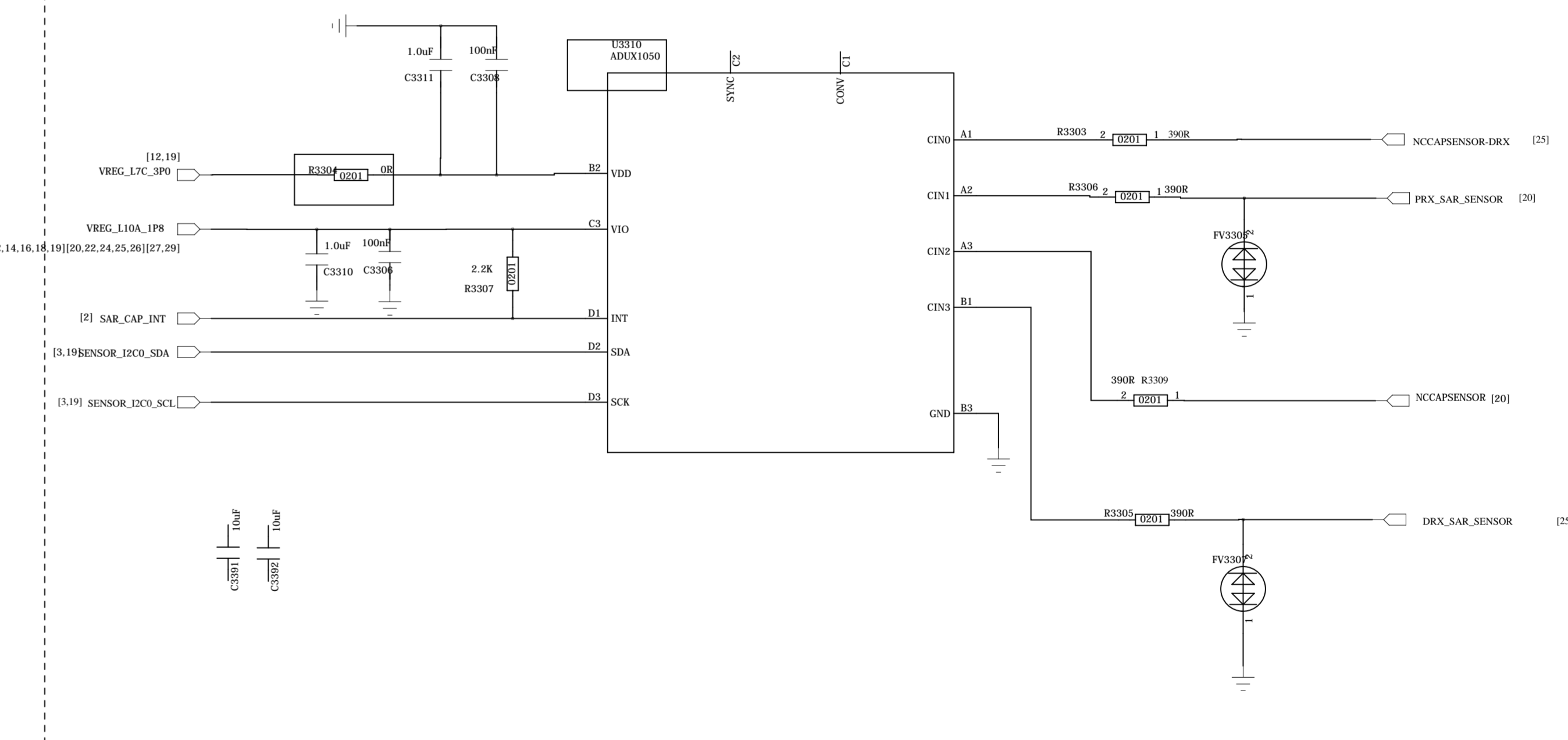
TRX_B40

TX_B7

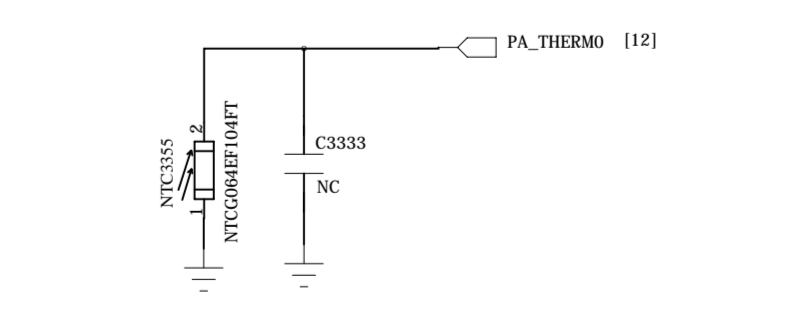
TRX_B41

TX_B34_B39

SAR_SENSOR



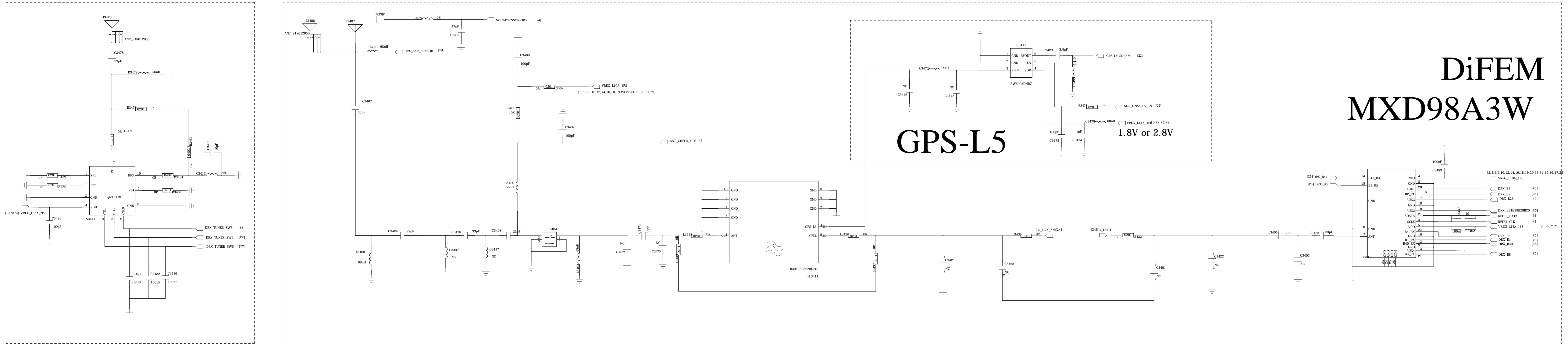
PA_THERMO



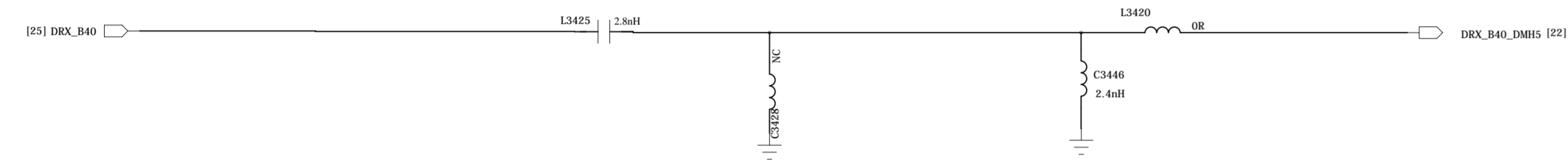
Ali Pro +967777617810

COMPANY: <Company Name>		TITLE: <Title>	
DRAWN: <Drawn By>	DATE: <Drawn Date>	CODE: <Code>	SIZE: <Scale>
CHECKED: <Checked By>	DATE: <Checked Date>	CODE: <Code>	SIZE: <Scale>
QUALITY CONTROL: <QC By>	DATE: <QC Date>	CODE: <Code>	SIZE: <Scale>
RELEASED: <Released By>	DATE: <Release Date>	CODE: <Code>	SIZE: <Scale>

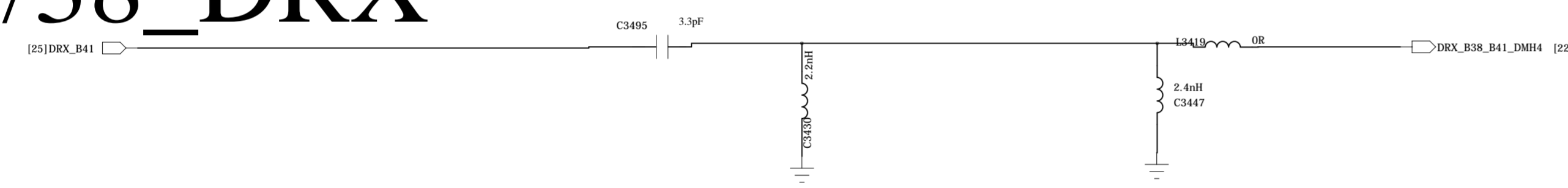
Div Ant Switch



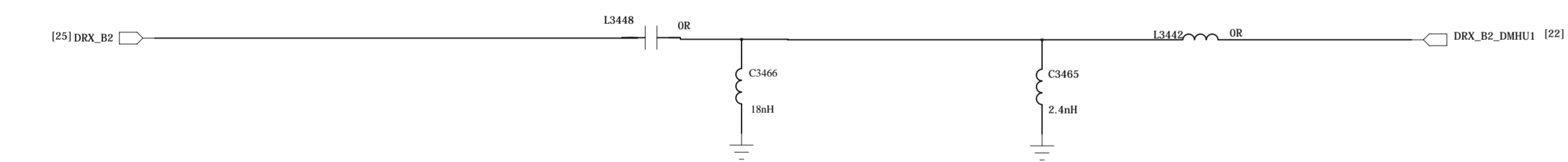
B40_DRX



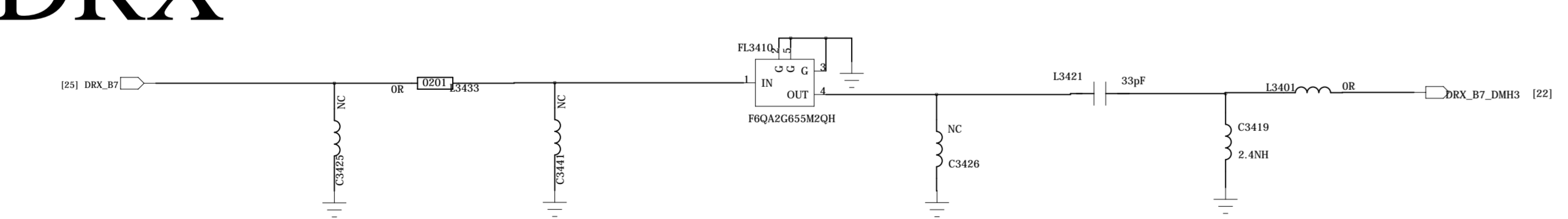
B41/38_DRX



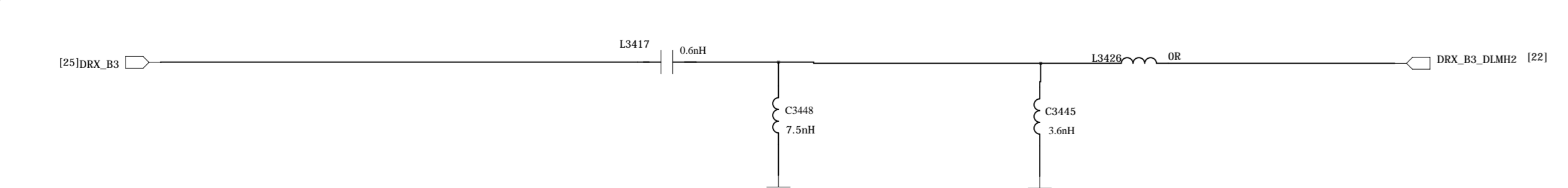
B2_DRX



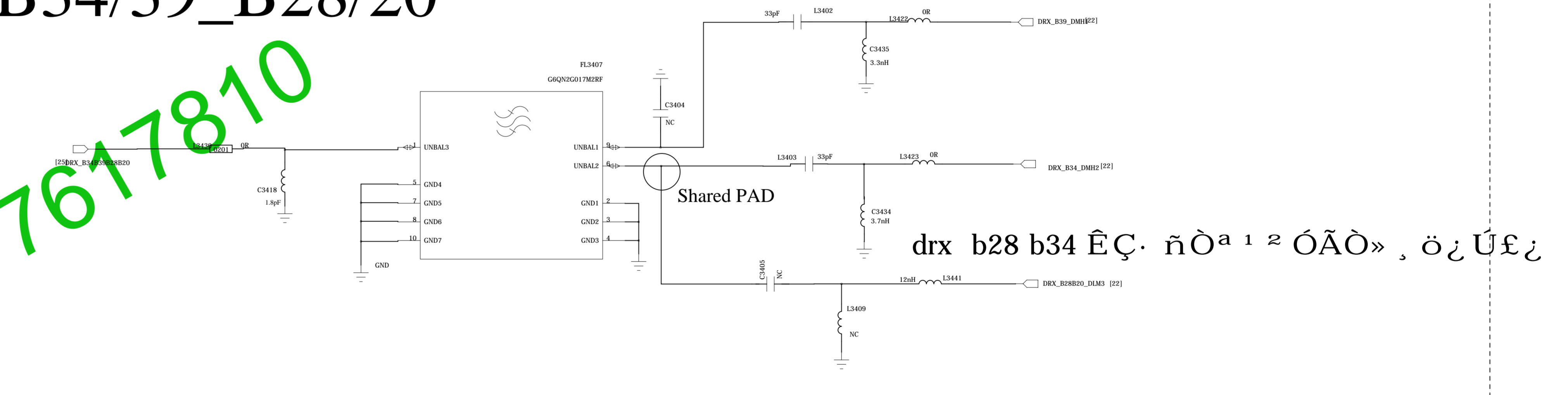
B7_DRX



B3_DRX



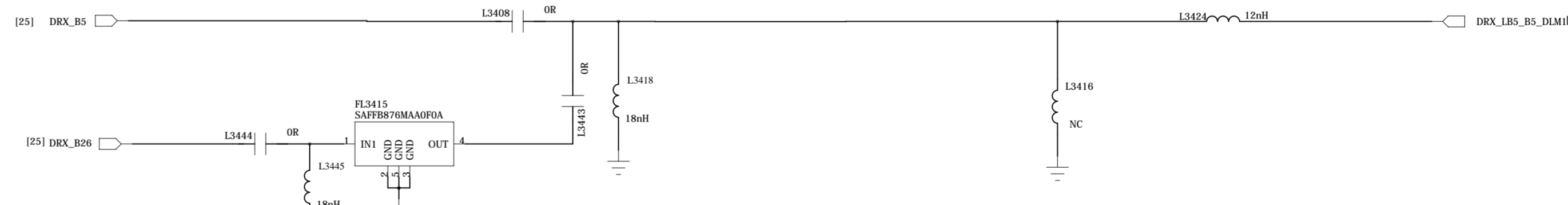
DRX_B34/39_B28/20



B1/4_DRX



B5_DRX



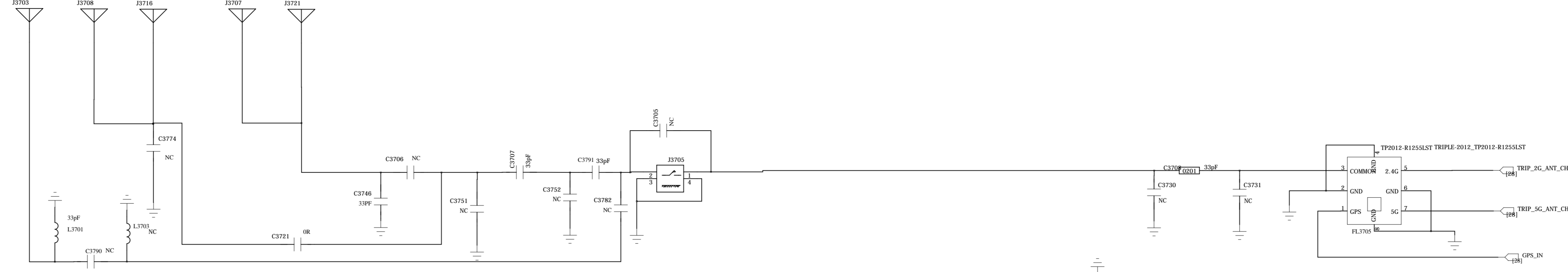
B8 DRX



COMPANY: <Company Name>			
TITLE: 21_LTE_B7			
CODE: <Code>	SIZE: A0	DRAWING NO: <Drawing Number>	REV: <Revision>
DESIGN: LiuMengya	DATE: <Drawn Date>		

REVISION RECORD			
ITER	ECO NO.	APPROVED	DATE

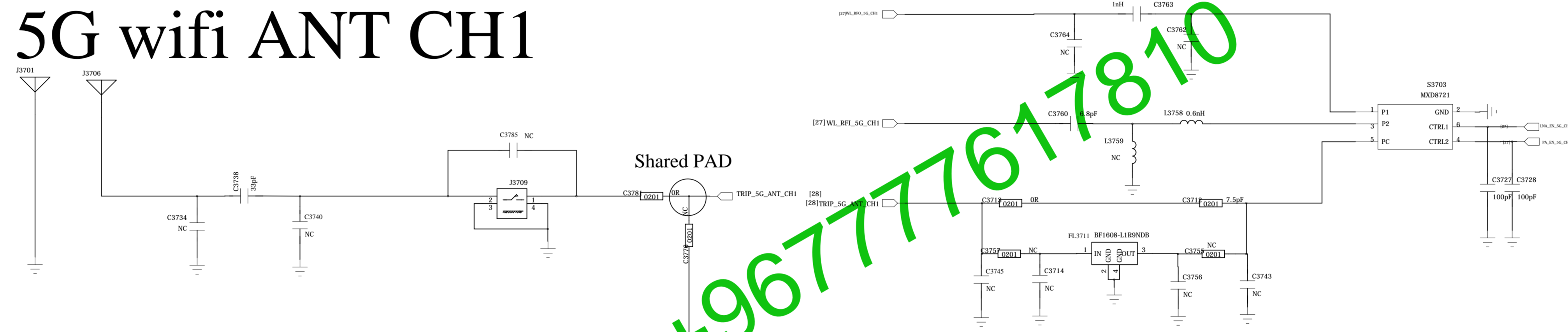
GPS_2G_5G_ANT CHO



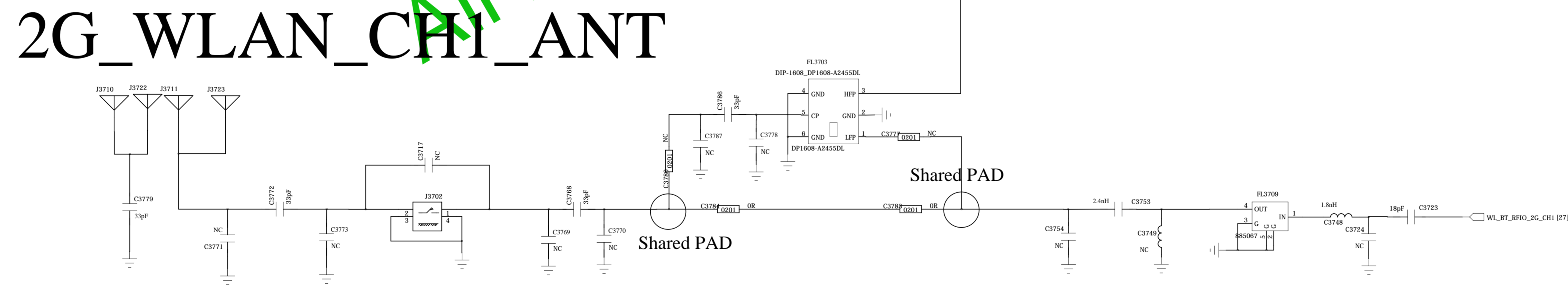
2G_5G_WLAN_CHO



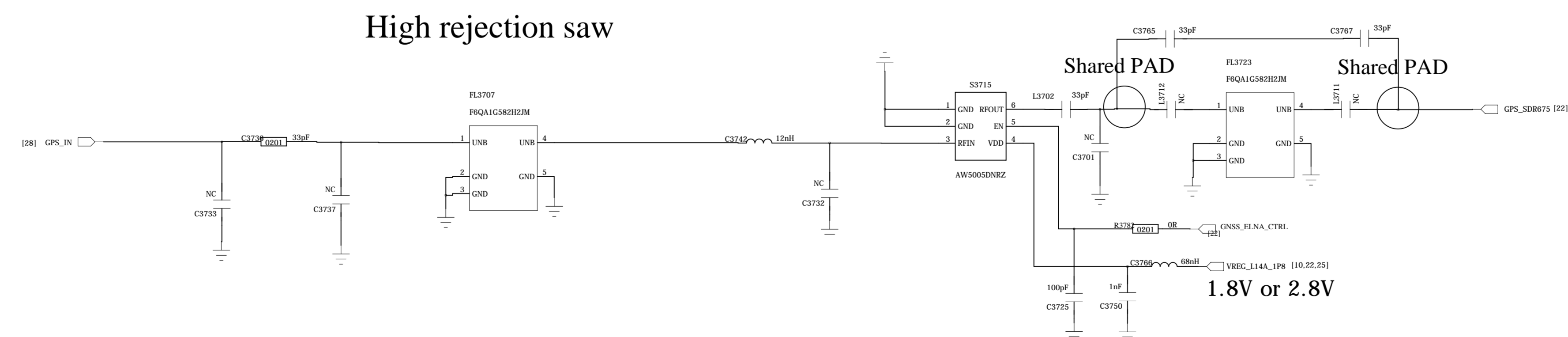
5G wifi ANT CH1



2G_WLAN_CH1_ANT



GPS

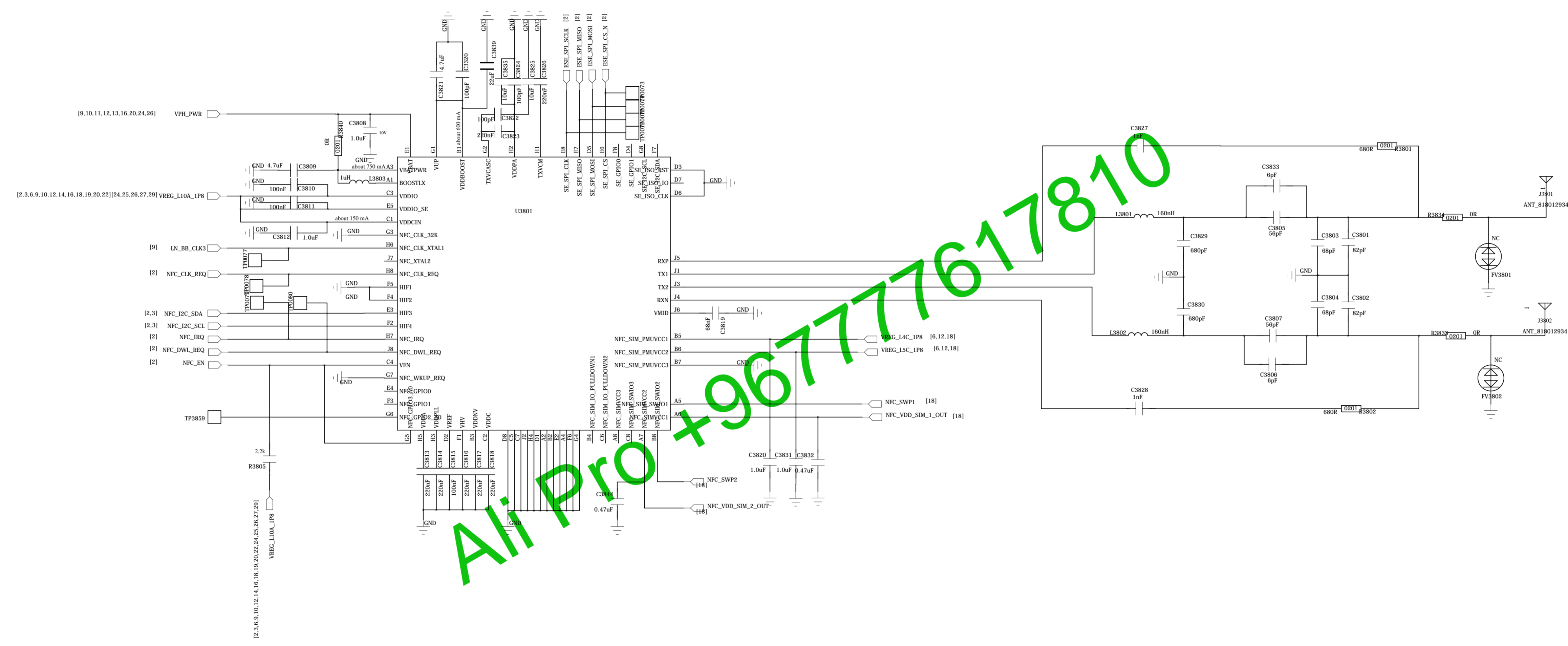


Ali Pro +967777617810

COMPANY: <Company Name>			
TITLE: <Title>			
DRAWN: <Drawn By>	DATE: <Drawn Date>		
CHECKED: <Checked By>	DATE: <Checked Date>	CODE: <Code>	SIZE: A0
QUALITY CONTROL: <QC By>	DATE: <QC Date>	DRAWING NO: <Drawing Number>	
RELEASED: <Released By>	DATE: <Release Date>	REVISION: <Revision>	

REVISION RECORD			
ITR	ECO NO.	APPROVED	DATE

NFC



DRAWN: <Drawn By>		DATE: <Drawn Date>		COMPANY: <Company Name>	
CHECKED: <Checked By>		DATE: <Checked Date>		TITLE: <Title>	
QUALITY CONTROL: <QC By>		DATE: <QC Date>		CODE: <Code>	SIZE: A0
RELEASED: <Released By>		DATE: <Release Date>		DRAWING NO: <Drawing Number>	
		SCALE: <Scale>		REV: <Revision>	
				SHEET 29 30	

A1-B1

1.LCD POWER change to L18A

2.del R3308

REVISION RECORD			
ITR	ECO NO	APPROVED	DATE

Ali Pro +967777617810

COMPANY: <Company Name>

TITLE: <Title>

DRAWN: <Drawn By>	DATE: <Drawn Date>	CODE:	SIZE:	DRAWING NO:	REV:
CHECKED: <Checked By>	DATE: <Checked Date>	< Code >	A0<Drawing Number	Revision>	
QUALITY CONTROL: <QC By>	DATE: <QC Date>	<Scale>			
RELEASED: <Released By>	DATE: <Release Date>				SHEET 30 30

D

D

C

C

B

B

A

A