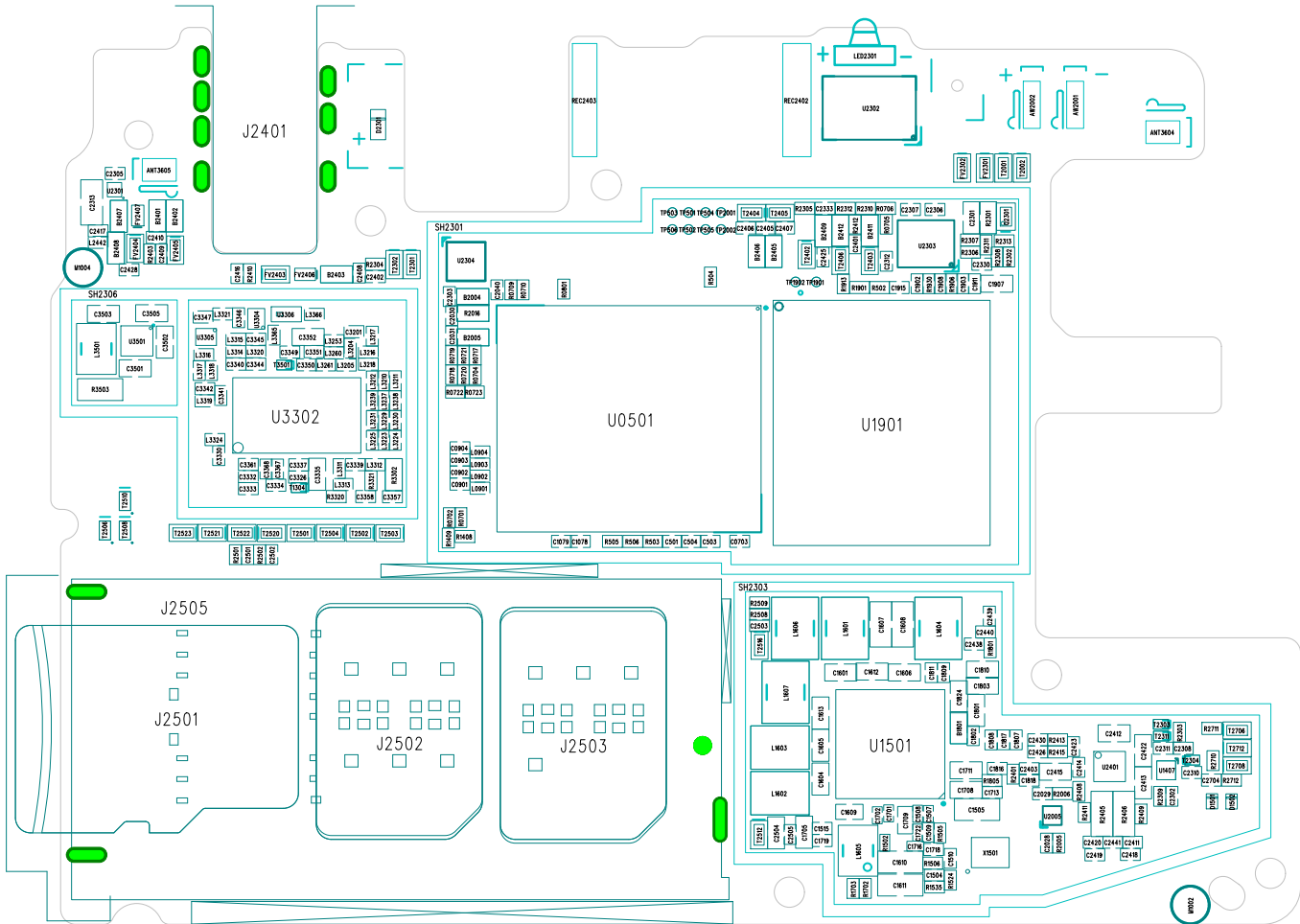
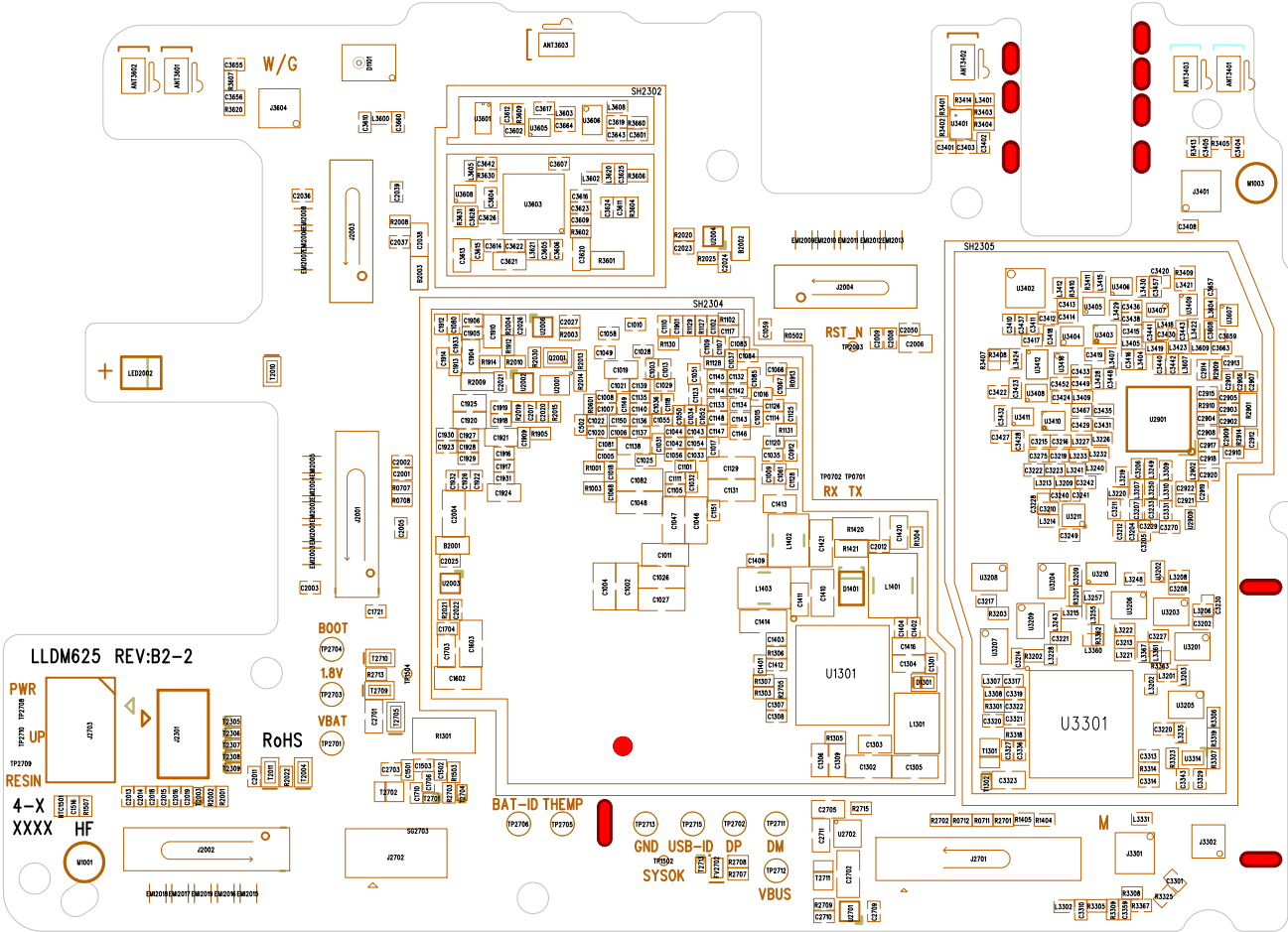


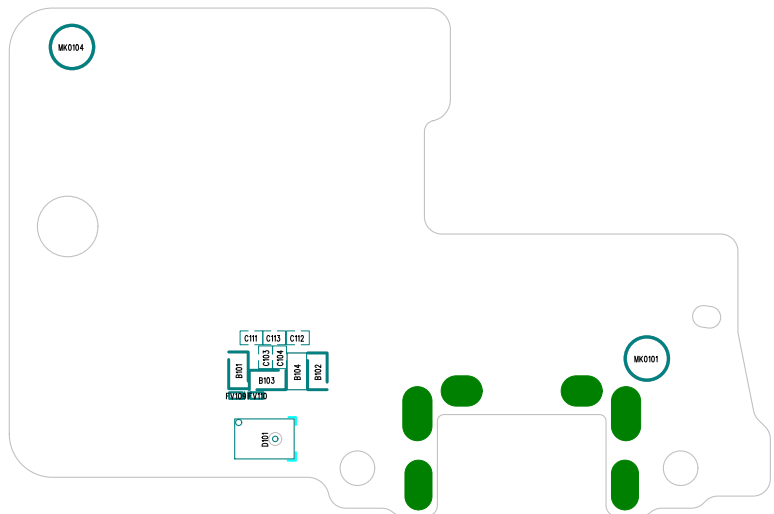
# VIETMOBILE.VN



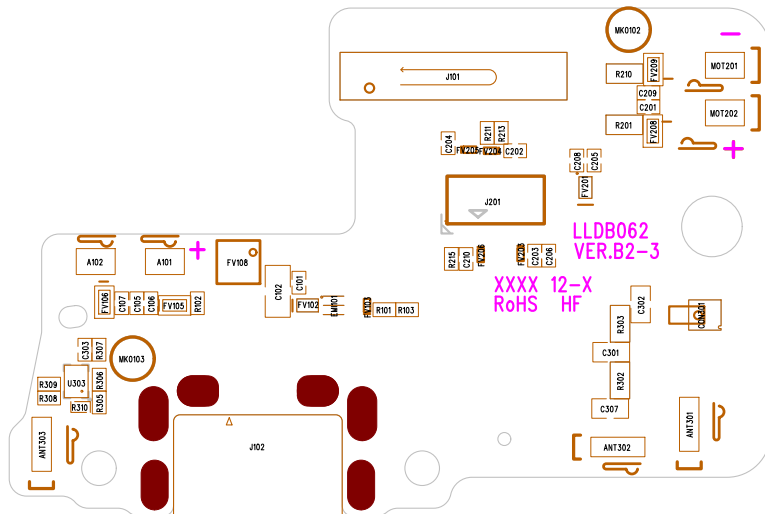
# VIETMOBILE.VN



# VIETMOBILE.VN



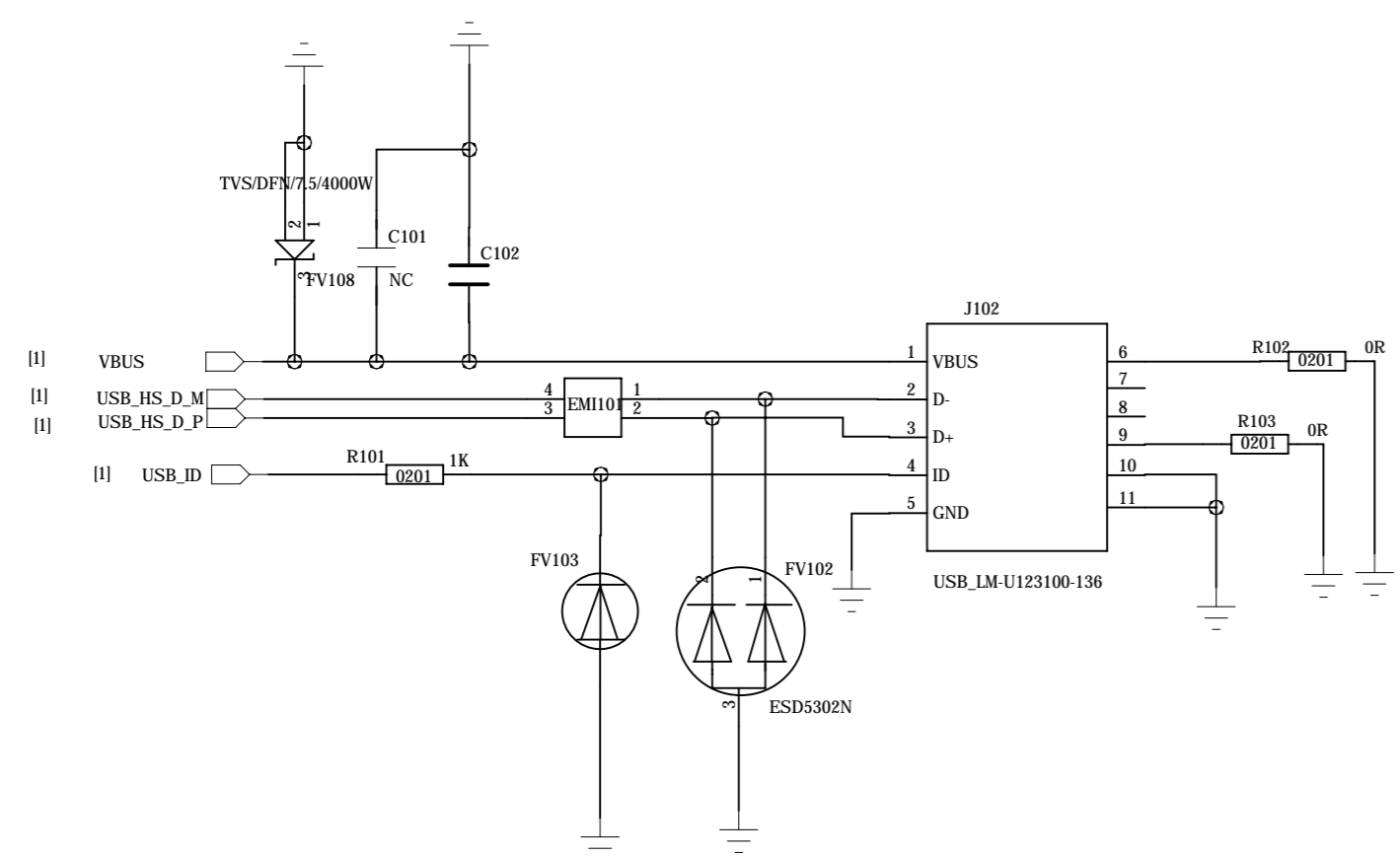
# VIETMOBILE.VN



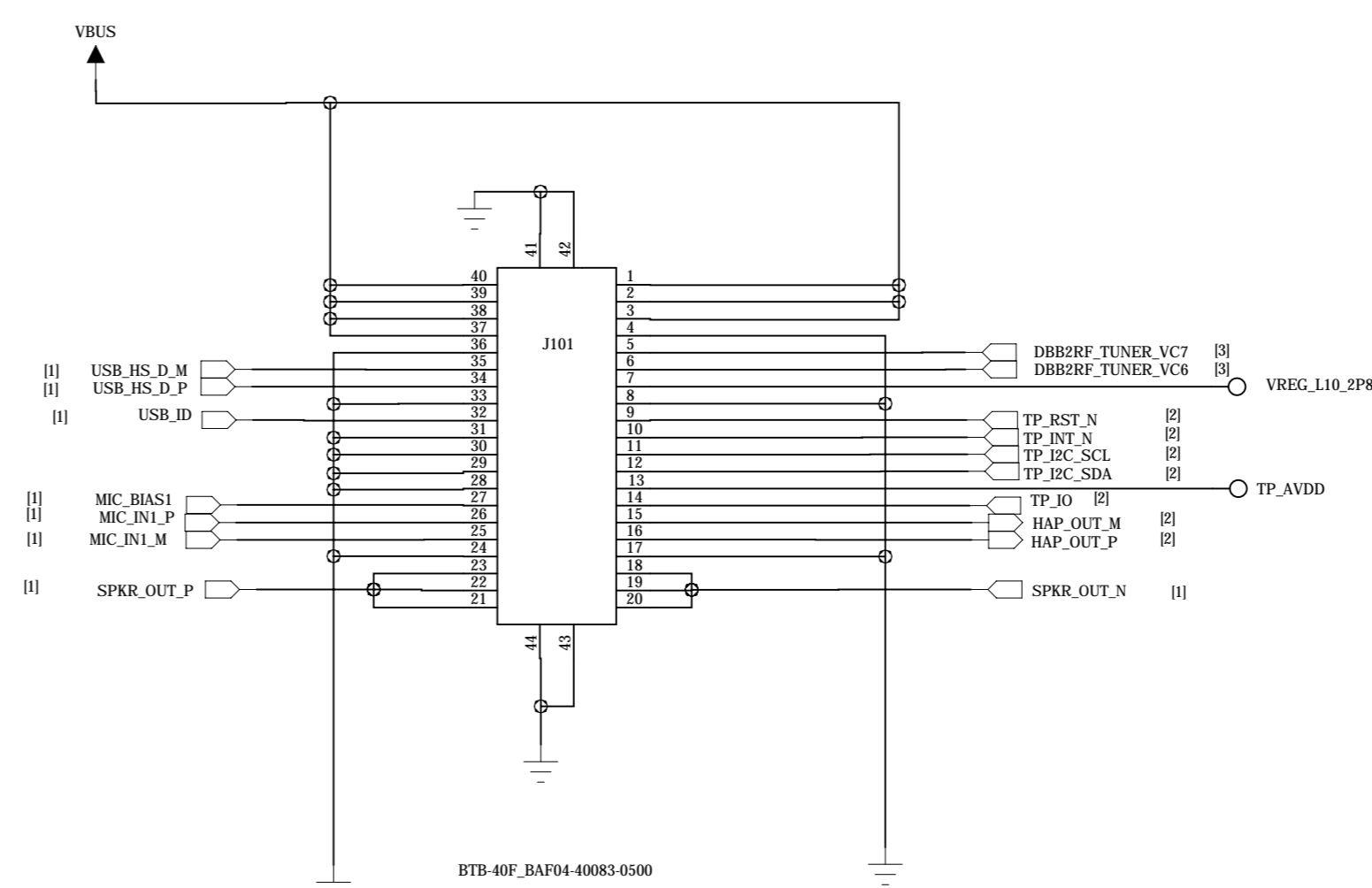


REVISION RECORD			
LTR	ECO NO.	APPROVED:	DATE:

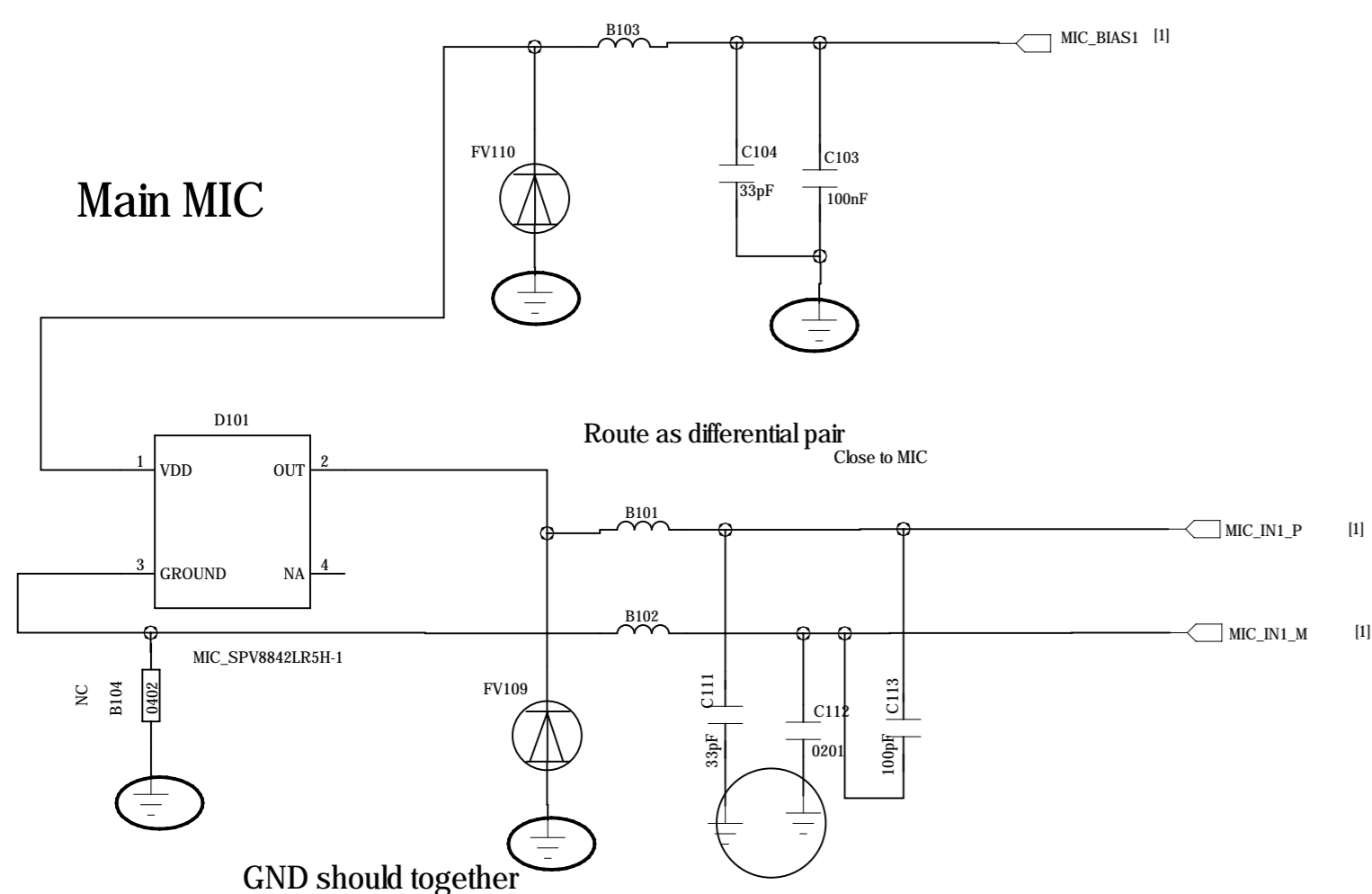
### USB Connector



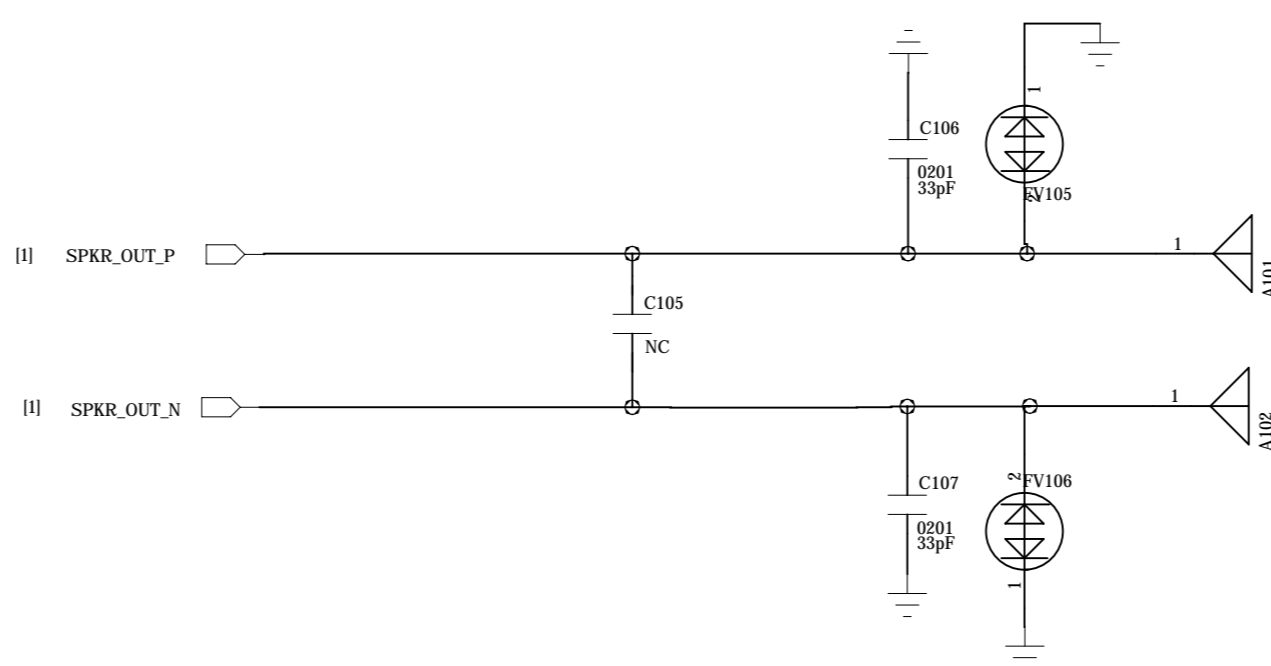
### SUB connector



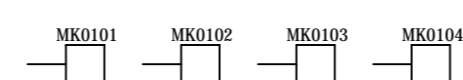
### Main MIC



### SPK



GND should together



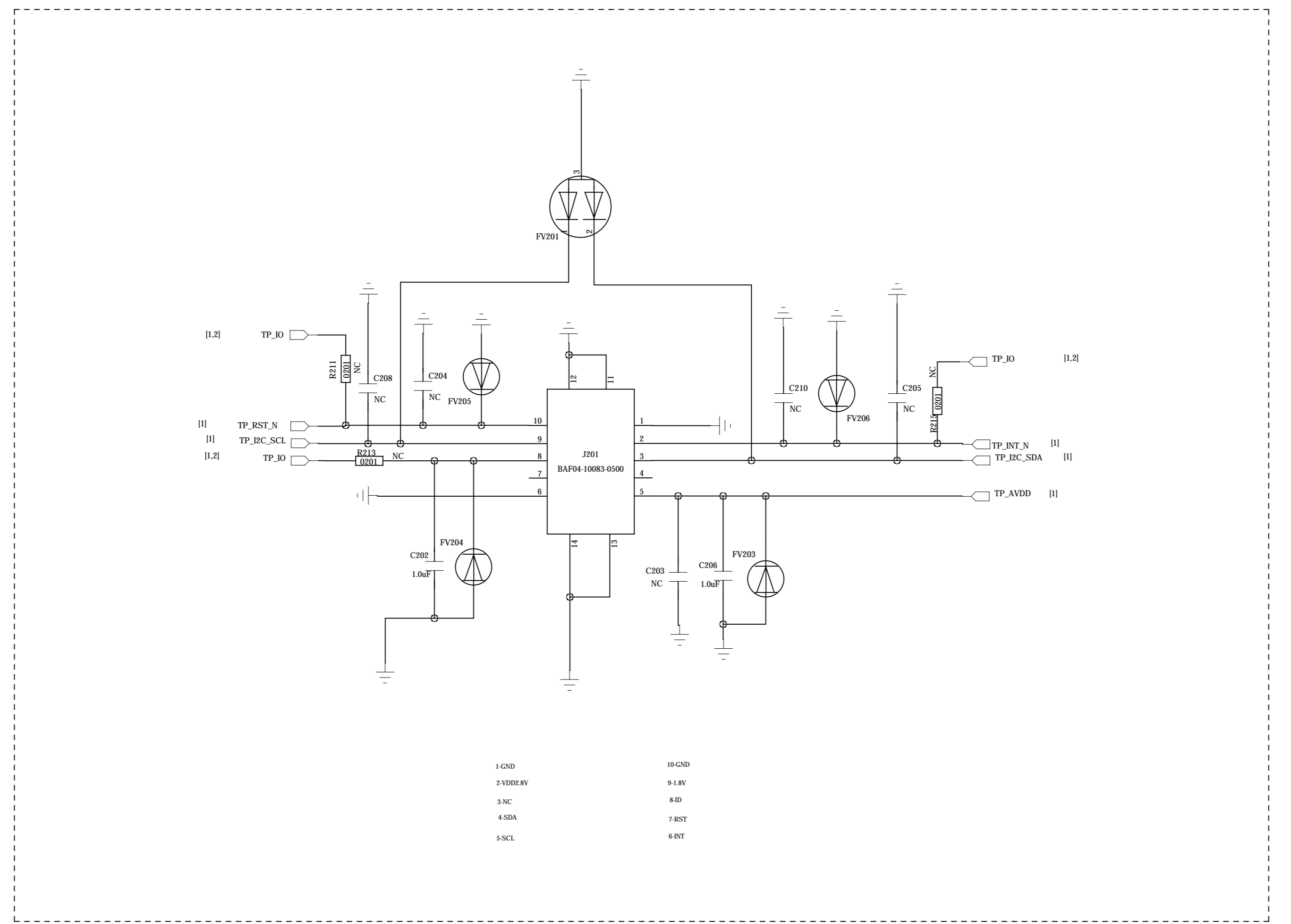
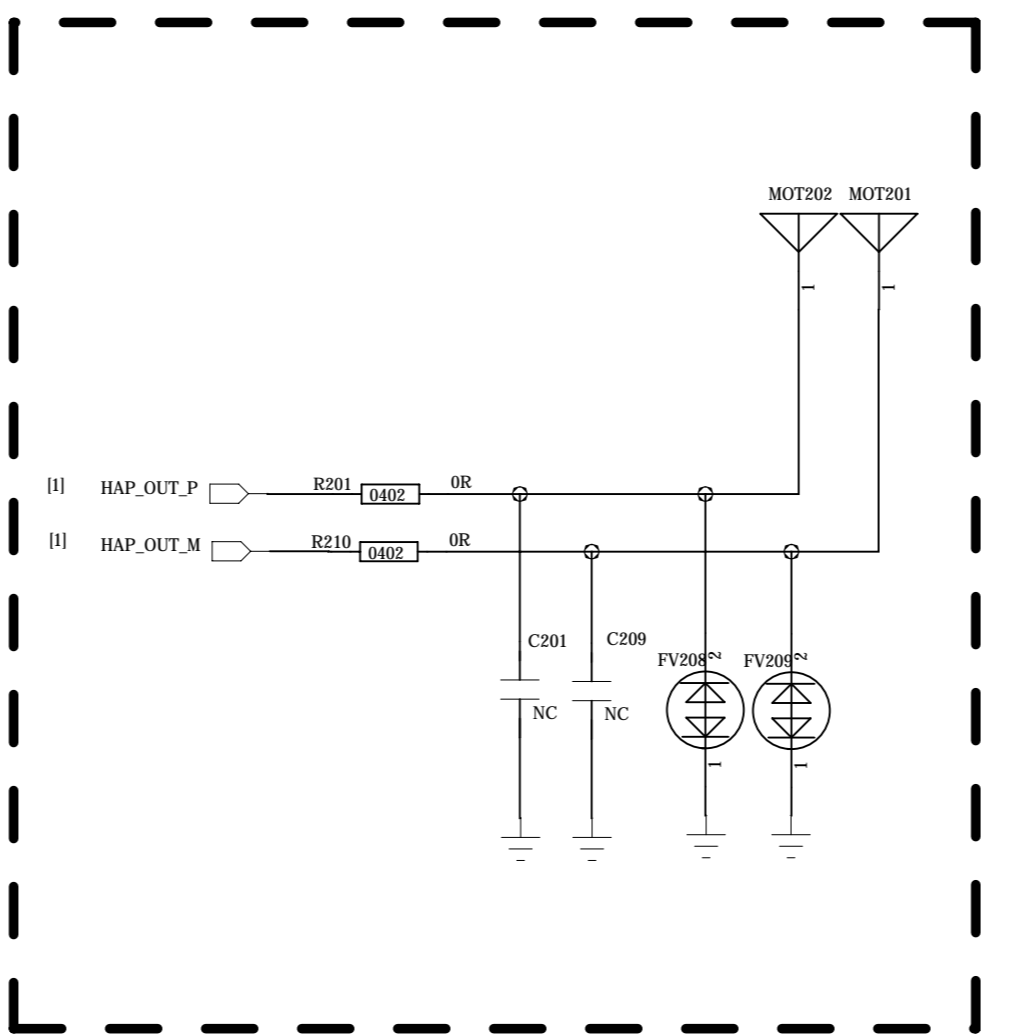
COMPANY: <Company Name>

TITLE: <Title>

DRAWN: <Drawn By>	DATED: <Drawn Date>	CODE:	SIZE:	DRAWING NO.:	REV.:
CHECKED: <Checked By>	DATED: <Checked Date>	<Code> A1 <Drawing Number><Revision>			
QUALITY CONTROL: <QC By>	DATED: <QC Date>				
RELEASED: <Released By>	DATED: <Release Date>	SCALE: <Scale>	SHEET: 1F 3		

REVISION RECORD			
LTR	ECO NO.	APPROVED	DATE

Front camera FLASH\_LED  
ELCS14B-KB4247J6J8283910-FCZ(M)



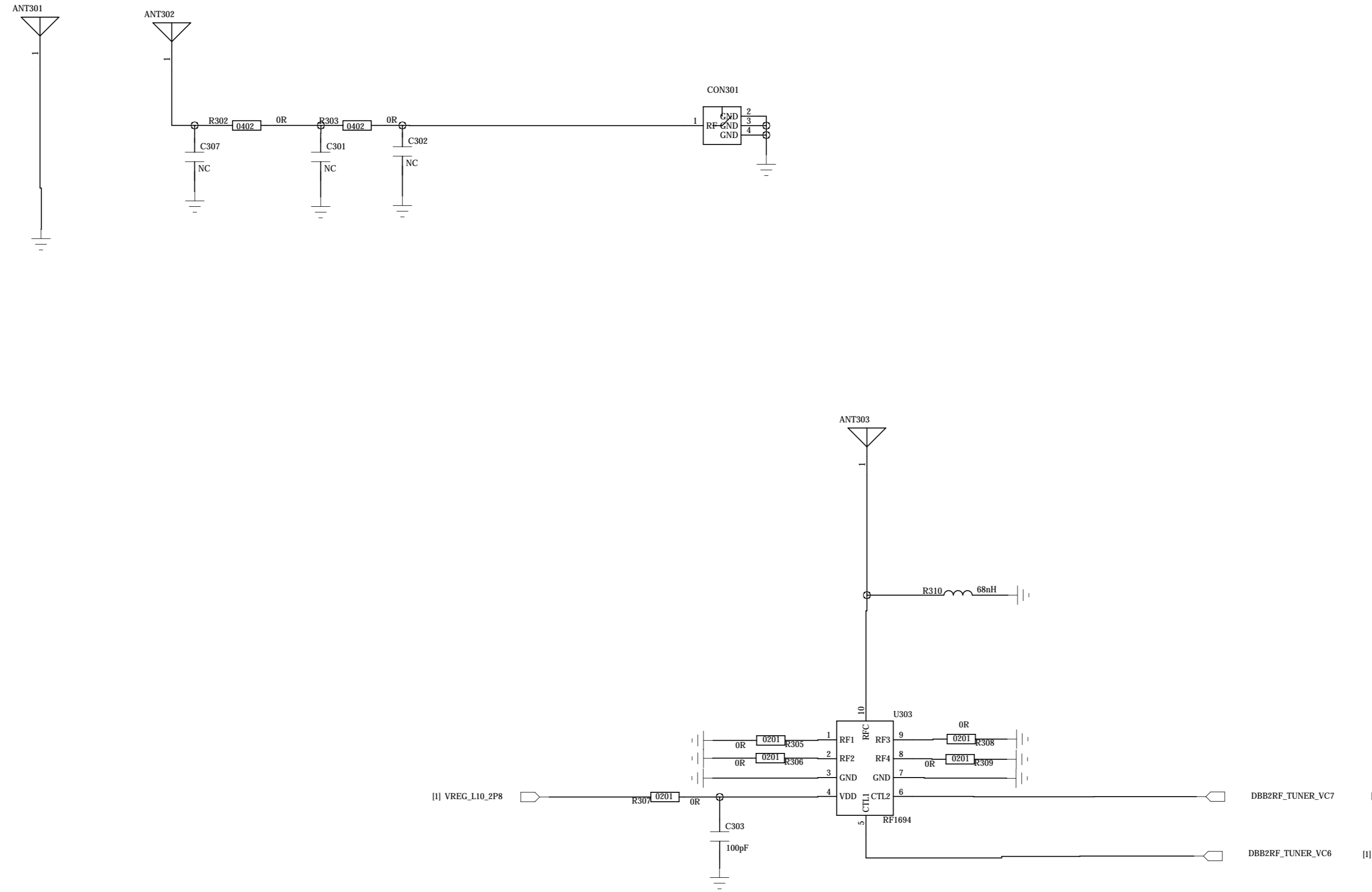
COMPANY: <Company Name>

TITLE: <Title>

DRAWN: <Drawn By>	DATED: <Drawn Date>
CHECKED: <Checked By>	DATED: <Checked Date>
QUALITY CONTROL: <QC By>	DATED: <QC Date>
RELEASED: <Released By>	DATED: <Release Date>

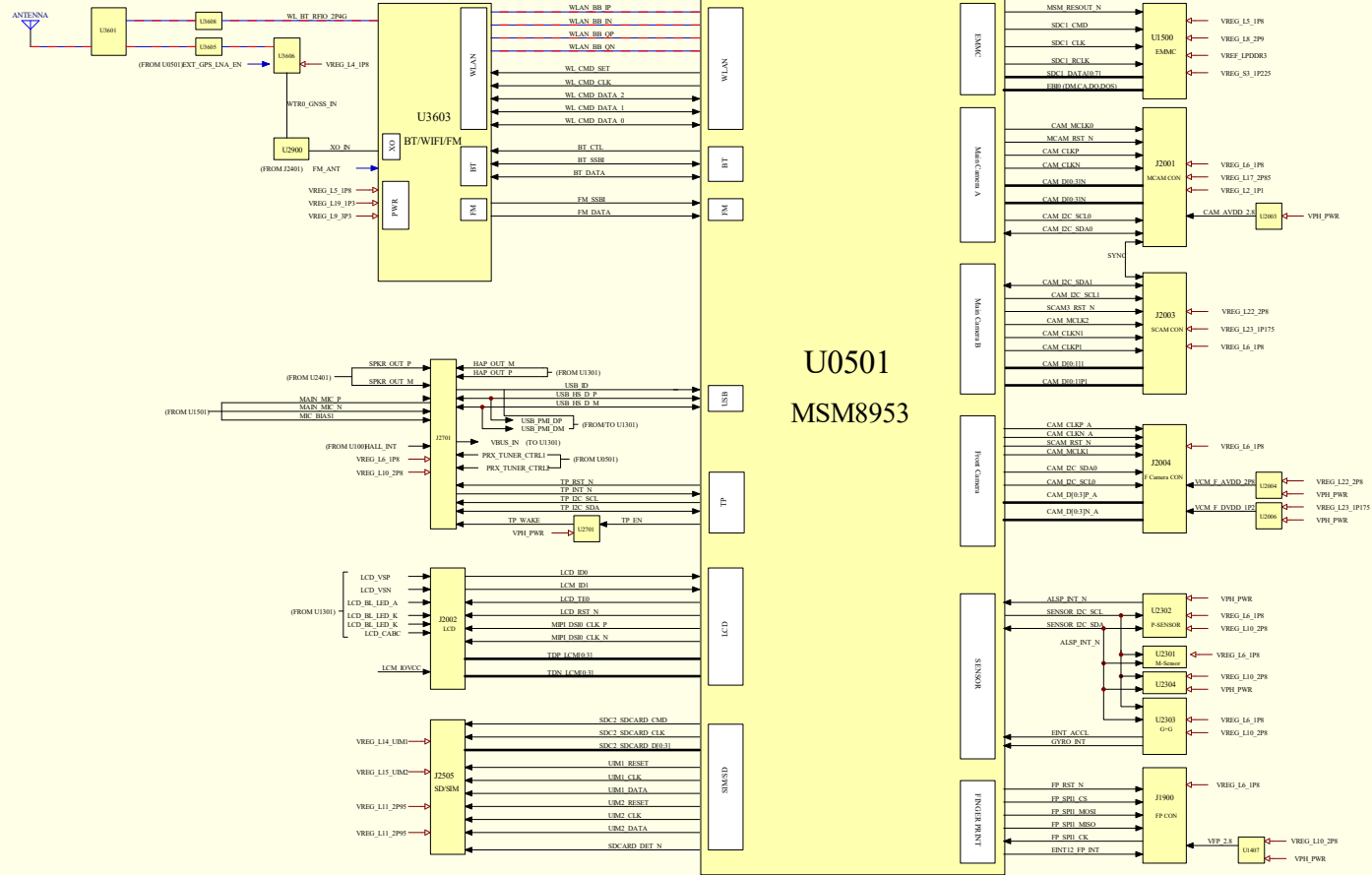
CODE:	SIZE:	DRAWING NO.:	REV.:
<Code>	A1	<Drawing Number>	<Revision>
SCALE: <Scale>		SHEET: 2# 3	

REVISION RECORD			
LTR	ECO NO.	APPROVED	DATE

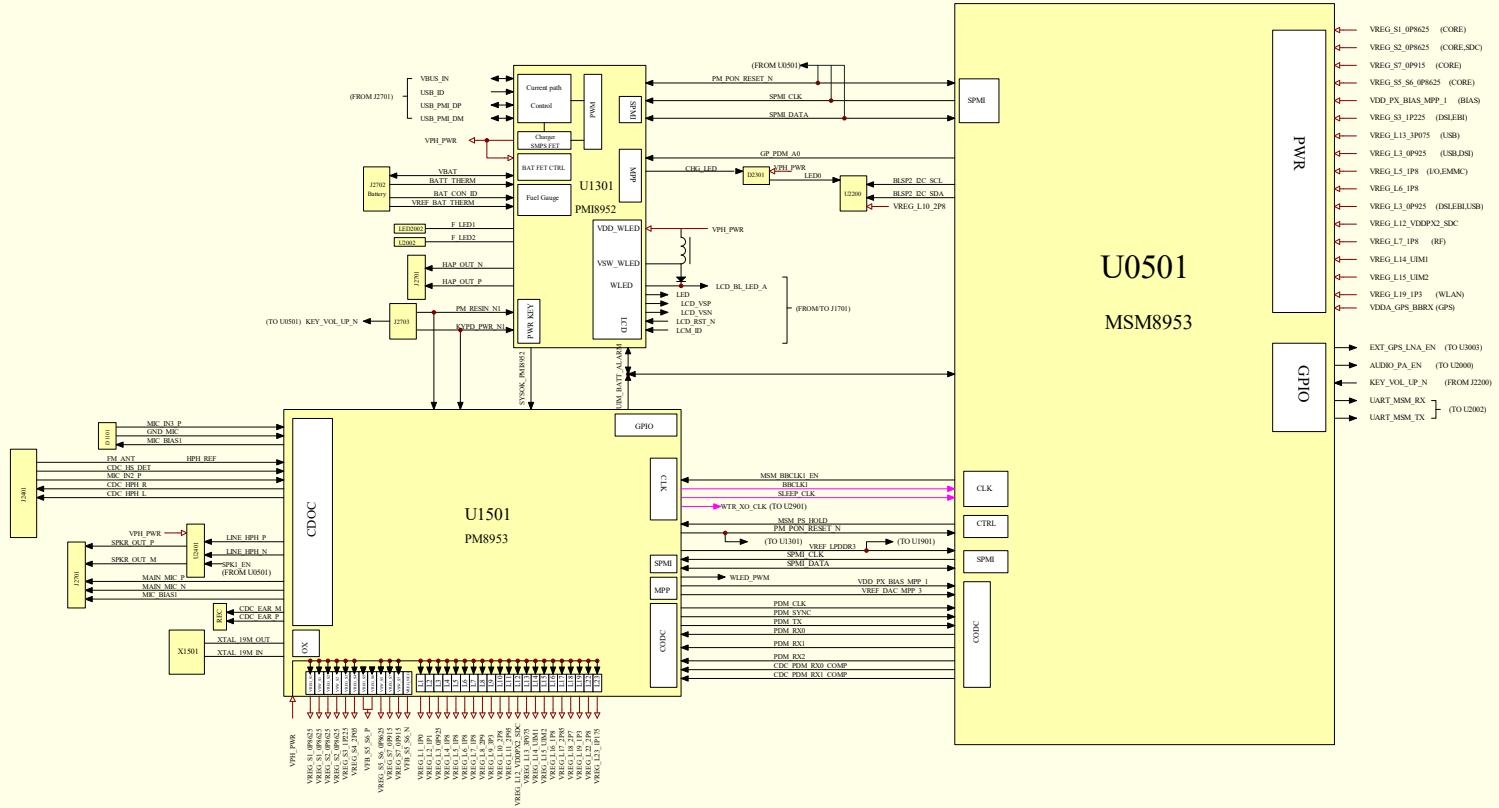


COMPANY: <Company Name>			
TITLE: <Title>			
DRAWN: <Drawn By>	DATED: <Drawn Date>		
CHECKED: <Checked By>	DATED: <Checked Date>	CODE: <Code>	SIZE: A1
QUALITY CONTROL: <QC By>	DATED: <QC Date>	DRAWING NO: <Drawing Number>	
RELEASED: <Released By>	DATED: <Release Date>	REV: <Revision>	
SCALE: <Scale>		SHEET: 3 of 3	

# BB三级框图

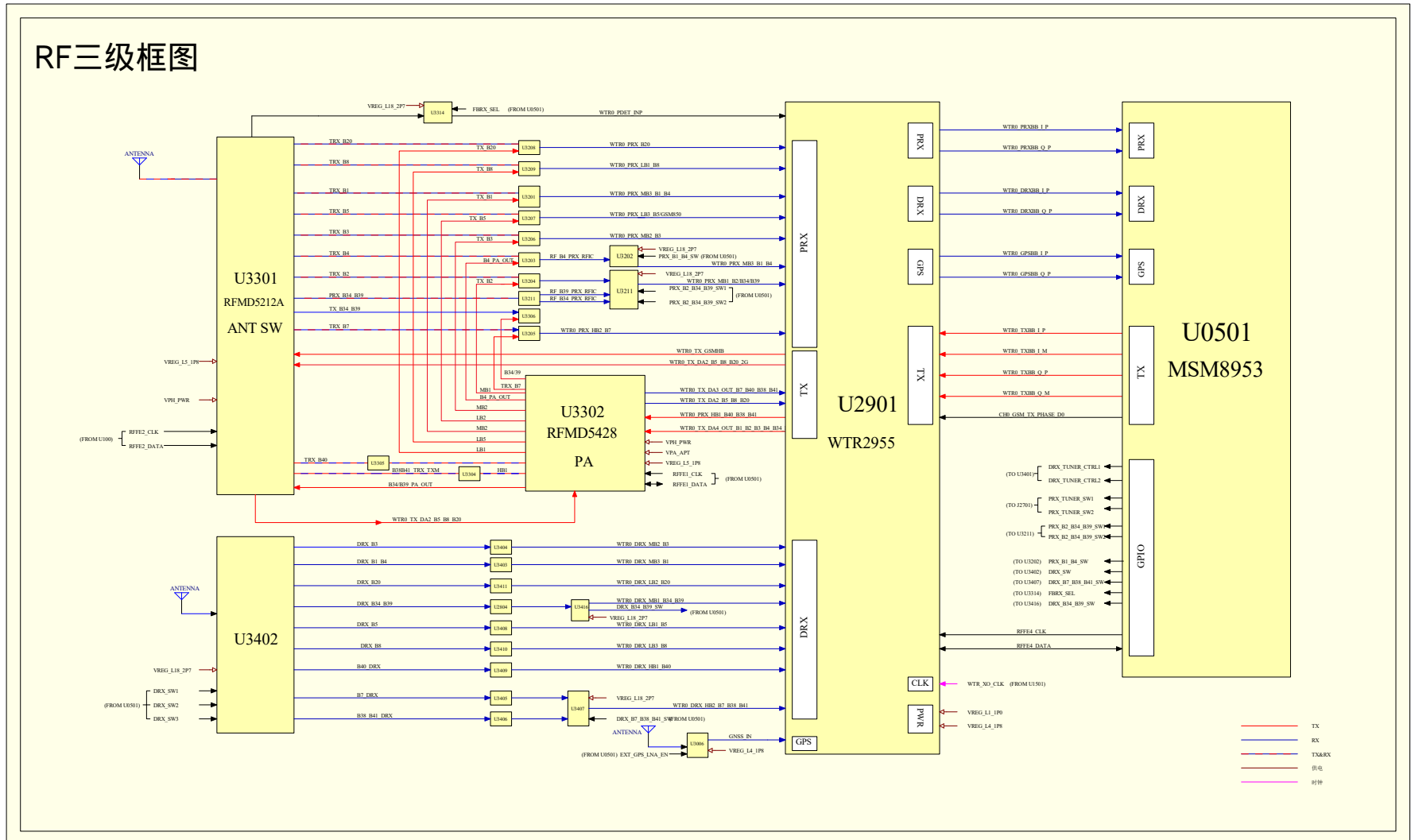


# PM三级框图



# VIETMOBILE.VN

## RF三级框图



Sheet #	Content	Sheet #	Content
01.	Table of Content	36.	TRX_MB
02.	Revision History	37.	TRX_HB
03.	Block Diagram	38.	PRX_MATCHING
04.	GPIO MAP	39.	DRX_MATCHING
05.	MSM8953 Control	40.	NC
06.	MSM8953 EBI	41.	DRX_FILTER
07.	MSM8953 GPIO	42.	DRX_SP4T_ANT
08.	MSM8953 MIPI	43.	QFE2101
09.	MSM8953 RF	44.	NC
10.	MSM8953 POWER1	45.	NC
11.	MSM8953 POWER2	46.	NC
12.	MSM8953 GND	47.	WCN3680B
13.	PMI8952 Charger	48.	WLAN_FEM
14.	PMI8952 Control/Interface	49.	GPS
		50.	NFC
		51.	Change list

REV. NO.	APPROVED	DATE

DRAWN: <Drawn By>		DATE: <Drawn Date>	
CHECKED: <Checked By>		DATE: <Checked Date>	
QUALITY CONTROL: <QC By>		DATE: <QC Date>	
RELEASED: <Released By>		DATE: <Release Date>	
CODE: <Code>	SIZE: A0	DRAWING NO: <Drawing Number>	REV: <Revision>
SCALE: <Scale>		SHEET: 1 of 31	

NOT TO BE USED, COPIED, REPRODUCED IN WHOLE OR IN PART, NOR ITS CONTENTS REVEALED IN ANY MANNER TO OTHERS WITHOUT THE EXPRESS WRITTEN PERMISSION OF QUALCOMM

TABLE OF CONTENT

QUALCOMM Technologies, Inc.  
 3501 La Jolla Village Drive  
 San Diego, CA 92121-1714  
 U.S.A.

Title: \_\_\_\_\_  
 Date: \_\_\_\_\_

### Revision History

REV	DESCRIPTION
A	EVT2.0 Initial release

### Board Change History

SCHEMATIC MCN	HW VERSION	REVISION	DESCRIPTION OF CHANGE
LD20-P3555	EVT1.1	A	EVT1.1 pre-liminary release
LD20-P4374	EVT2.0	A	EVT2.0 Initial release, the details refer to EVT2.0 change list in "Change list" page

NOT TO BE USED, COPIED, REPRODUCED IN WHOLE OR IN PART, NOR ITS CONTENTS REVEALED IN ANY MANNER TO OTHERS WITHOUT THE EXPRESS WRITTEN PERMISSION OF QUALCOMM

### Revision History

QUALCOMM Technologies, Inc. 3501 La Jolla Village Drive San Diego, CA 92121-1714 U.S.A.	
<b>Title</b>	
Date: _____ Drawn: _____ Check: _____	Date: _____ Drawn: _____ Check: _____



RF Topology

NOT TO BE USED, COPIED, REPRODUCED IN WHOLE OR IN PART, NOR  
ITS CONTENTS REVEALED IN ANY MANNER TO OTHERS WITHOUT THE  
EXPRESS WRITTEN PERMISSION OF QUALCOMM

Block Diagram

QUALCOMM Technologies, Inc.  
3891 La Tijera Avenue Drive  
San Diego, CA 92121-1714  
U.S.A.

<b>Title</b>	
Sheet	Rev
Date	Drawn by

**MSM8953 GPIO Configuration For QRD8953**

GPIO_0	NFC_SPI_ESE_MOSI	GPIO_41		GPIO_82	FM_DATA
GPIO_1	NFC_SPI_ESE_MISO	GPIO_42	ACCL_INT1	GPIO_83	BT_CTL
GPIO_2	NFC_SPI_ESE_CS_N	GPIO_43	ALSP_INT_N	GPIO_84	BT_DATA
GPIO_3	NFC_SPI_ESE_CLK	GPIO_44	MAG_DRY_INT	GPIO_85	KEY_VOL_UP_N
GPIO_4	UART_MSM_TX	GPIO_45	GYRO_INT	GPIO_86	
GPIO_5	UART_MSM_RX	GPIO_46	SCAM_D_ELDO_EN	GPIO_87	
GPIO_6		GPIO_47	SENSOR_SPI_CS2_N	GPIO_88	
GPIO_7		GPIO_48	FP_INT_N	GPIO_89	
GPIO_8		GPIO_49	UIM_BATT_ALARM	GPIO_90	
GPIO_9		GPIO_50	WCD_ELDO_EN	GPIO_91	
GPIO_10	TP_I2C_SDA	GPIO_51	UIM1_DATA	GPIO_92	
GPIO_11	TP_I2C_SCL	GPIO_52	UIM1_CLK	GPIO_93	SCAM_ID
GPIO_12		GPIO_53	UIM1_RESET	GPIO_94	
GPIO_13		GPIO_54		GPIO_95	
GPIO_14	SENSOR_I2C_SDA	GPIO_55	UIM2_DATA	GPIO_96	WSA_EN
GPIO_15	SENSOR_I2C_SCL	GPIO_56	UIM2_CLK	GPIO_97	
GPIO_16	NFC_DISABLE	GPIO_57	UIM2_RESET	GPIO_98	
GPIO_17	NFC_IRQ	GPIO_58		GPIO_99	
GPIO_18	NFC_I2C_SDA	GPIO_59		GPIO_100	GRPC0_SEL
GPIO_19	NFC_I2C_SCL	GPIO_60	GP_FEM_A0	GPIO_101	GRFC1_SEL
GPIO_20	SENSOR_SPI_MOSI	GPIO_61	LCD_RST_N	GPIO_102	GRFC2_SEL
GPIO_21	SENSOR_SPI_MISO	GPIO_62	NFC_DWL_REQ	GPIO_103	GRFC3_SEL
GPIO_22	SENSOR_SPI_CS0_N	GPIO_63		GPIO_104	GRFC4_SEL
GPIO_23	SENSOR_SPI_CLK	GPIO_64	TP_RST_N	GPIO_105	GRFC5_SEL
GPIO_24	LCD_TE0	GPIO_65	TP_INT_N	GPIO_106	WDOG_DISABLE
GPIO_25		GPIO_66		GPIO_107	GRFC7_SEL
GPIO_26	CAM_MCLK0	GPIO_67	WCD_RST_N	GPIO_108	GRFC8_SEL
GPIO_27	CAM_MCLK1	GPIO_68		GPIO_109	GRFC9_SEL
GPIO_28		GPIO_69	WCD_MSM_MCLK	GPIO_110	
GPIO_29	CAM_I2C_SDA0	GPIO_70	SLIMBUS_CLK	GPIO_111	
GPIO_30	CAM_I2C_SCL0	GPIO_71	SLIMBUS_DATA0	GPIO_112	
GPIO_31	CAM_I2C_SDA1	GPIO_72		GPIO_113	
GPIO_32	CAM_I2C_SDA1	GPIO_73	WCD_INTR1	GPIO_114	
GPIO_33		GPIO_74	WCD_INTR2	GPIO_115	
GPIO_34	FLASH_STROBE_NOW	GPIO_75	BT_SSB1	GPIO_116	EXT_GPS_LINA_EN
GPIO_35		GPIO_76	WL_CMD_DATA_2	GPIO_117	CH0_GSM_TX_PHASE_D0
GPIO_36		GPIO_77	WL_CMD_DATA_1	GPIO_118	RFFE1_CLK
GPIO_37	FORCE_USB_BOOT	GPIO_78	WL_CMD_DATA_0	GPIO_119	RFFE1_DATA
GPIO_38		GPIO_79	WL_CMD_SET	GPIO_120	RFFE2_CLK
GPIO_39	MCAM_PWD_N	GPIO_80	WL_CMD_CLK	GPIO_121	RFFE2_DATA
GPIO_40	MCAM_RST_N	GPIO_81	FM_SSB1	GPIO_122	RFFE4_CLK

GPIO_123	RFFE4_DATA	GPIO_134	
GPIO_124		GPIO_135	FP_SPI_CLK
GPIO_125		GPIO_136	FP_SPI_CS
GPIO_126	RFFE3_CLK	GPIO_137	FP_SPI_MOSI
GPIO_127	RFFE3_DATA	GPIO_138	FP_SPI_MISO
GPIO_128		GPIO_139	USB_SS_SEL
GPIO_129	SCAM_RST_N	GPIO_140	FP_RST_N
GPIO_130	SCAM_PWD_N	GPIO_141	NFC_ESR_PWR_RBQ
GPIO_131			
GPIO_132			
GPIO_133	SDCARD_DET_N		

**PMI8952 GPIO/MPP Configuration For QRD8953**

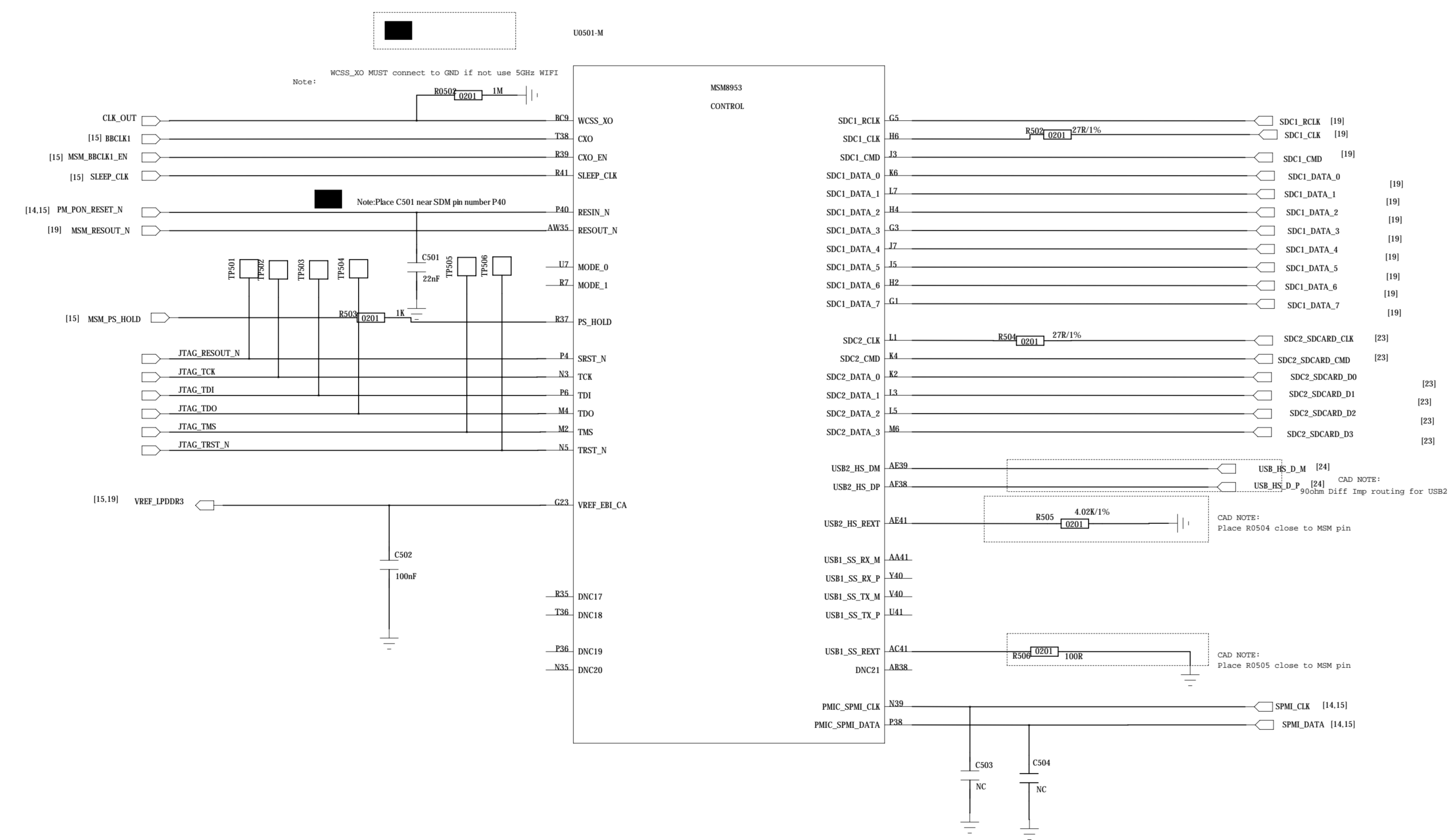
GPIO_1		MPP_1	
GPIO_2		MPP_2	GREEN_LED
		MPP_3	
		MPP_4	FLASH_STROBE_NOW

**PM8953 GPIO/MPP Configuration For QRD8953**

GPIO_1	CODEC_DIV_CLK	MPP_1	VDD_PX_BIAS_MPP_1
GPIO_2	NFC_CLK_REQ(SDCARD_DET_N)	MPP_2	PA_THERM1
GPIO_3	UIM_BATT_ALARM	MPP_3	VREF_DAC_MPP_3
GPIO_4		MPP_4	QUIET_THERM
GPIO_5			
GPIO_6			
GPIO_7	VBUS_USB_IN		
GPIO_8	USB_ID		

NOT TO BE USED, COPIED, REPRODUCED IN WHOLE OR IN PART, NOR ITS CONTENTS RELEASED IN ANY MANNER TO OTHERS WITHOUT THE EXPRESS WRITTEN PERMISSION OF QUALCOMM

**GPIO TABLE**

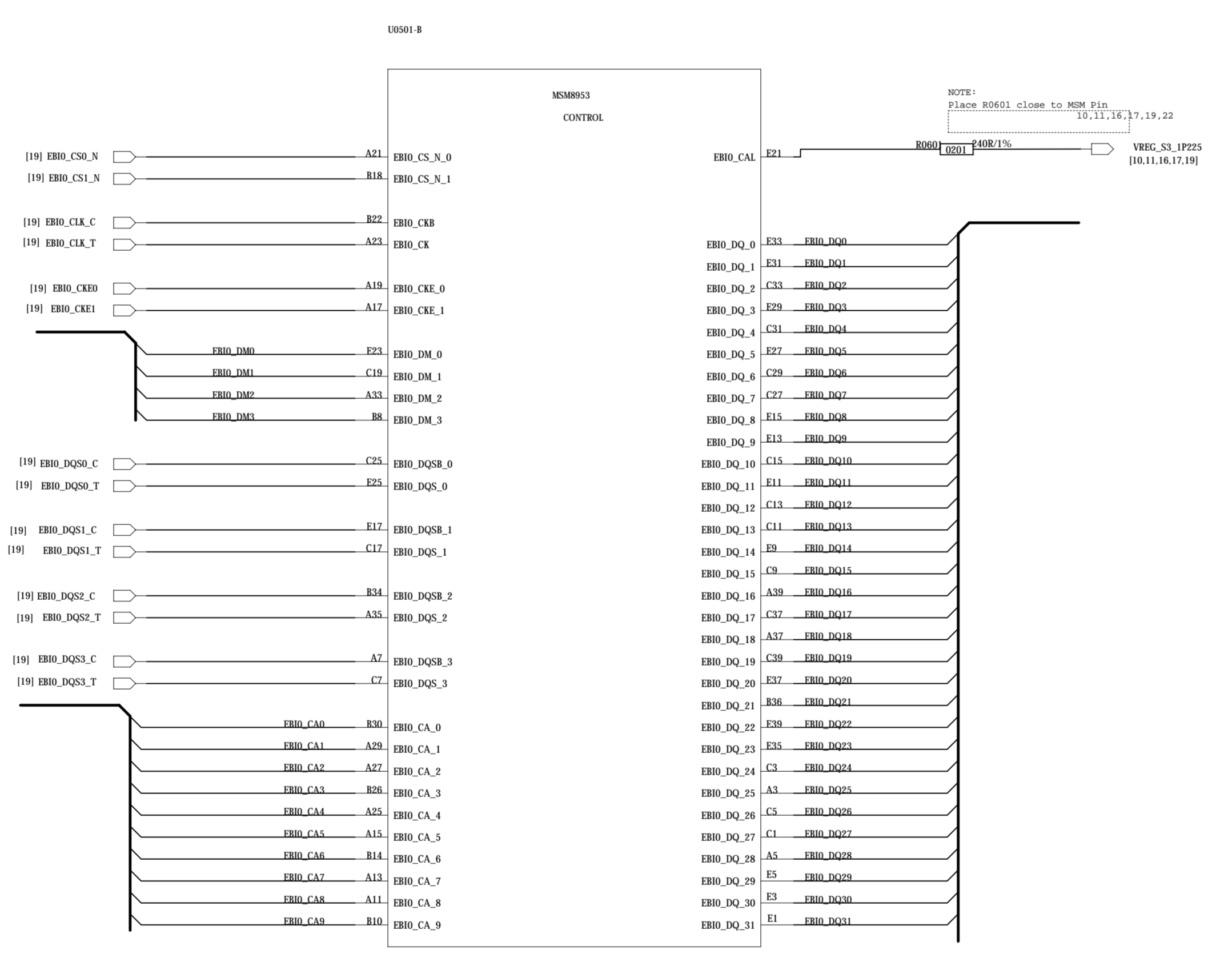


# MSM8953 Control

NOT TO BE USED, COPIED, REPRODUCED IN WHOLE OR IN PART, NOR ITS CONTENTS RELEASED IN ANY MANNER TO OTHERS WITHOUT THE EXPRESS WRITTEN PERMISSION OF QUALCOMM

QUALCOMM Technologies, Inc.  
San Diego, CA 92121-1714  
U.S.A.

<b>Title</b>		
Sheet	Rev	
Start	Page	End
Date	Drawn	Checked

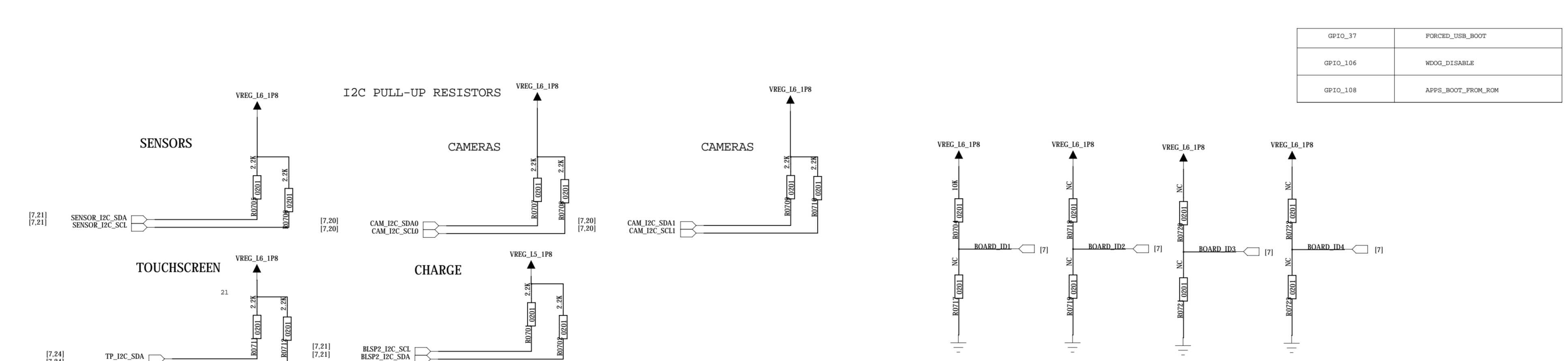
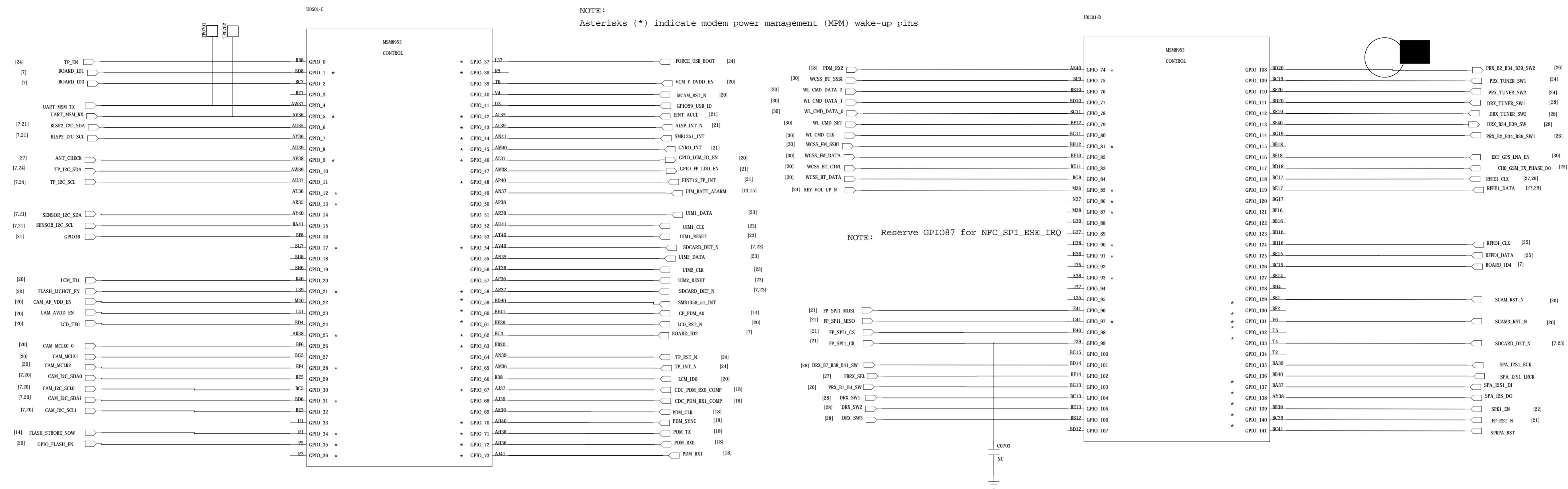


NOT TO BE USED, COPIED, REPRODUCED IN WHOLE OR IN PART, NOR ITS CONTENTS REVEALED IN ANY MANNER TO OTHERS WITHOUT THE EXPRESS WRITTEN PERMISSION OF QUALCOMM

# MSM8953 EBI

QUALCOMM Technologies, Inc.  
 5755 La Tijera Avenue  
 San Diego, CA 92121-1714  
 U.S.A.

Title: \_\_\_\_\_  
 Date: \_\_\_\_\_

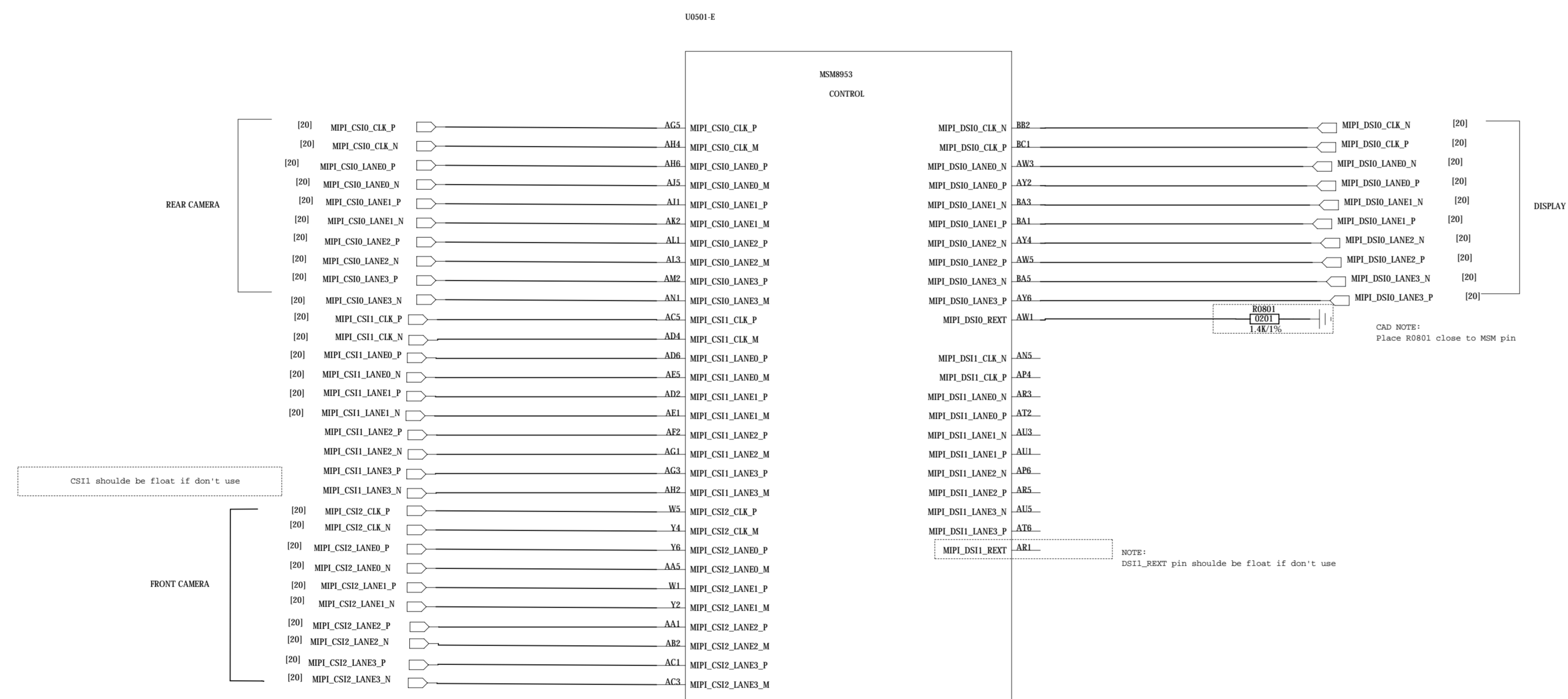


GPIO_37	FORCE_USB_BOOT	WAKE_GPIO10
GPIO_116	WAKE_DESIGNER	SDC3 -> SDC2 -> USB2.0
GPIO_148	APPS_BOOT_PROGRAM	SDC3 -> SDC2 -> USB2.0
		SDC3 -> USB2.0
		USB2.0

Default boot config (0000) is SDC3@9MC

NOTE:  
Ensure SW sets these GPIOs (Sensor, CTP and Camera I2C bus) to input pull down when the peripherals are powered off to eliminate leakage.

MSM8953 GPIO



CSI Pin Name	CSI DPHY 4-lane	CSI DPHY 2+1 Mode	CSI CPHY 3Phase Mode
CSI0_3PHASE_PIN0	CSI0_CLKP	CSI0_2LANE_CLKP	NC
CSI0_3PHASE_PIN1	CSI0_CLKN	CSI0_2LANE_CLKN	CSI0_TRIO_A
CSI0_3PHASE_PIN2	CSI0_DP0	CSI0_2LANE_DP0	CSI0_TRIO_B
CSI0_3PHASE_PIN3	CSI0_DN0	CSI0_2LANE_DN0	CSI0_TRIO_C
CSI0_3PHASE_PIN4	CSI0_DP1	CSI0_2LANE_DP1	CSI0_TR11_A
CSI0_3PHASE_PIN5	CSI0_DN1	CSI0_2LANE_DN1	CSI0_TR11_B
CSI0_3PHASE_PIN6	CSI0_DP2	CSI0_1LANE_DP0	CSI0_TR11_C
CSI0_3PHASE_PIN7	CSI0_DN2	CSI0_1LANE_DN0	CSI0_TR12_A
CSI0_3PHASE_PIN8	CSI0_DP3	CSI0_1LANE_CLKP	CSI0_TR12_B
CSI0_3PHASE_PIN9	CSI0_DN3	CSI0_2LANE_CLKP	CSI0_TR12_C
CSI1_3PHASE_PIN1	CSI1_CLKN	CSI1_2LANE_CLKN	CSI1_TR10_A
CSI1_3PHASE_PIN2	CSI1_DP0	CSI1_2LANE_DP0	CSI1_TR10_B
CSI1_3PHASE_PIN3	CSI1_DN0	CSI1_2LANE_DN0	CSI1_TR10_C
CSI1_3PHASE_PIN4	CSI1_DP1	CSI1_2LANE_DP1	CSI1_TR11_A
CSI1_3PHASE_PIN5	CSI1_DN1	CSI1_2LANE_DN1	CSI1_TR11_B
CSI1_3PHASE_PIN6	CSI1_DP2	CSI1_1LANE_DP0	CSI1_TR11_C
CSI1_3PHASE_PIN7	CSI1_DN2	CSI1_1LANE_DN0	CSI1_TR12_A
CSI1_3PHASE_PIN8	CSI1_DP3	CSI1_1LANE_CLKP	CSI1_TR12_B
CSI1_3PHASE_PIN9	CSI1_DN3	CSI1_2LANE_CLKP	CSI1_TR12_C
CSI2_3PHASE_PIN1	CSI2_CLKN	CSI2_2LANE_CLKN	CSI2_TR10_A
CSI2_3PHASE_PIN2	CSI2_DP0	CSI2_2LANE_DP0	CSI2_TR10_B
CSI2_3PHASE_PIN3	CSI2_DN0	CSI2_2LANE_DN0	CSI2_TR10_C
CSI2_3PHASE_PIN4	CSI2_DP1	CSI2_2LANE_DP1	CSI2_TR11_A
CSI2_3PHASE_PIN5	CSI2_DN1	CSI2_2LANE_DN1	CSI2_TR11_B
CSI2_3PHASE_PIN6	CSI2_DP2	CSI2_1LANE_DP0	CSI2_TR11_C
CSI2_3PHASE_PIN7	CSI2_DN2	CSI2_1LANE_DN0	CSI2_TR12_A
CSI2_3PHASE_PIN8	CSI2_DP3	CSI2_1LANE_CLKP	CSI2_TR12_B
CSI2_3PHASE_PIN9	CSI2_DN3	CSI2_1LANE_CLKN	CSI2_TR12_C

NOT TO BE USED, COPIED, REPRODUCED IN WHOLE OR IN PART, NOR ITS CONTENTS REVEALED IN ANY MANNER TO OTHERS WITHOUT THE EXPRESS WRITTEN PERMISSION OF QUALCOMM

### MSM8953 MIPI

QUALCOMM Technologies, Inc.  
San Diego, CA 92121-1714  
U.S.A.

Title: \_\_\_\_\_  
Date: \_\_\_\_\_  
Rev: \_\_\_\_\_

D

D

C

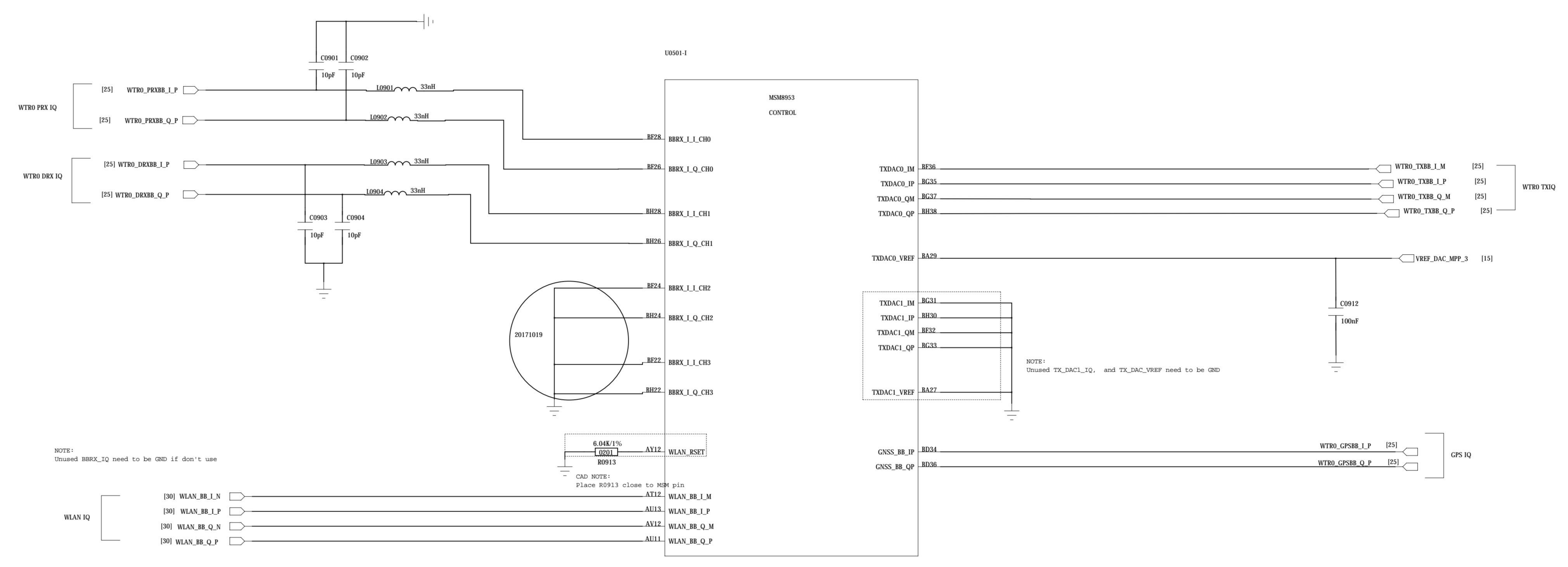
C

B

B

A

A

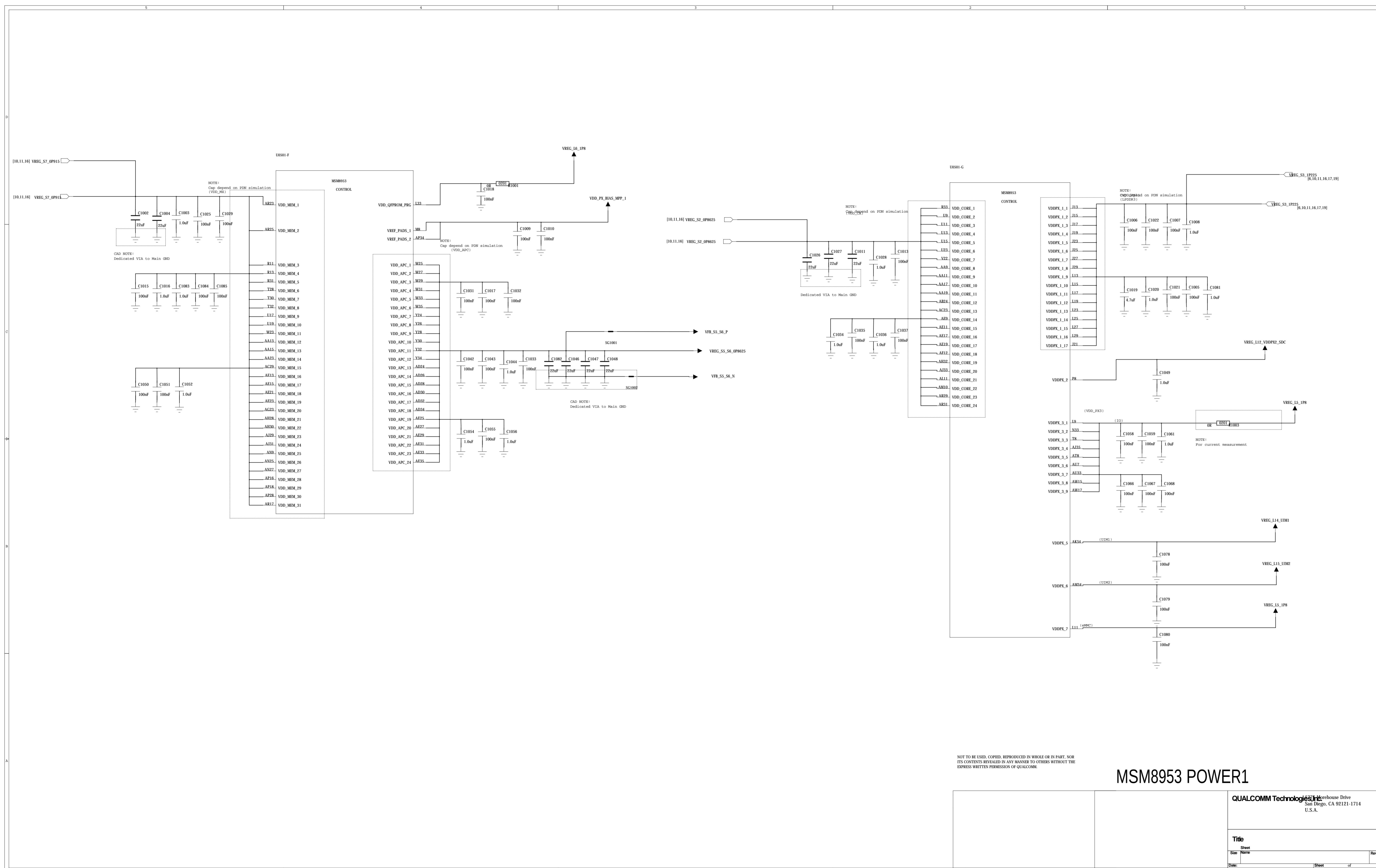


NOTE:  
 1. Wlan\_B7\_Q1 need to be 0Ω, if don't use

WLAN\_B7  
 101 WLAN\_B7\_Q1  
 102 WLAN\_B7\_Q2  
 103 WLAN\_B7\_Q3  
 104 WLAN\_B7\_Q4

<Company Name>			
21_LTE_B7			
CODE:	SIZE:	DRAWING NO:	REV:
<Code>	A0	<Drawing Number>	<Revision>

Drawn: LiuMengya  
 Drawn Date:



NOT TO BE USED, COPIED, REPRODUCED IN WHOLE OR IN PART, NOR ITS CONTENTS RELEASED IN ANY MANNER TO OTHERS WITHOUT THE EXPRESS WRITTEN PERMISSION OF QUALCOMM

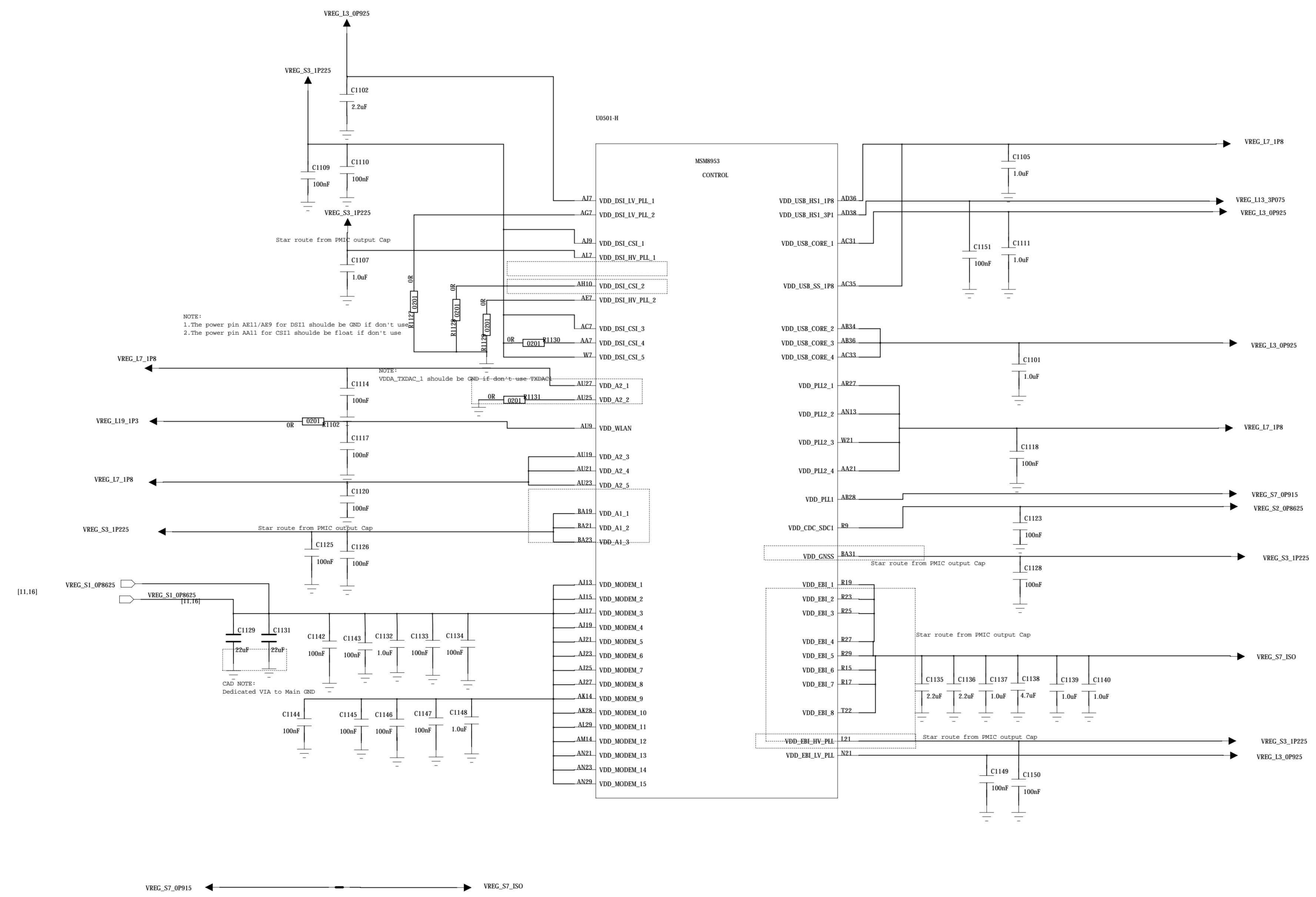
### MSM8953 POWER1

QUALCOMM Technologies, Inc.  
Qualcomm Drive  
San Diego, CA 92121-1714  
U.S.A.

Title	Sheet	Rev



CAD NOTE:  
About star route from PMIC output Cap:



## MSM8953 POWER2

NOT TO BE USED, COPIED, REPRODUCED IN WHOLE OR IN PART, NOR ITS CONTENTS REVEALED IN ANY MANNER TO OTHERS WITHOUT THE EXPRESS WRITTEN PERMISSION OF QUALCOMM

QUALCOMM Technologies, Inc.  
12560 Sunrise Valley Drive  
San Diego, CA 92121-1714  
U.S.A.

Title		Date
Sheet		
Total		
Drawn		
Checked		
Rev		



NOT TO BE USED, COPIED, REPRODUCED IN WHOLE OR IN PART, NOR ITS CONTENTS REVEALED IN ANY MANNER TO OTHERS WITHOUT THE EXPRESS WRITTEN PERMISSION OF QUALCOMM

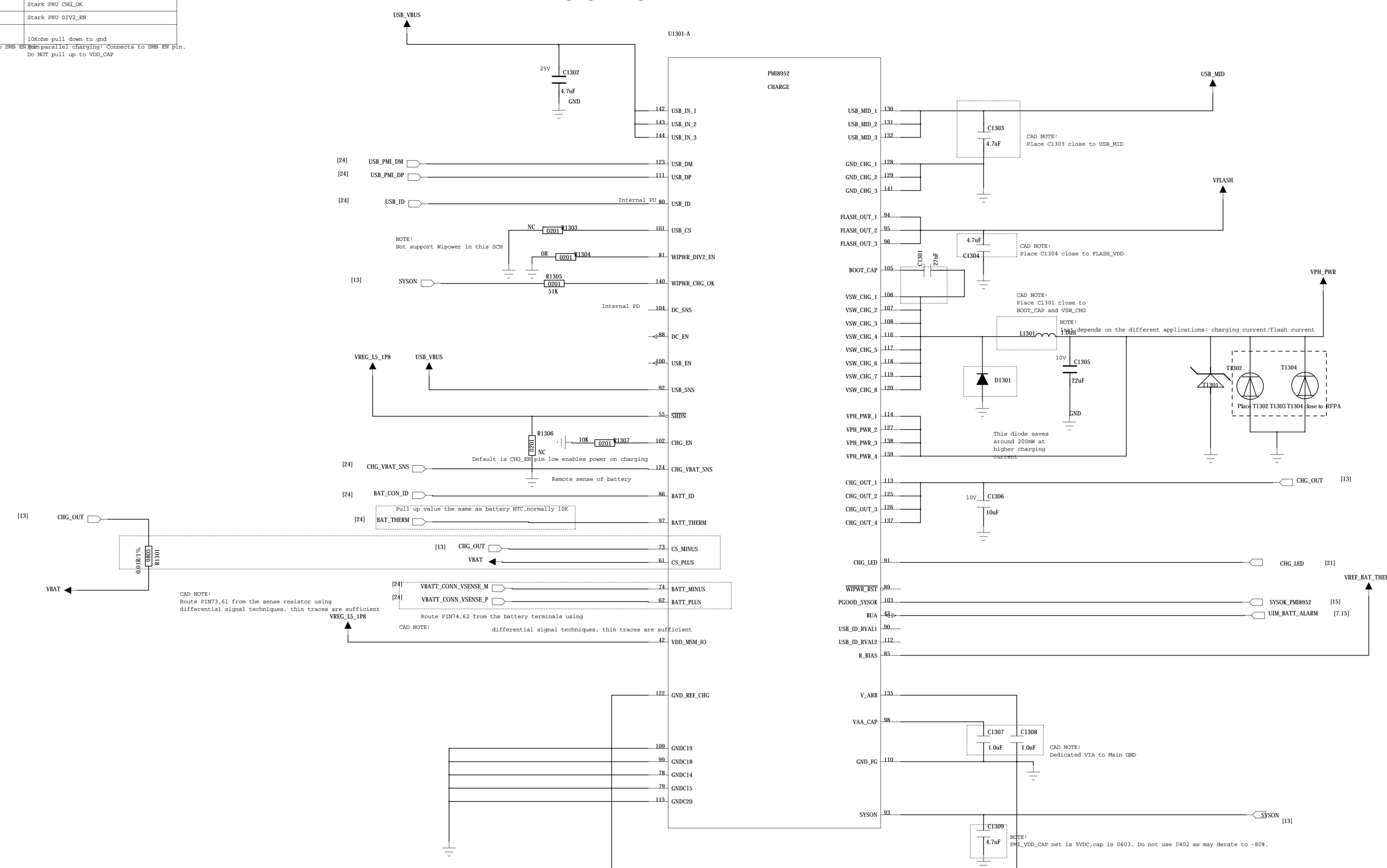
### MSM8953 GND

QUALCOMM Technologies, Inc.  
 5765 La Tijera Avenue  
 San Diego, CA 92121-1714  
 U.S.A.

**Title**  
 Sheet  
 Date: \_\_\_\_\_ of \_\_\_\_\_

PMI_PEN	connection on device without Wipower	connection on device with Wipower
CHG_OK	Pull up to VDD_CAP with 10kOhm	Place PMU_CHG_OK
DIS1_OK	Pull down to GND with 10kOhm	Place PMU_DIS1_OK
DIS2_OK	No Connect	10kOhm pull down to gnd
		for parallel charging connector to 500mA (PMU_CHG2_OK) connector to 500mA pin, do not pull up to VDD_CAP

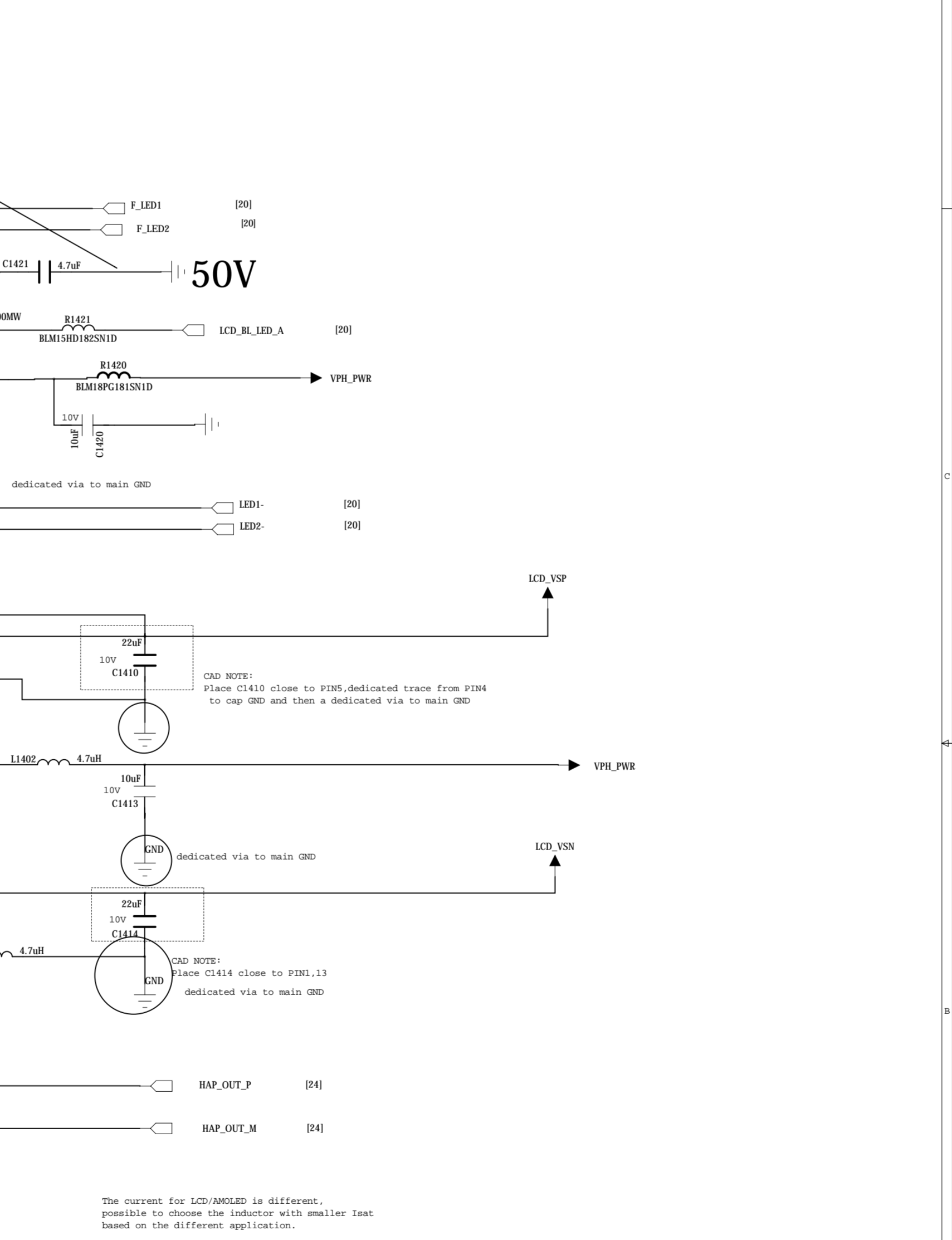
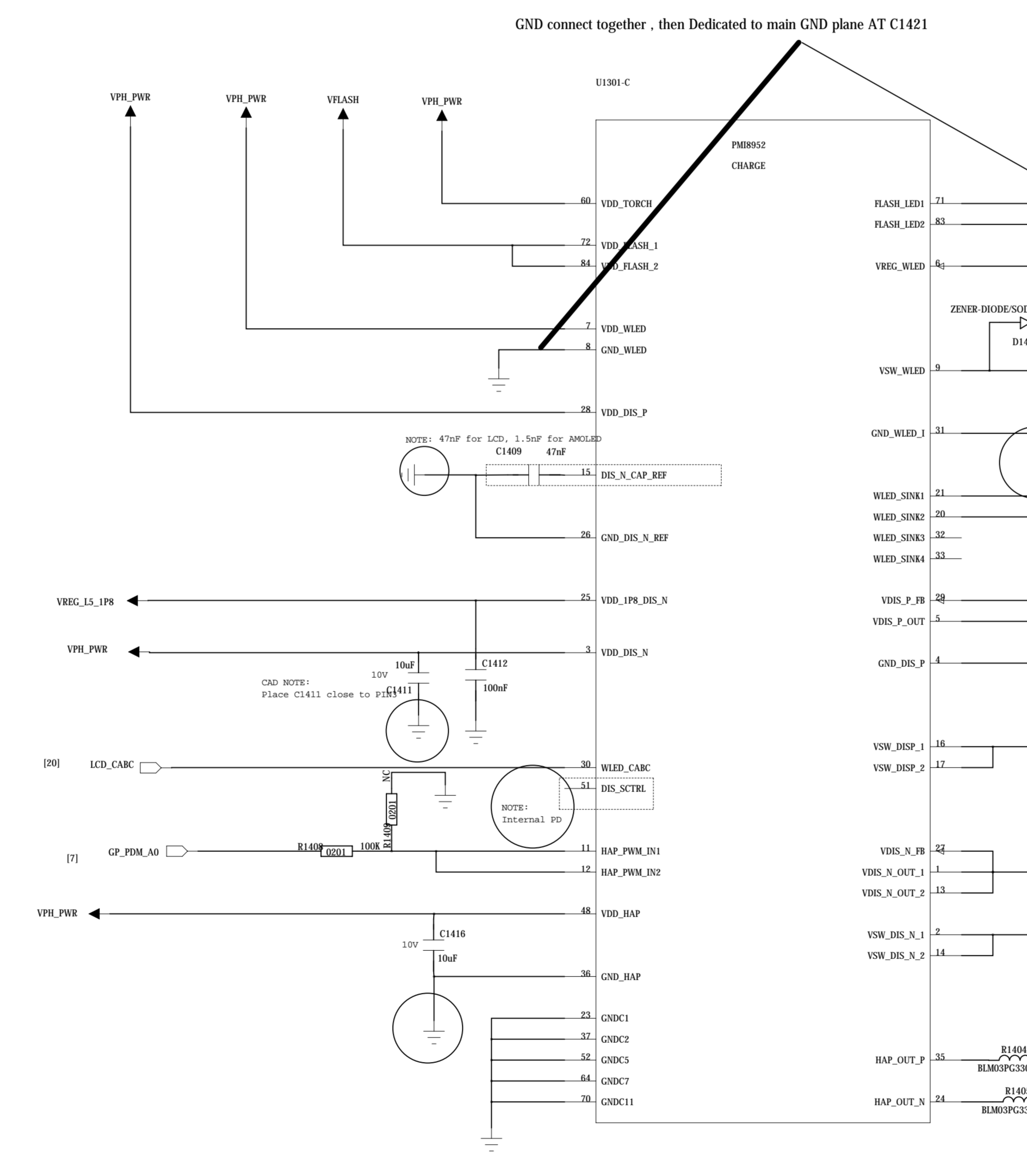
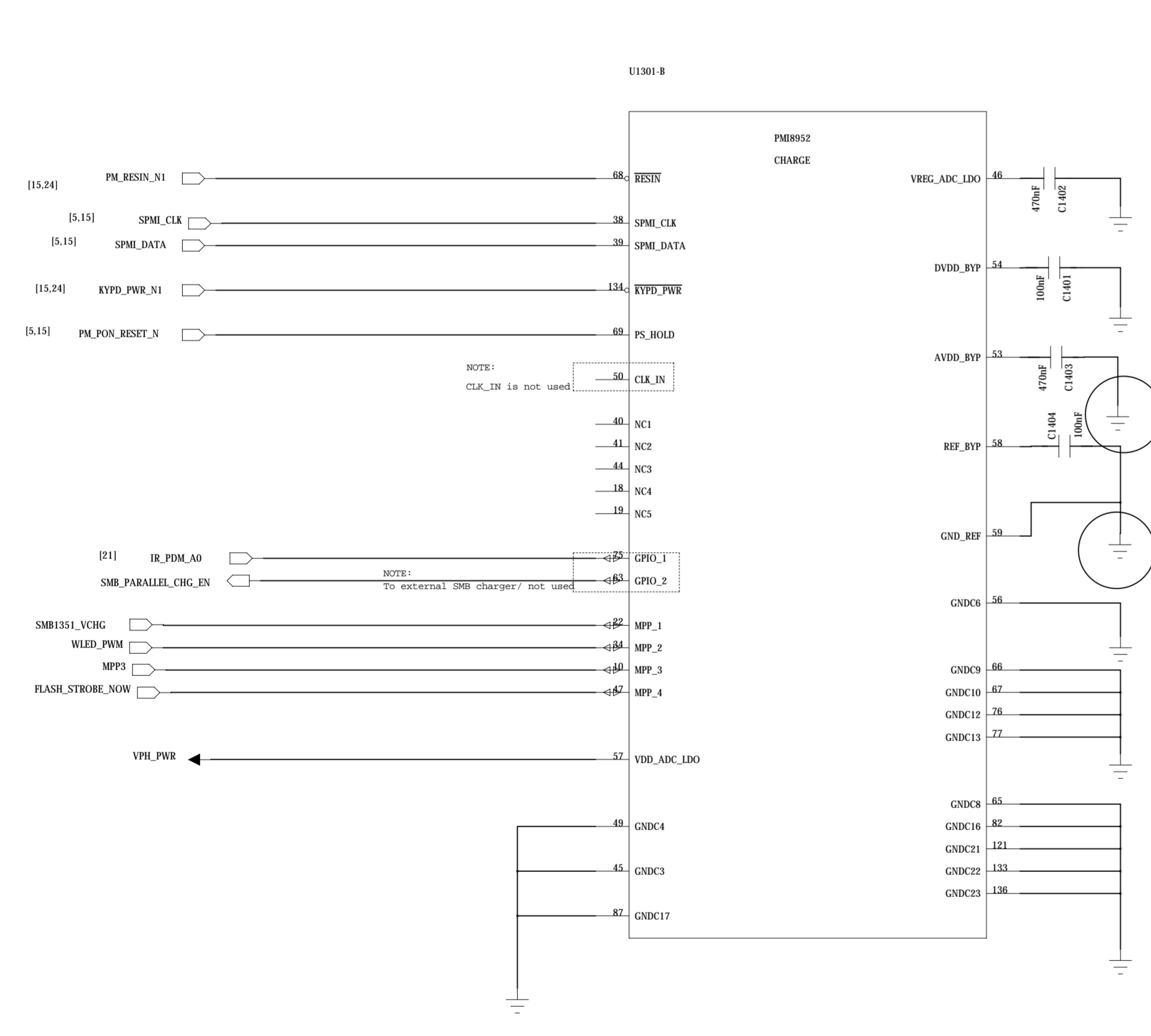
Use C1302 = 4.7uF for Single Charging Config  
 Use C1302 = 2.2uF for Parallel Charging Config



NOT TO BE USED, COPIED, REPRODUCED IN WHOLE OR IN PART, FOR ANY CONTENTS REVEALED IN ANY MANNER TO OTHERS WITHOUT THE EXPRESS WRITTEN PERMISSION OF QUALCOMM.

### PMI8952 Charger

		Qualcomm Technologies, Inc. 12060 N. Tustin Ave. San Diego, CA 92121-1714 U.S.A.
		Title: _____ Date: _____ Rev: _____



GND connect together, then Dedicated to main GND plane AT C1421

The current for LCD/ANGLD is different, possible to choose the inductor with maxilar fast based on the different application.

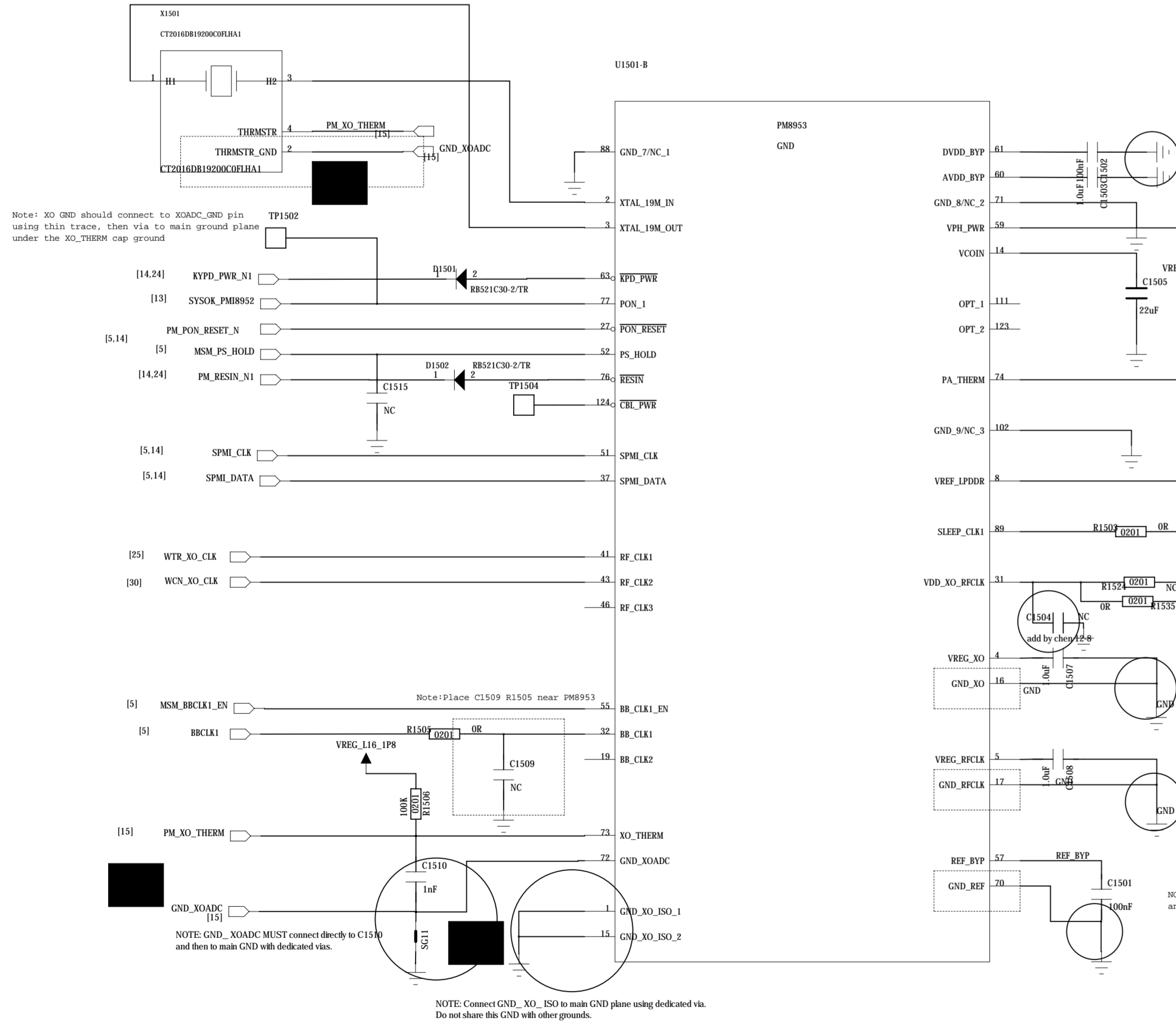
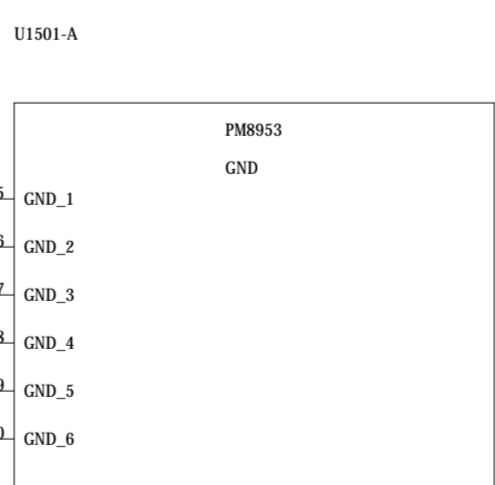
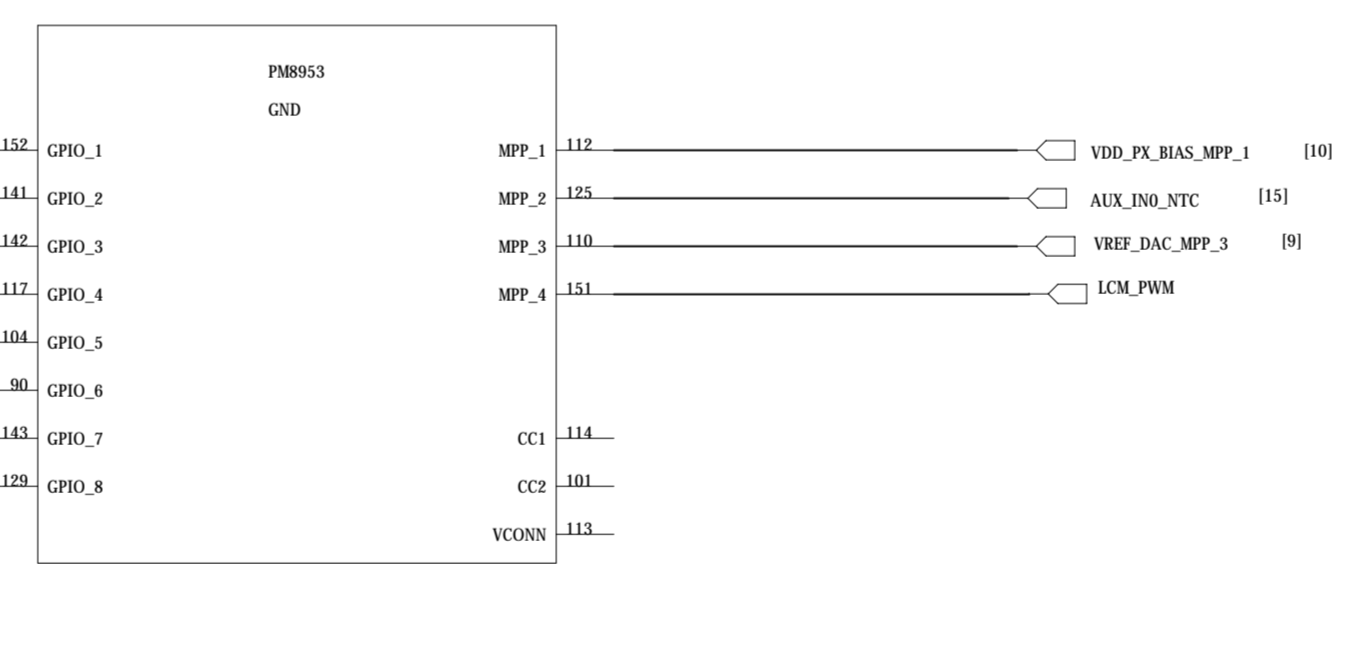
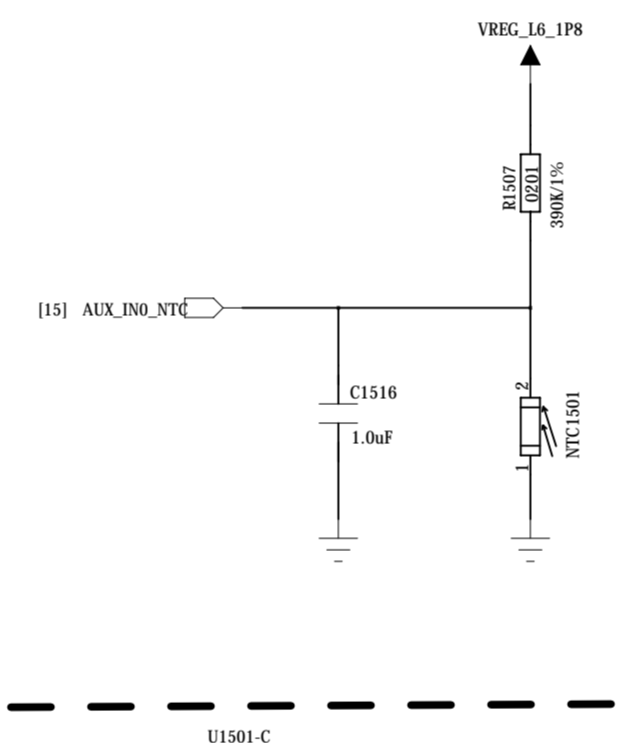
NOT TO BE USED, COPIED, REPRODUCED IN WHOLE OR IN PART, NOR ITS CONTENTS REVEALED IN ANY MANNER TO OTHERS WITHOUT THE EXPRESS WRITTEN PERMISSION OF QUALCOMM

PMI8952 Control/Interface

QUALCOMM Technologies, Inc.  
San Diego, CA 92121-1714  
U.S.A.

Title	
Sheet	
Rev	
Date	

Thermister / To sense board level temperature



Note: 30 0Ω should connect to 30VDC\_GND pin under the 30\_20ΩSM cap around

NOTE Connect GND\_30\_1Ω to main GND plane using dedicated via. Do not share this GND with other grounds.

0Ω\_30 and 0Ω\_30F MUST connect directly to GND and GND30 respectively and then connect to main GND with dedicated vias.

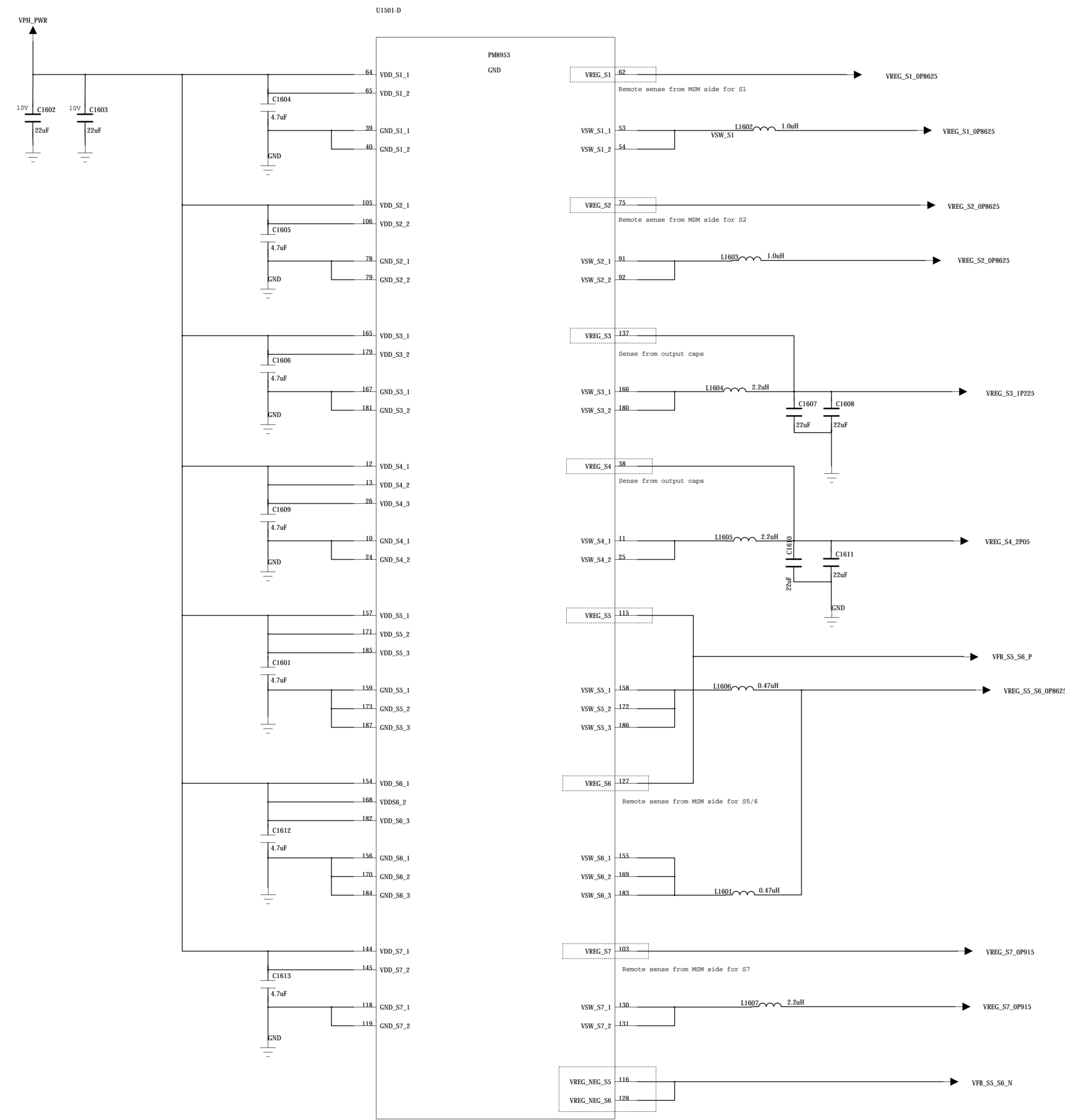
NOTE: 30P 0Ω MUST connect directly to GND30 and then to main GND with dedicated vias.

NOT TO BE USED, COPIED, REPRODUCED IN WHOLE OR IN PART, NOR ITS CONTENTS REVEALED IN ANY MANNER TO OTHERS WITHOUT THE EXPRESS WRITTEN PERMISSION OF QUALCOMM

PM8953 Control/Interface

QUALCOMM Technologies, Inc.  
San Diego, CA 92121-1714  
U.S.A.

Title	
Sheet	
Star / Rev	
Date	



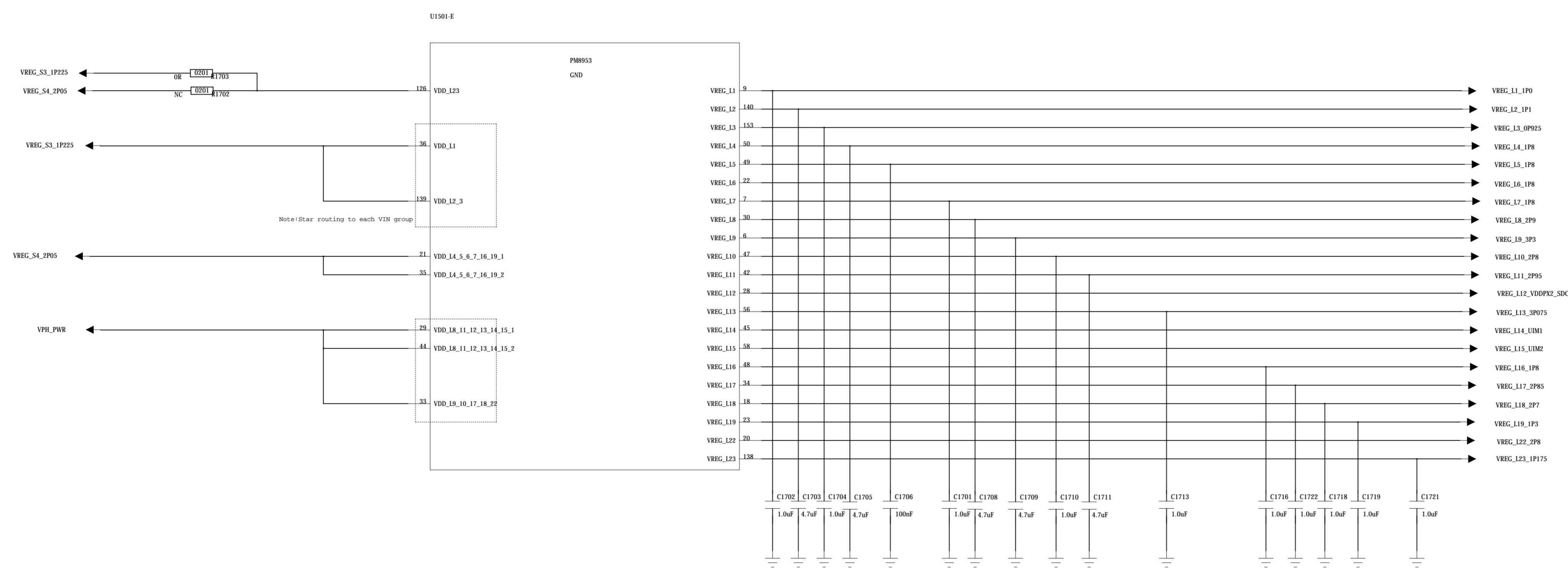
NOT TO BE USED, COPIED, REPRODUCED IN WHOLE OR IN PART, NOR ITS CONTENTS RELEASED IN ANY MANNER TO OTHERS WITHOUT THE EXPRESS WRITTEN PERMISSION OF QUALCOMM

### PM8953 SMPS

QUALCOMM Technologies, Inc.  
 Qualcomm Drive  
 San Diego, CA 92121-1714  
 U.S.A.

Title	
Sheet	1 of 1
Date	
Drawn	
Checked	





NOT TO BE USED, COPIED, REPRODUCED IN WHOLE OR IN PART, NOR ITS CONTENTS RELEASED IN ANY MANNER TO OTHERS WITHOUT THE EXPRESS WRITTEN PERMISSION OF QUALCOMM

### PM8953 LDO

QUALCOMM Technologies, Inc.  
12060 Jayhawk Drive  
San Diego, CA 92121-1714  
U.S.A.

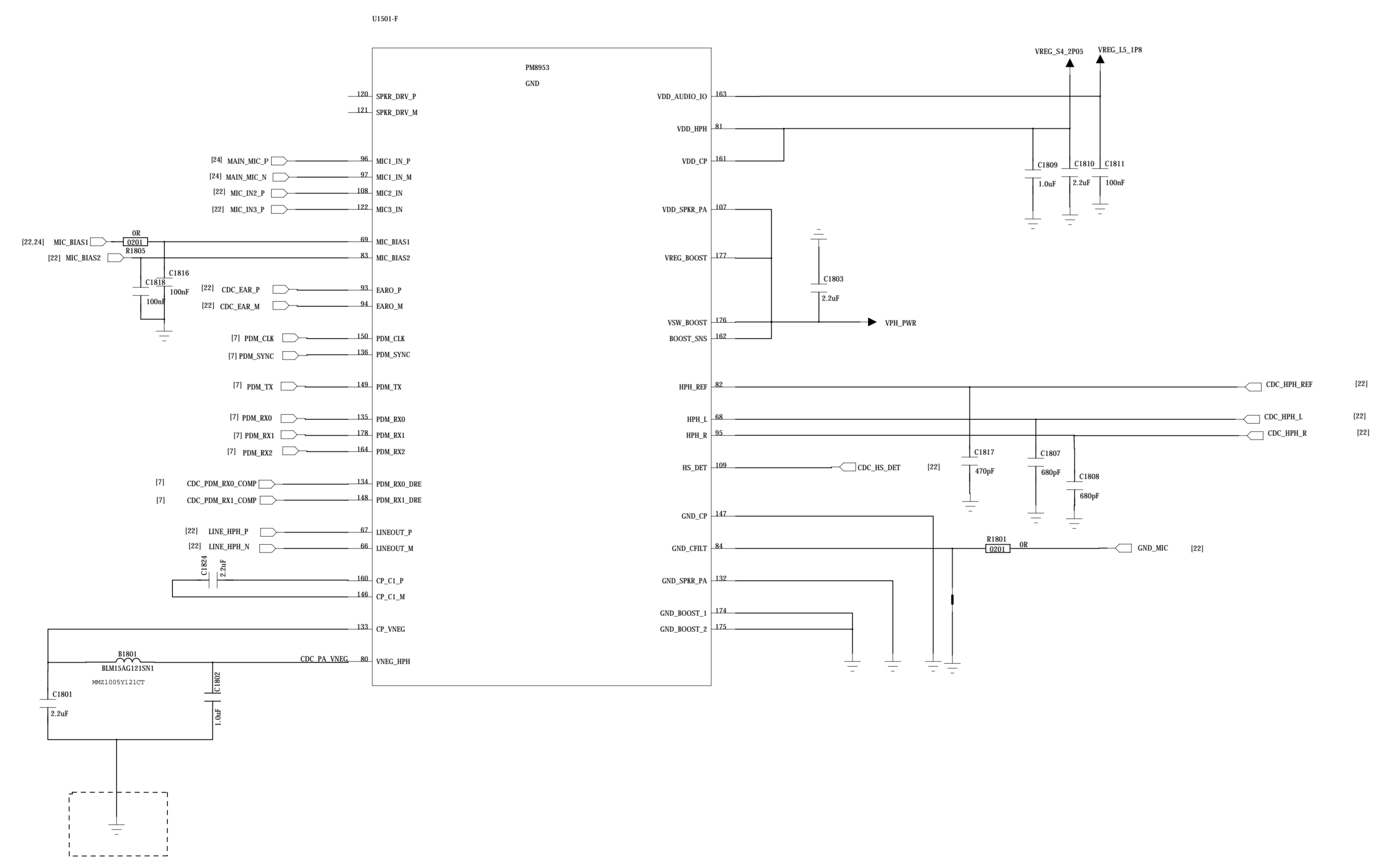
Title: \_\_\_\_\_  
Sheet: \_\_\_\_\_ of \_\_\_\_\_  
Date: \_\_\_\_\_

Table 3-6 PM8937/PM8940 regulators and their intended uses

Function	Circuit type	Default V (V) <sup>1</sup>	Specified range (V) <sup>2</sup> (MSM8937)	Programmable range (V)	Rated current (mA)	Default on	Expected use
S1	ULT-SMPS	1.225	0.900–1.350	0.375–1.5625	2000 <sup>3</sup>	N	MSM modem
S2	ULT-SMPS	1.225	0.550–1.350	0.375–1.5625	3000	Y	MSM core and graphics
S3	HF-SMPS	1.288	1.200–1.4125	0.375–1.5625	2700	Y	Low-voltage LDOs (1, 2)
S4	ULT-SMPS	2.050	1.800–2.050	1.550–3.126	2500	Y	High-voltage LDOs (4)
S5	FT-SMPS	1.225	1.050–1.350	0.350–1.355	3000	Y	MSM applications processor
S6	FT-SMPS	1.225	1.050–1.350	0.350–1.355	3000	N	MSM applications processor
L1	NMOS LDO	1.000	1.000	0.375–1.5375	1200	N	RFICs
L2	NMOS LDO	1.200	1.200	0.375–1.5375	1200	Y	LPDDR2/LPDDR3, M
L3	NMOS LDO	1.225	0.750–1.350	0.375–1.5375	1200	Y	VDDMX
L4	PMOS LDO	1.800	1.800	1.750–3.3375	450	N	RFICs and GPS eLNA
L5 <sup>4</sup>	PMOS LDO	1.800	1.800	1.750–3.3375	500	Y	Most digital I/Os, MSM and eMMC
L6	PMOS LDO	1.800	1.800	1.750–3.3375	300	N	MSM DSI PLL and OT display, and sensors
L7	PMOS LDO	1.800	1.800	1.750–3.3375	150	Y	MSM analog and PLL clock driver
L8	PMOS LDO	2.900	2.900	1.750–3.3375	600	Y	eMMC
L9	PMOS LDO		$V_{out} = 3.3\text{ V for } V_{BAT} > 3.575\text{ V};$ $V_{out} = 3\text{ V for } V_{BAT} < 3.575\text{ V}$	1.750–3.3375	600	N	WCN
L10	PMOS LDO	2.8	2.800	1.750–3.3375	150	N	Sensors
L11 <sup>5</sup>	PMOS LDO	2.950	2.950	1.750–3.3375	800	Y	Micro SD
L12 <sup>4</sup>	PMOS LDO	2.950	1.800/2.950	1.750–3.3375	150	Y	MSM pad group 2 and
L13	PMOS LDO	3.075	3.075	1.750–3.3375	50	Y	MSM USB and audio

Function	Circuit type	Default V (V) <sup>1</sup>	Specified range (V) <sup>2</sup> (MSM8937)	Programmable range (V)	Rated current (mA)	Default on	Expected use
L14 <sup>5</sup>	PMOS LDO	1.800	1.800/2.925/3.050	1.750–3.3375	50	N	MSM pad
L15 <sup>5</sup>	PMOS LDO	1.800	1.800/2.925/3.050	1.750–3.3375	50	N	MSM pad
L16	PMOS LDO	1.800	1.800	1.750–3.3375	5	N	PMIC HK
L17	PMOS LDO	2.850	2.850	1.750–3.3375	600	N	Camera,
L18	PMOS LDO	2.700	2.700	1.750–3.3375	150	N	QTI RF fr
L19	NMOS LDO	1.350	1.350	0.375–1.5375	1200	N	MSM ana
L20	Low-noise LDO	1.74	1.74	1.74–3.3375	5	Y	PMIC XO
L21	Low-noise LDO	1.74	1.74	1.74–3.3375	5	Y	PMIC RF
L22	PMOS LDO	2.800	2.800	1.750–3.3375	300	N	Camera -
L23	NMOS LDO	1.3	1.2	0.375–1.5375	300	N	Camera -



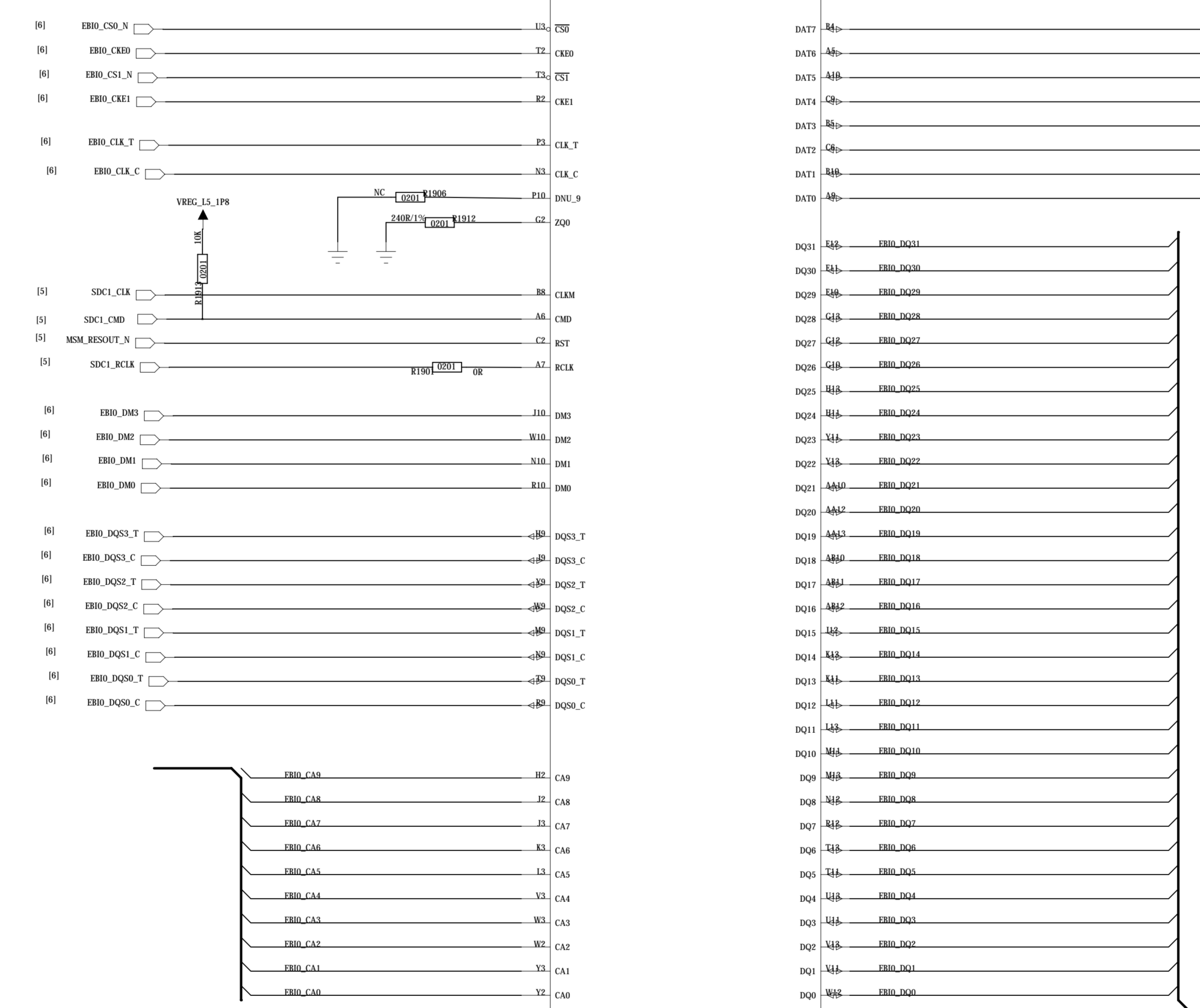
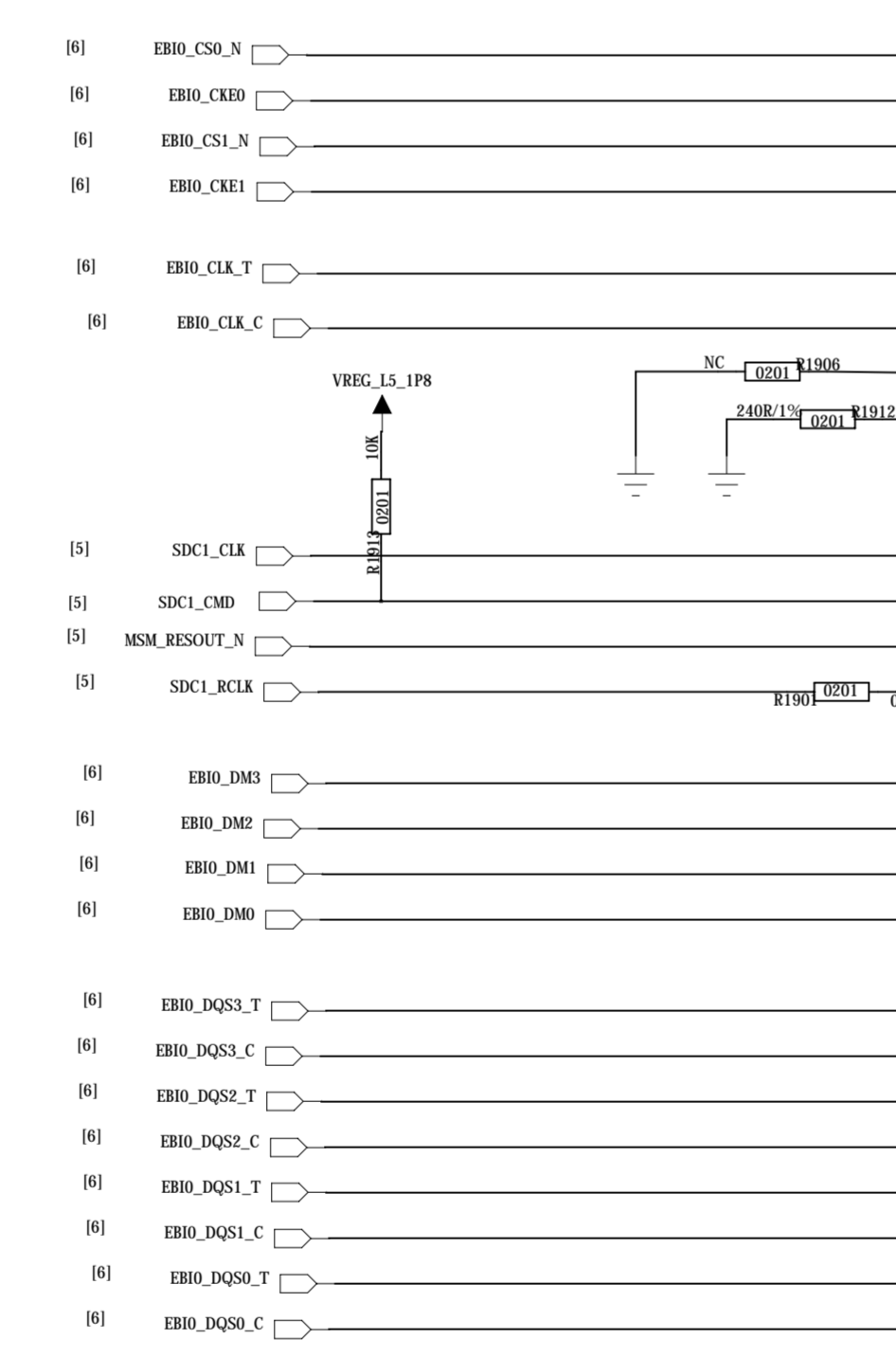
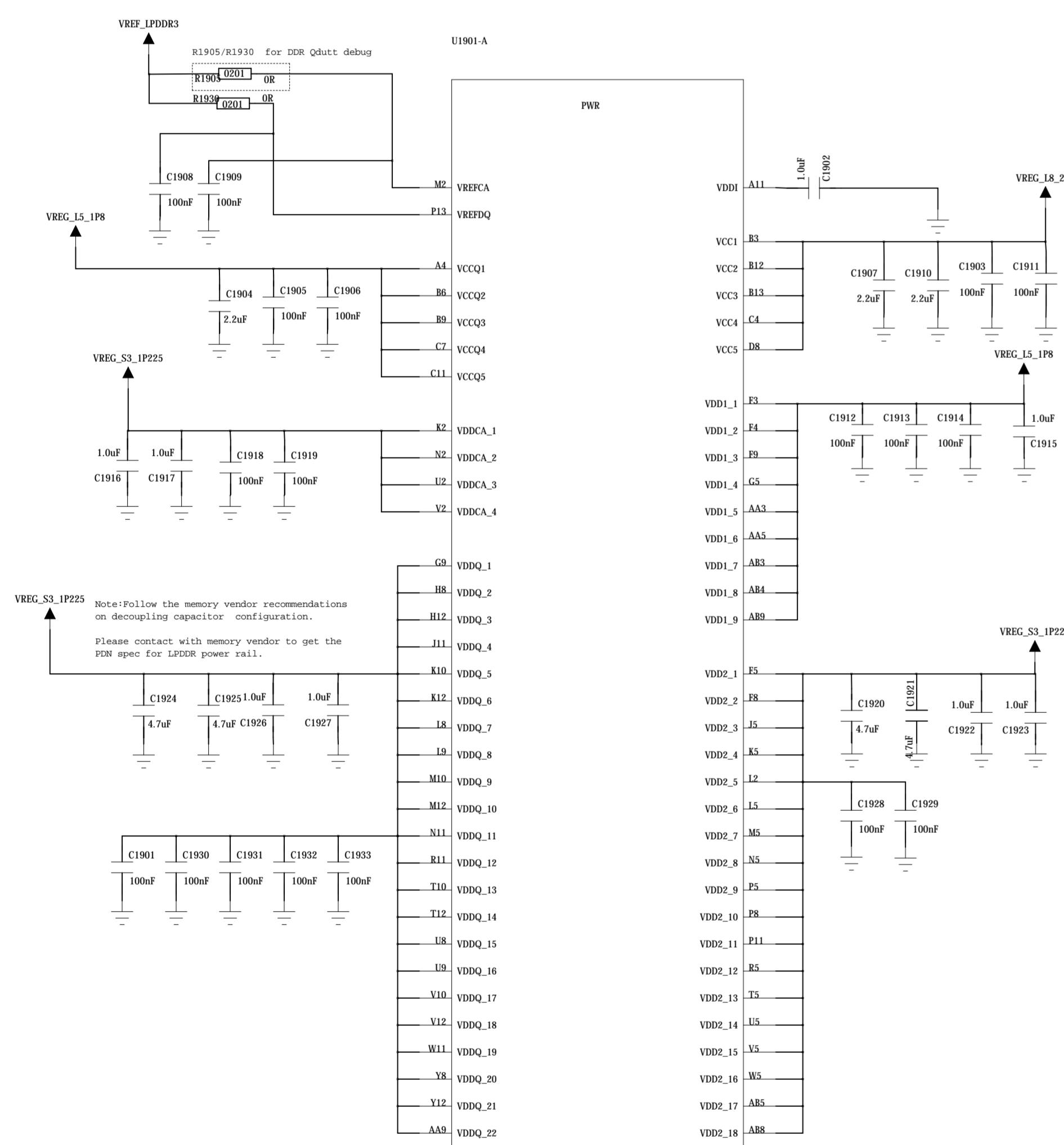


NOT TO BE USED, COPIED, REPRODUCED IN WHOLE OR IN PART, NOR ITS CONTENTS RELEASED IN ANY MANNER TO OTHERS WITHOUT THE EXPRESS WRITTEN PERMISSION OF QUALCOMM

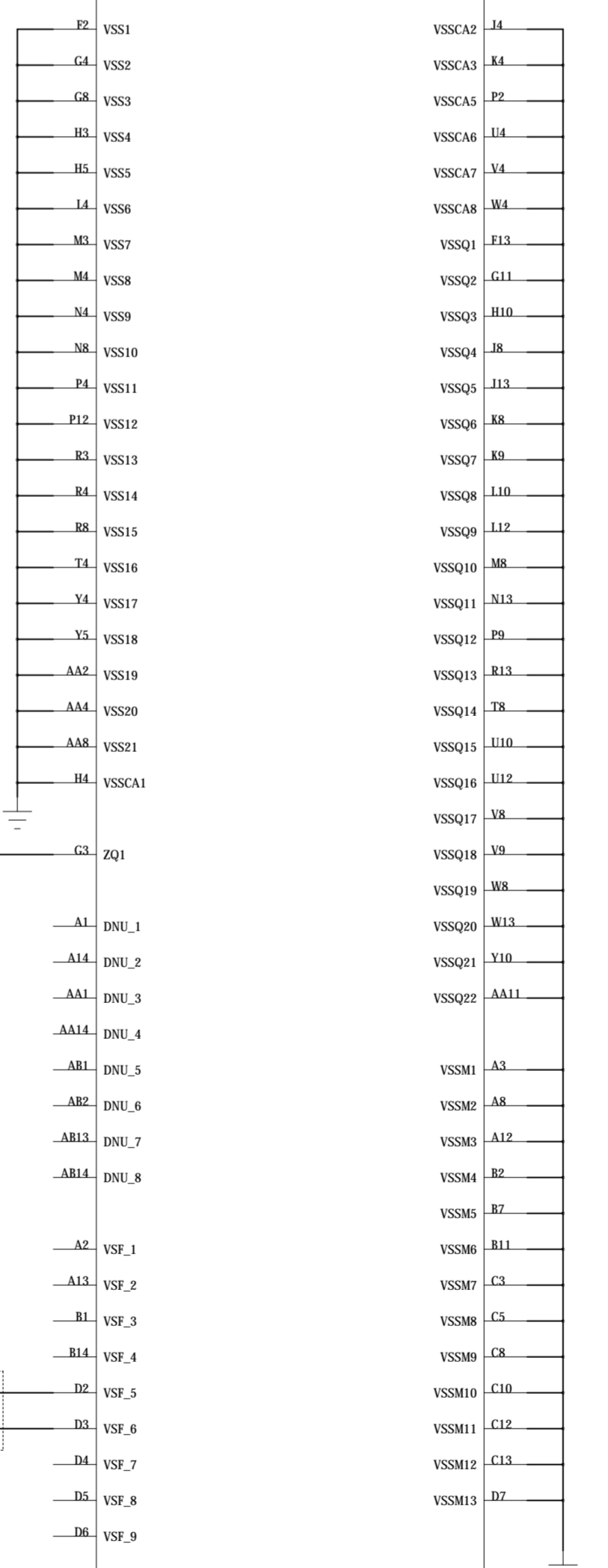
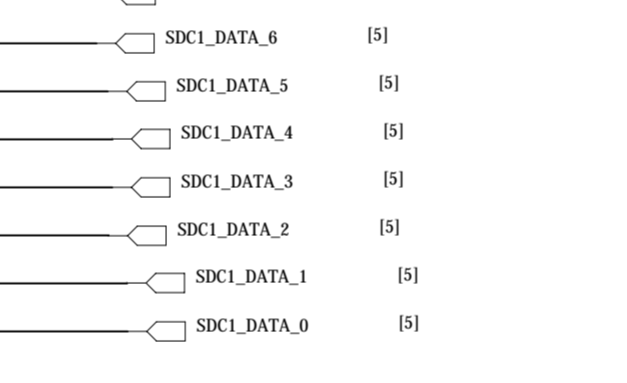
PM8953 CODEC/Audio PA

QUALCOMM Technologies, Inc. 5765 La Tijera Blvd San Diego, CA 92121-1714 U.S.A.	
<b>Title</b> Sheet Date Drawn Checked	Rev     





Note: When SDC1\_DATA\_0-7 pins' internal pull-up are enabled by SW and the resistance range is 10k to 100k Ohm. It is recommended to contact your vendor to determine if external pull-up is required. SW



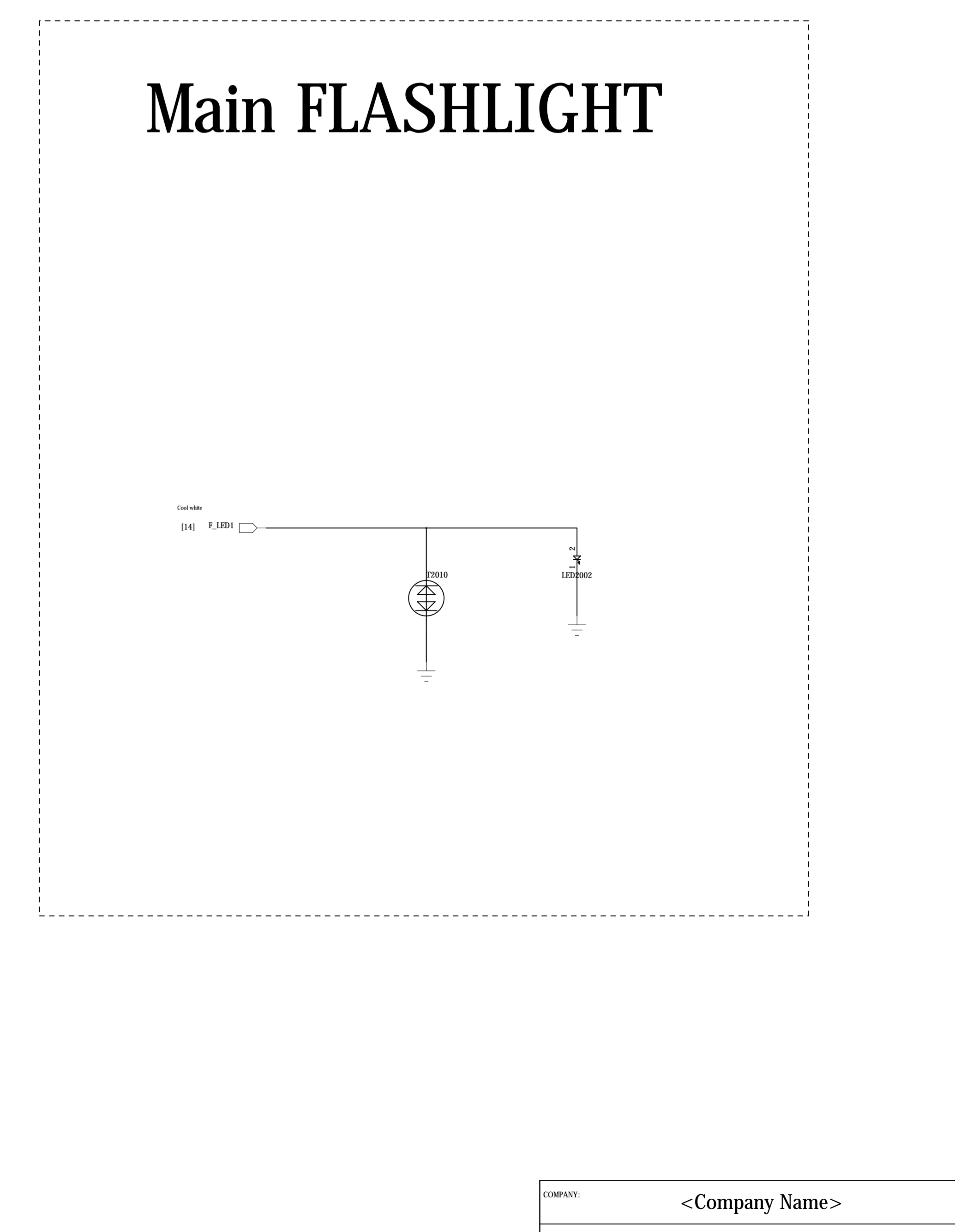
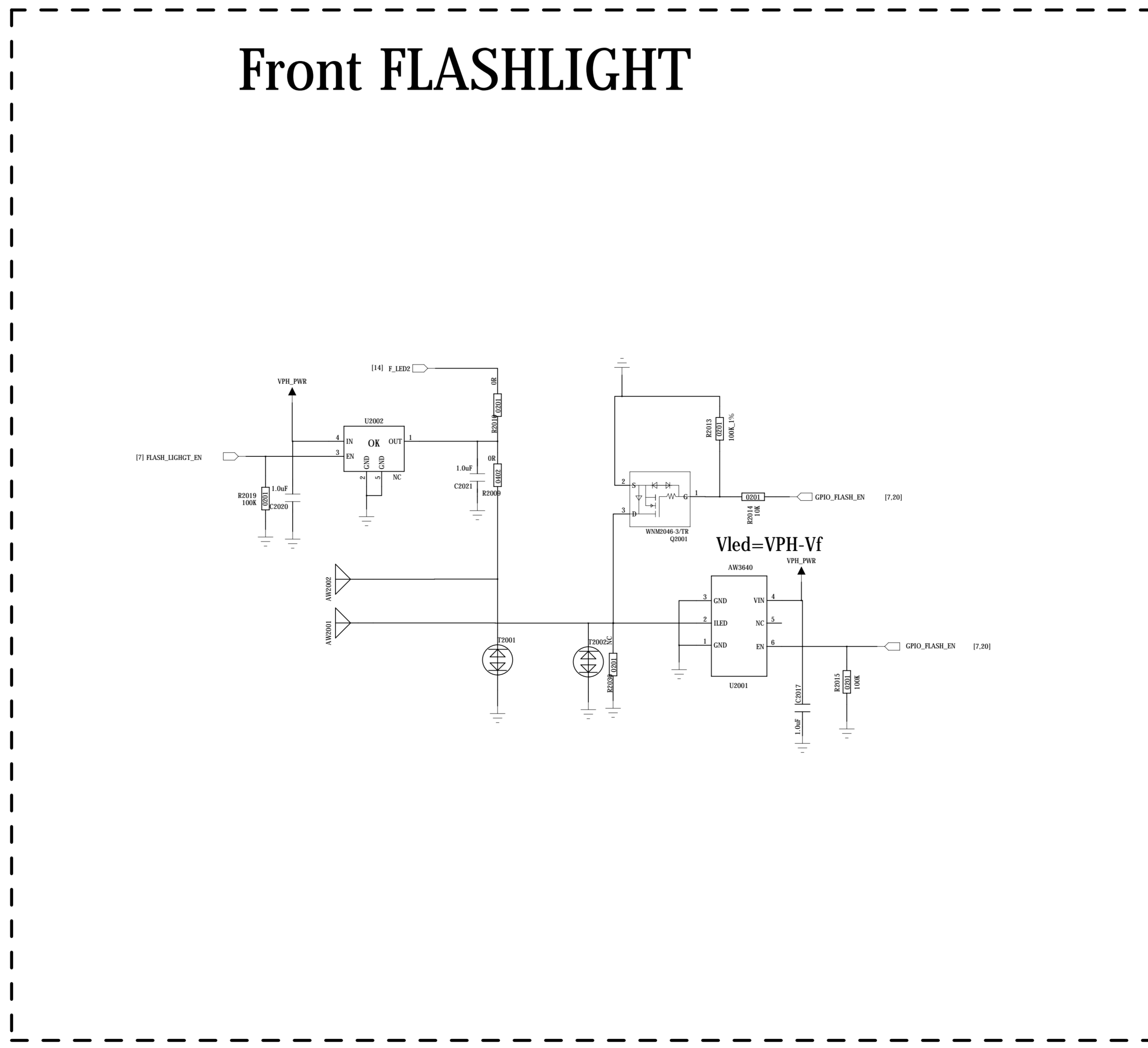
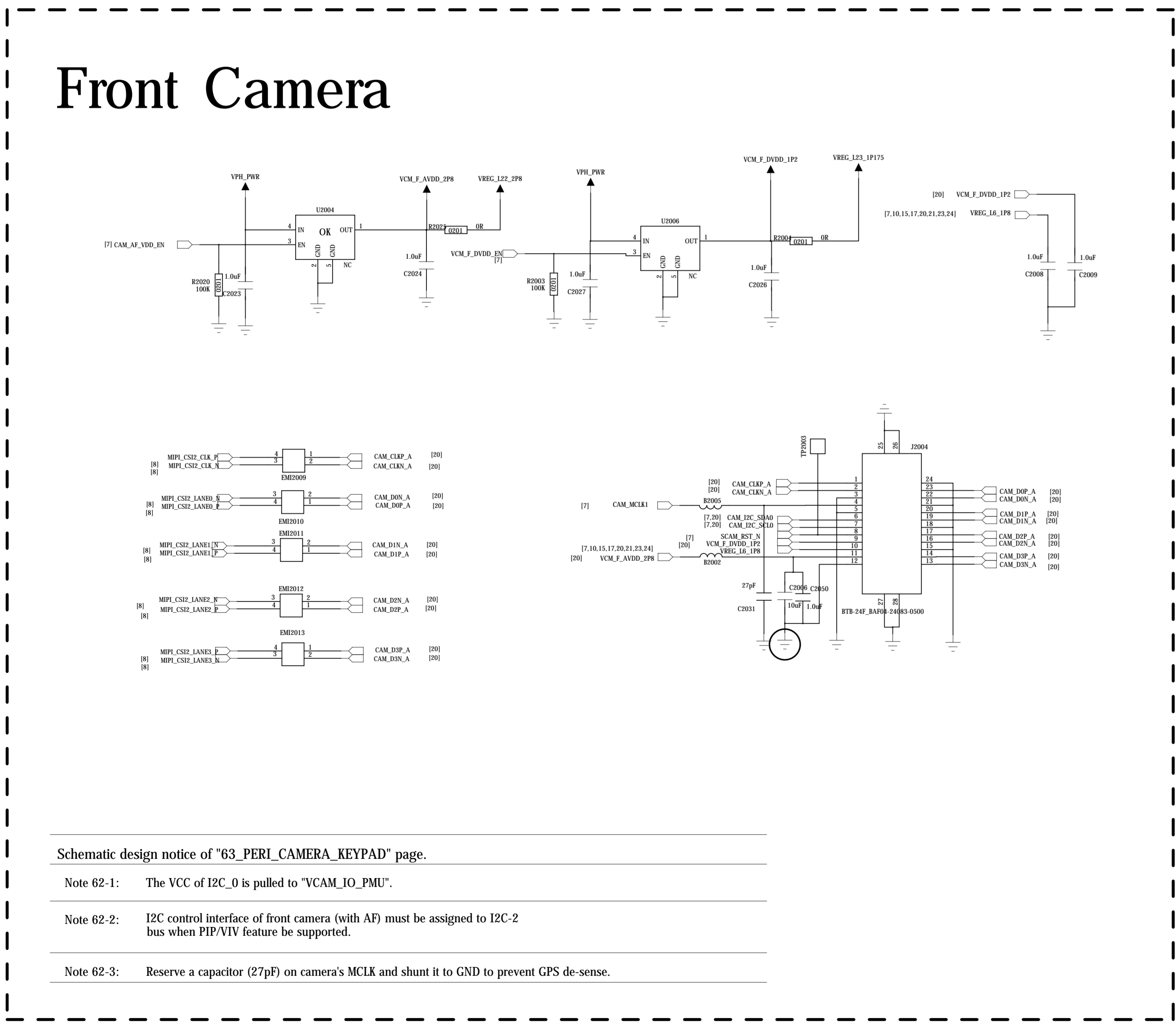
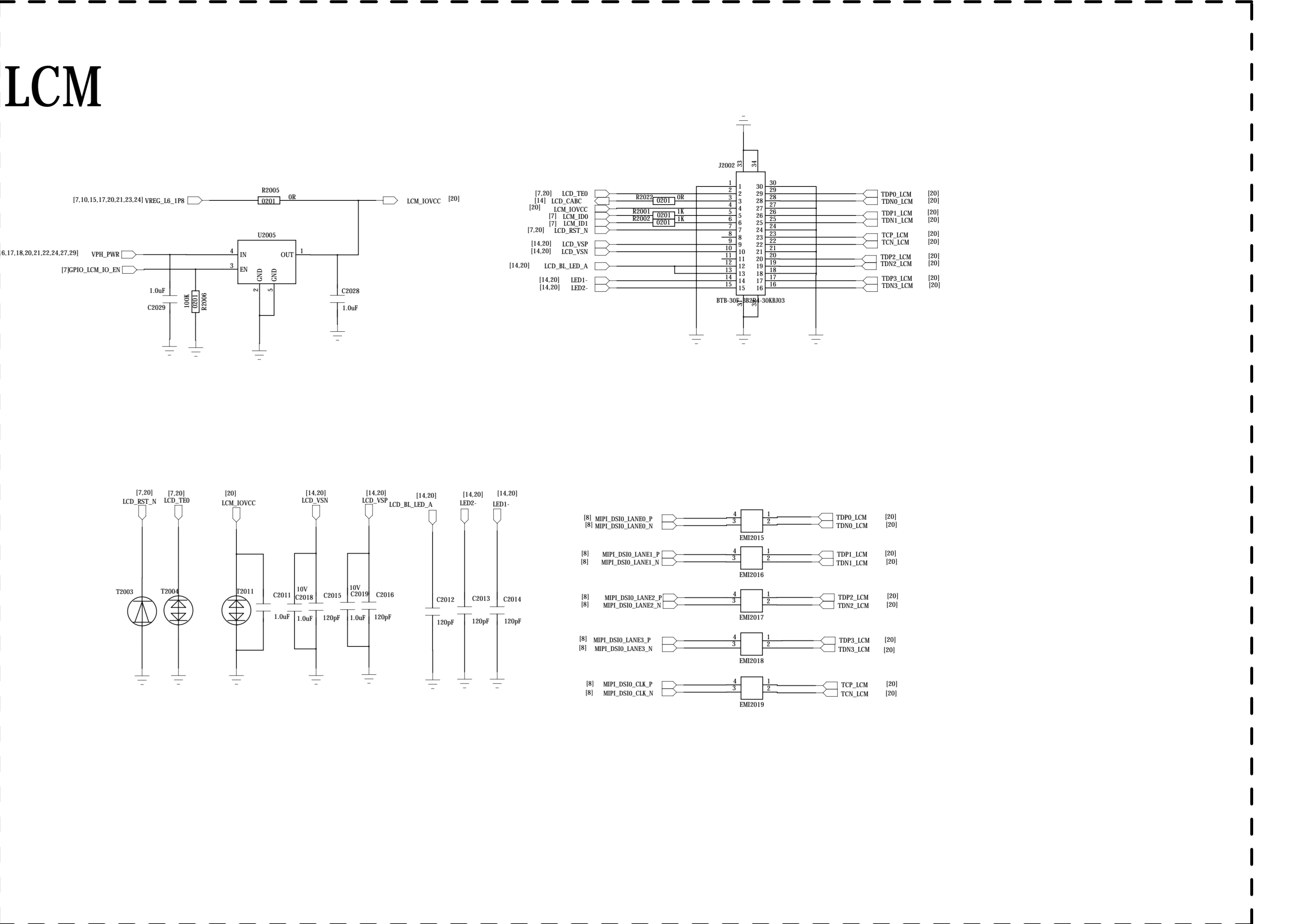
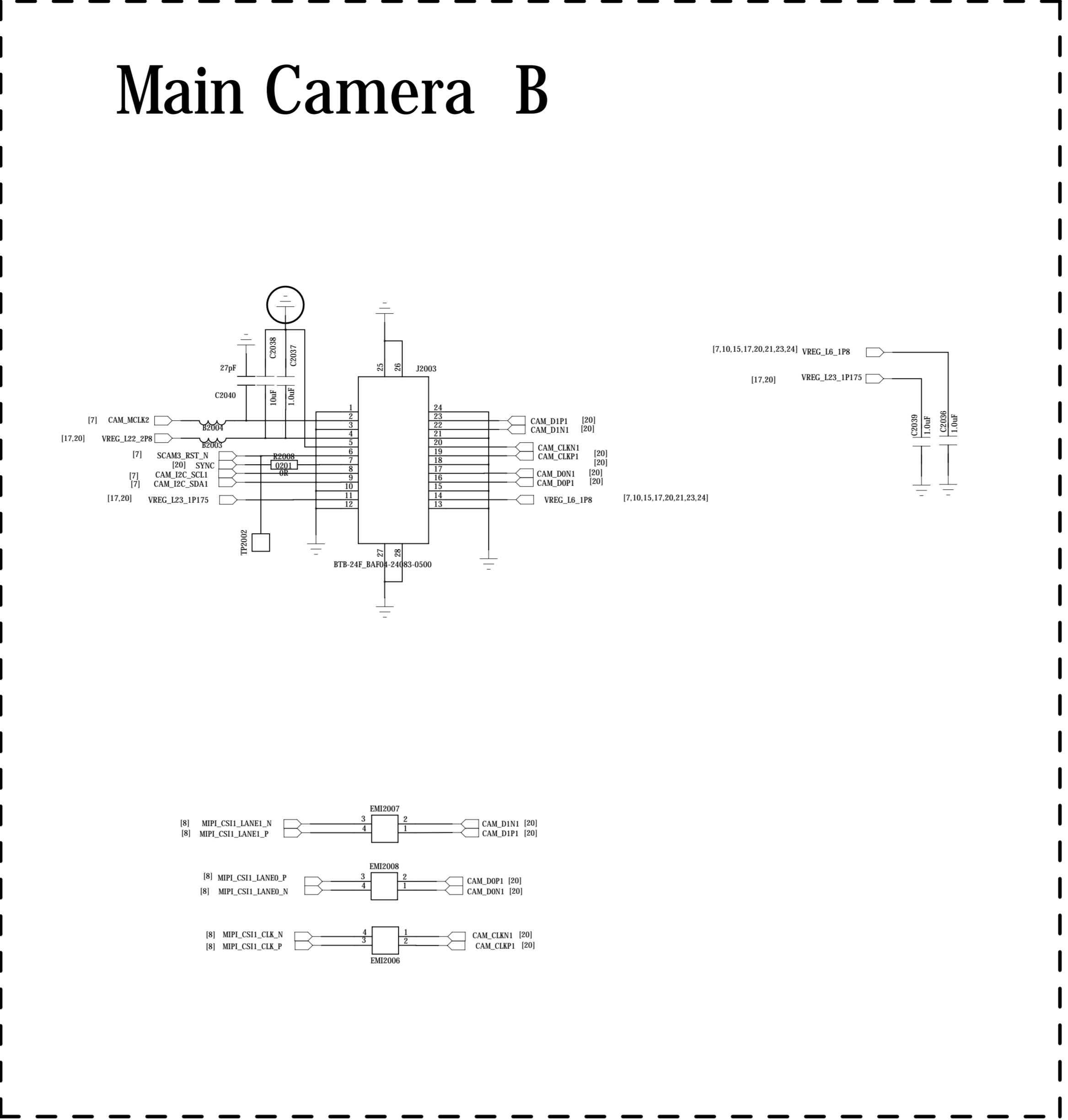
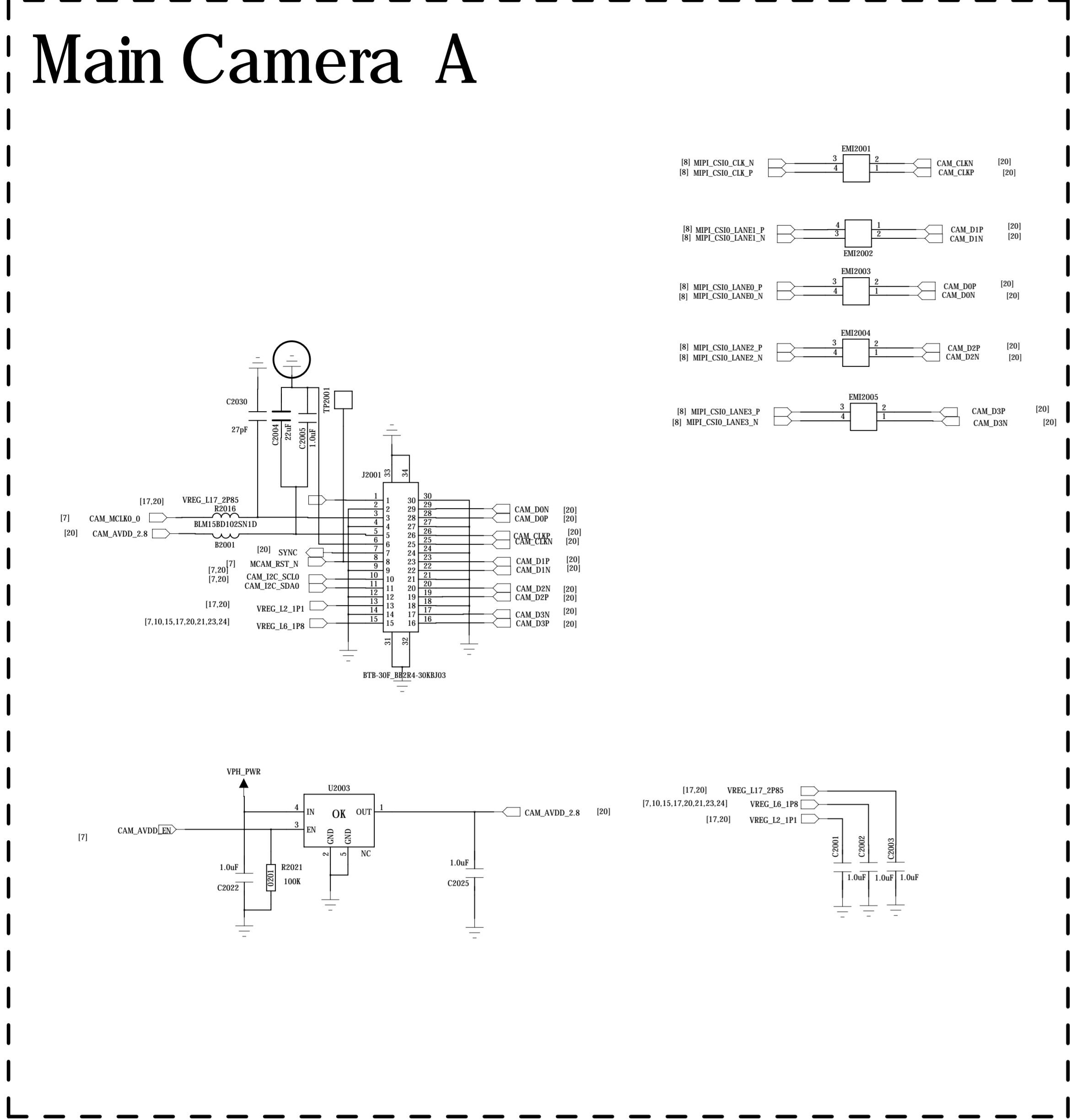
NOT TO BE USED, COPIED, REPRODUCED IN WHOLE OR IN PART, NOR ITS CONTENTS RELEASED IN ANY MANNER TO OTHERS WITHOUT THE EXPRESS WRITTEN PERMISSION OF QUALCOMM

### MEMORY(LPDDR3+EMMC V5.1)

QUALCOMM Technologies, Inc.  
San Diego, CA 92121-1714  
U.S.A.

Title	Sheet	Rev
Size	Page	
Date	Drawn	of

REVISION RECORD			
REV	ECO NO.	APPROVED	DATE



Schematic design notice of "63\_PERI\_CAMERA\_KEYPAD" page.

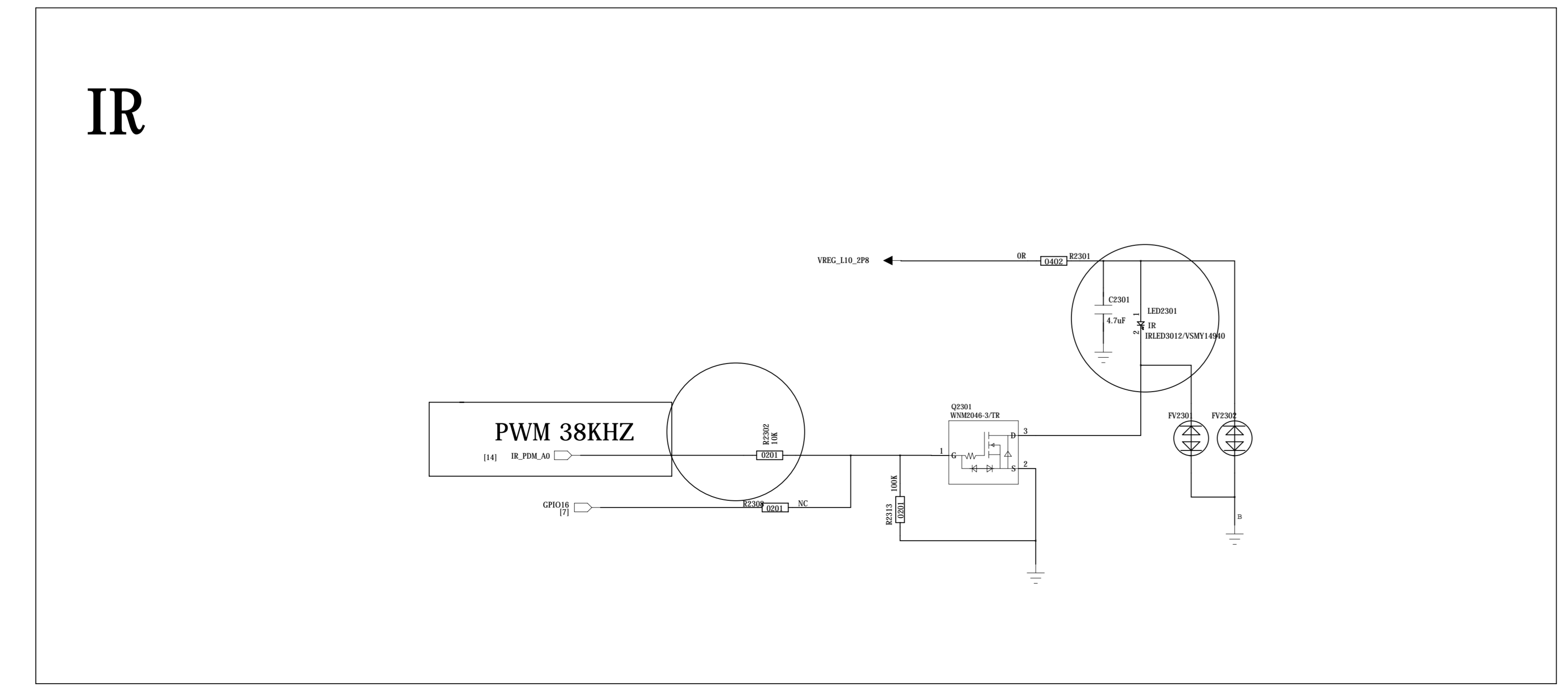
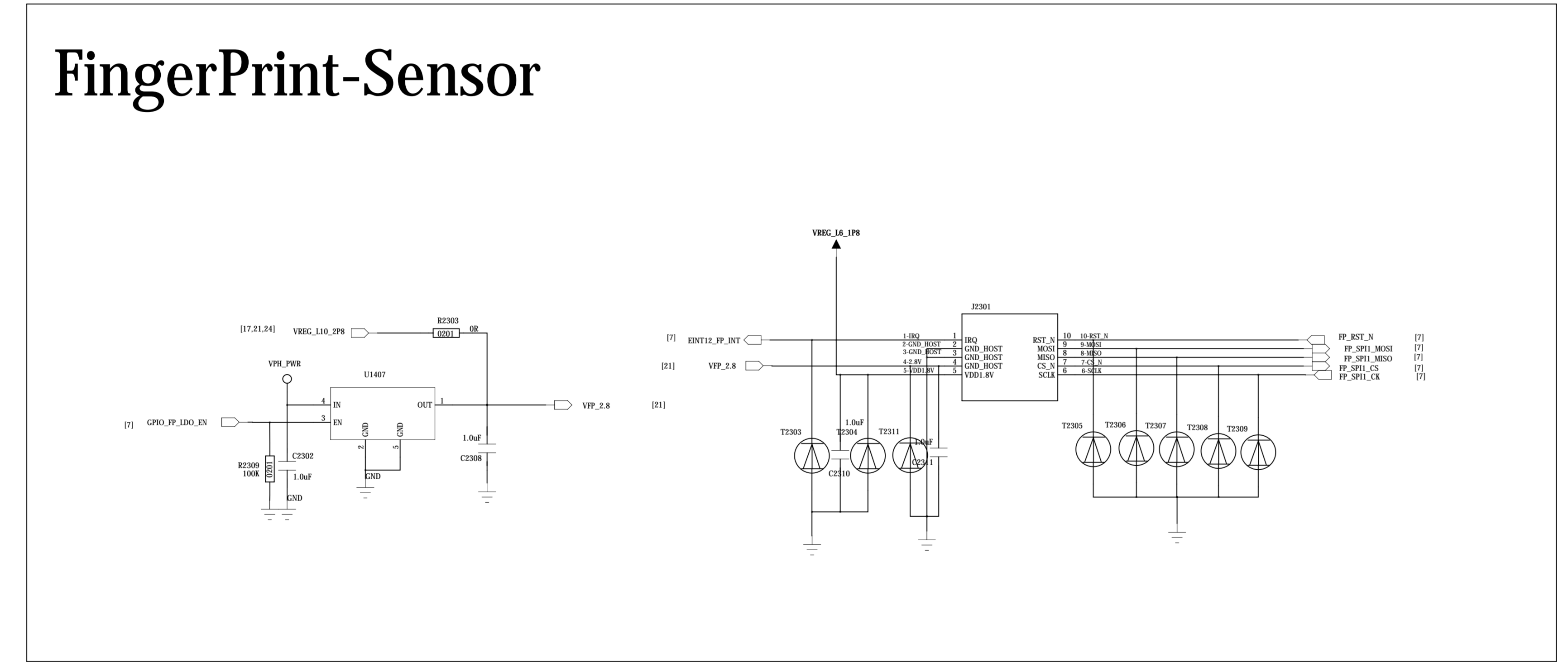
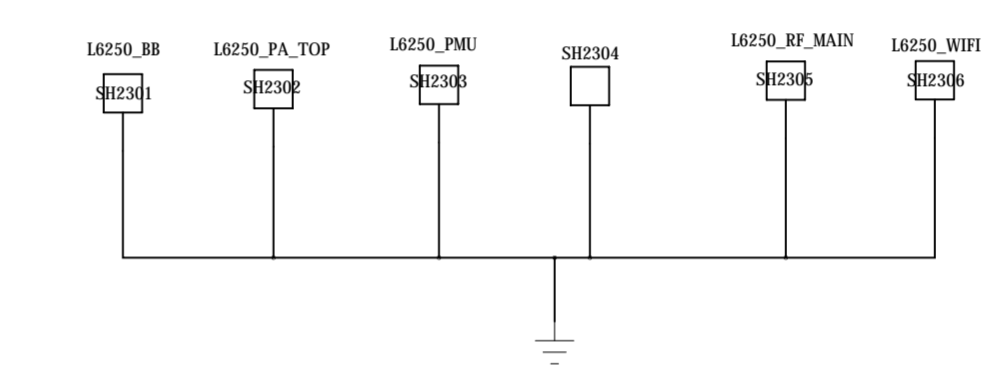
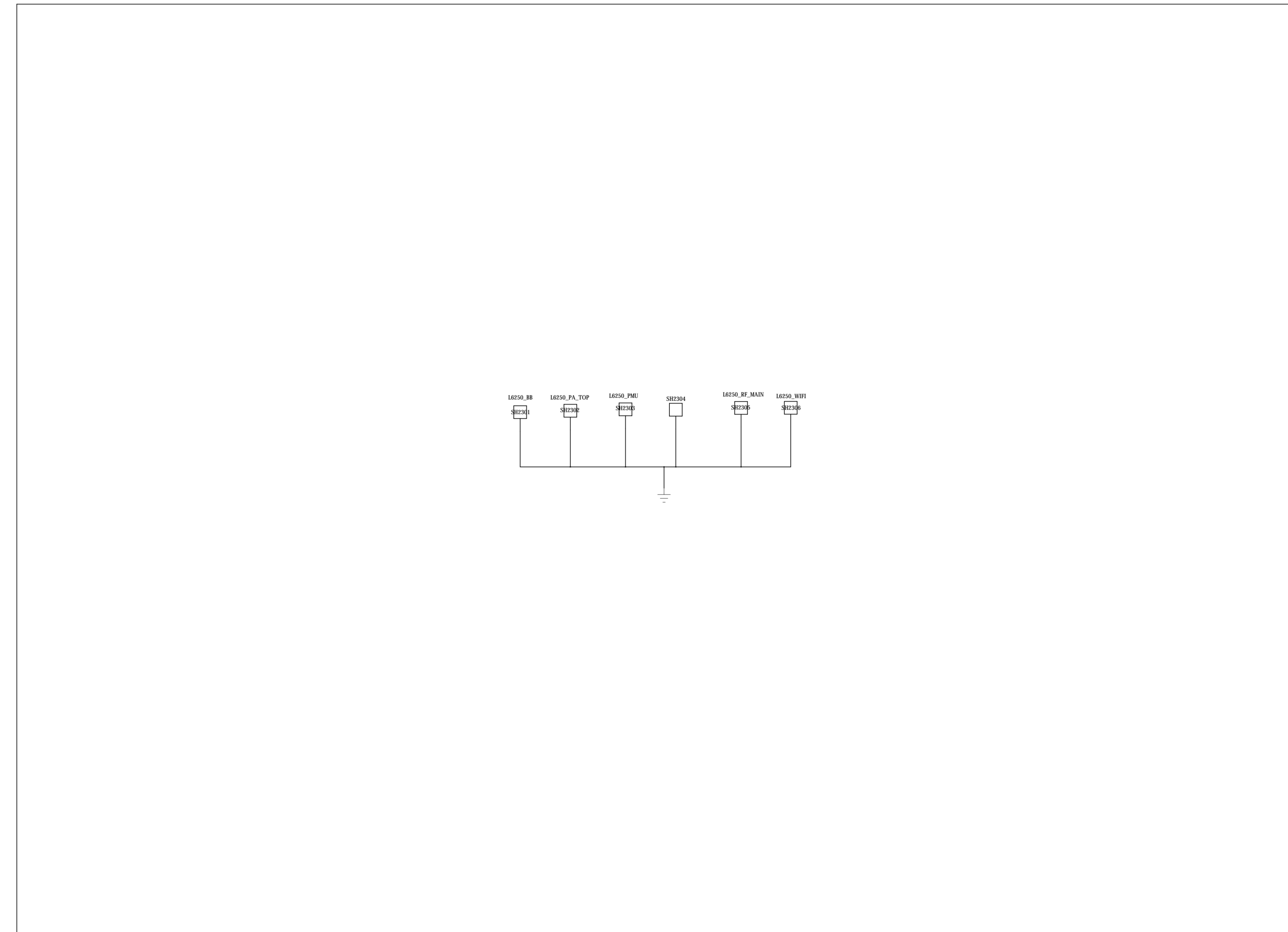
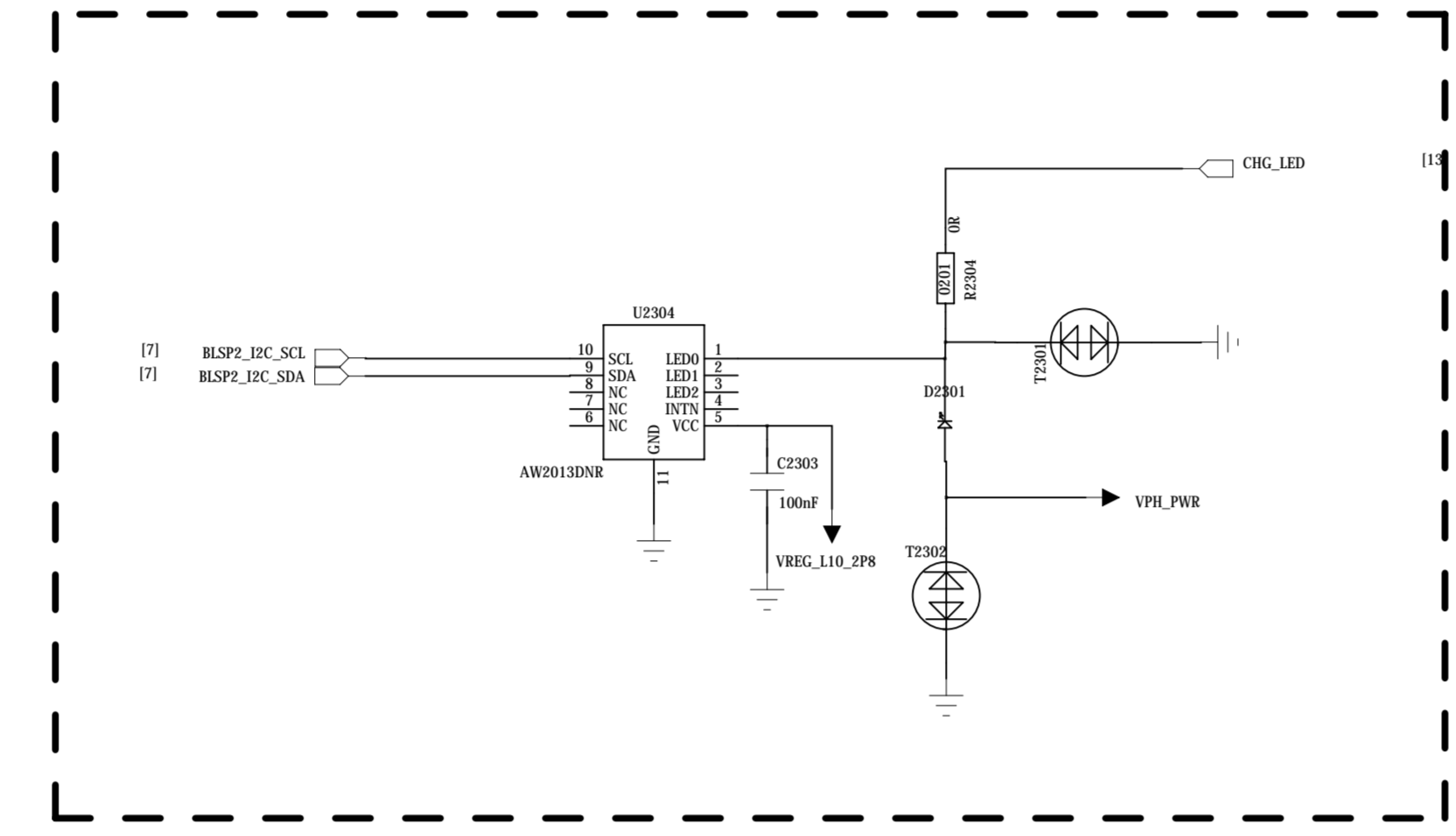
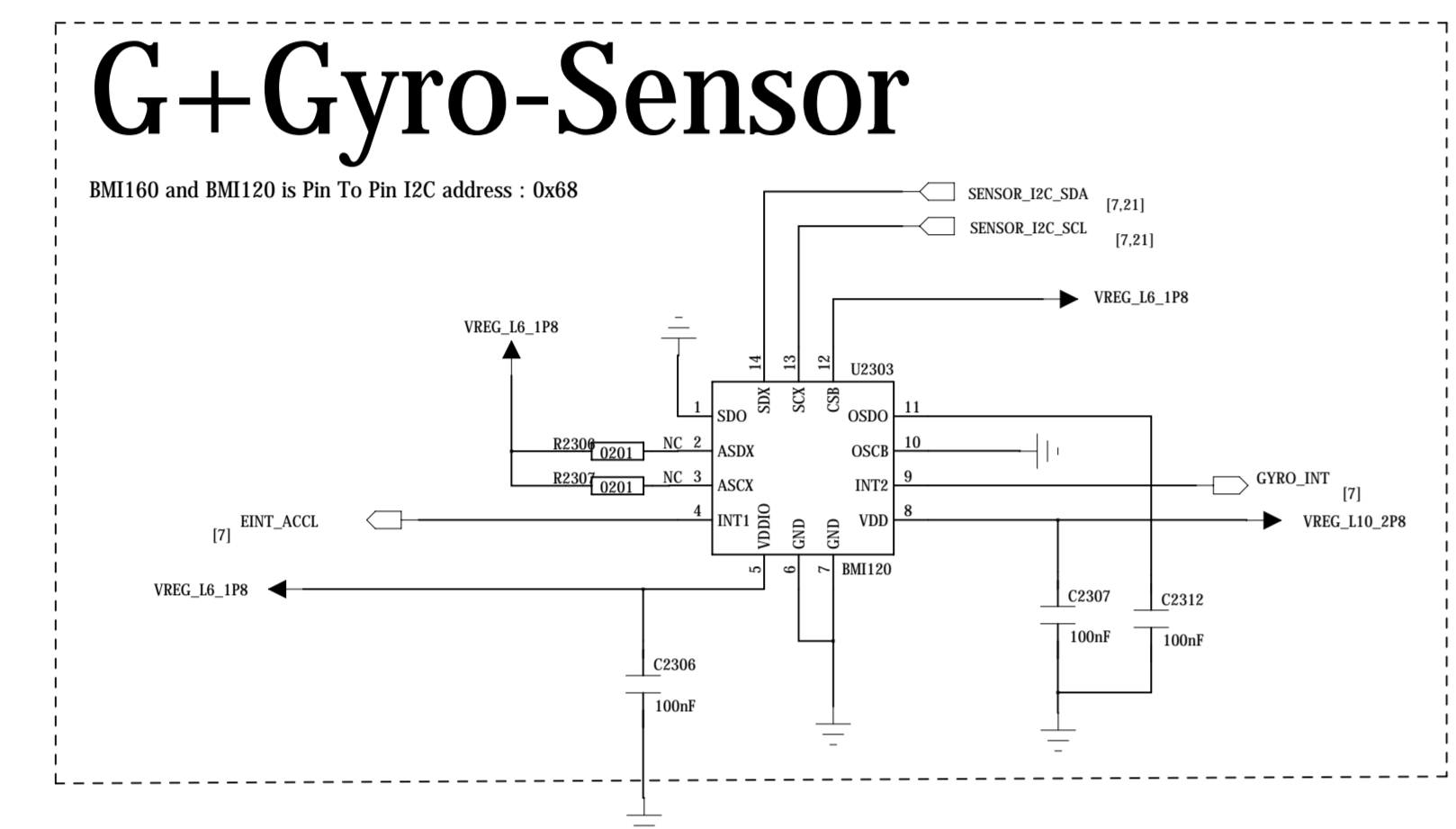
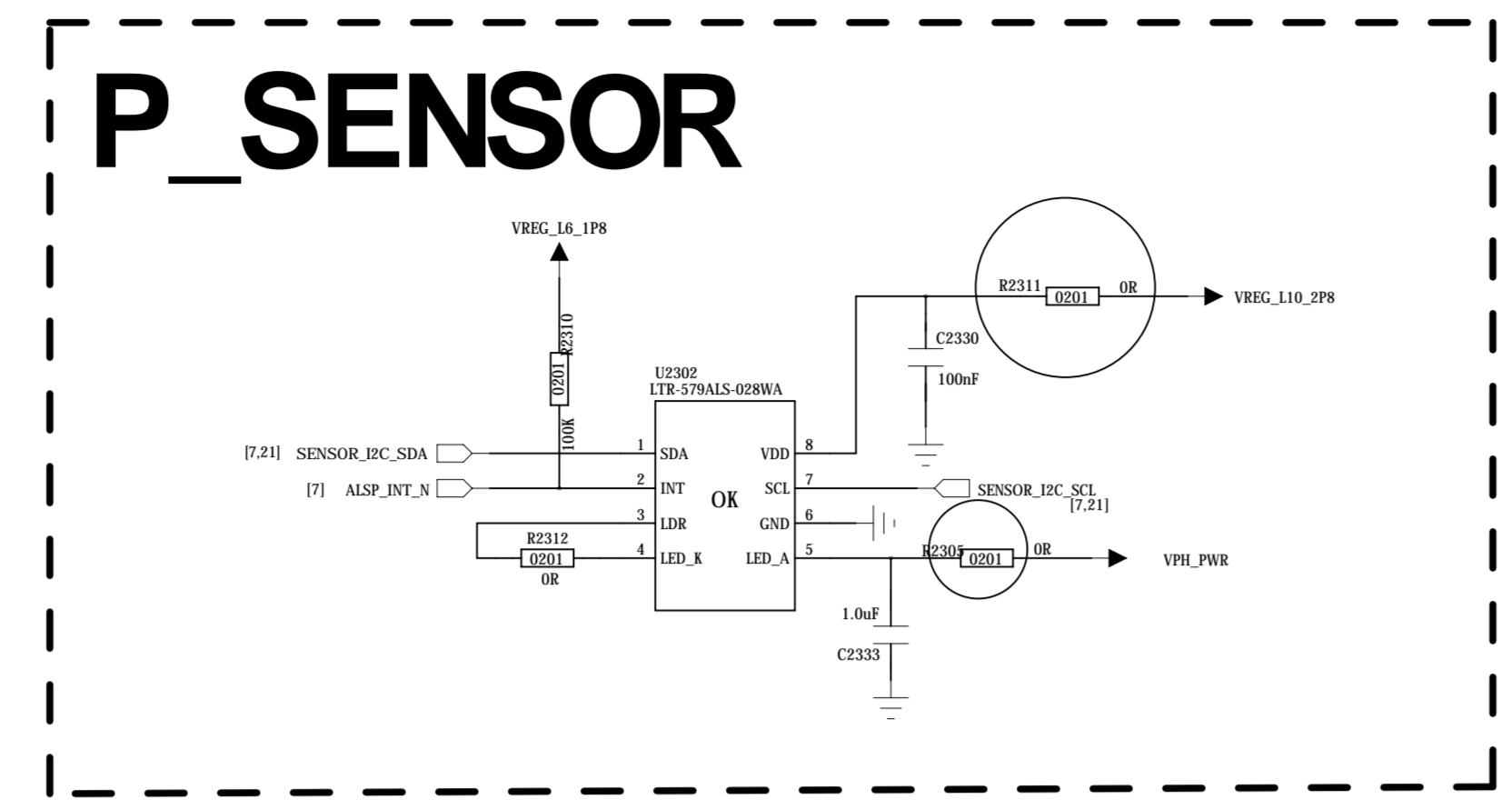
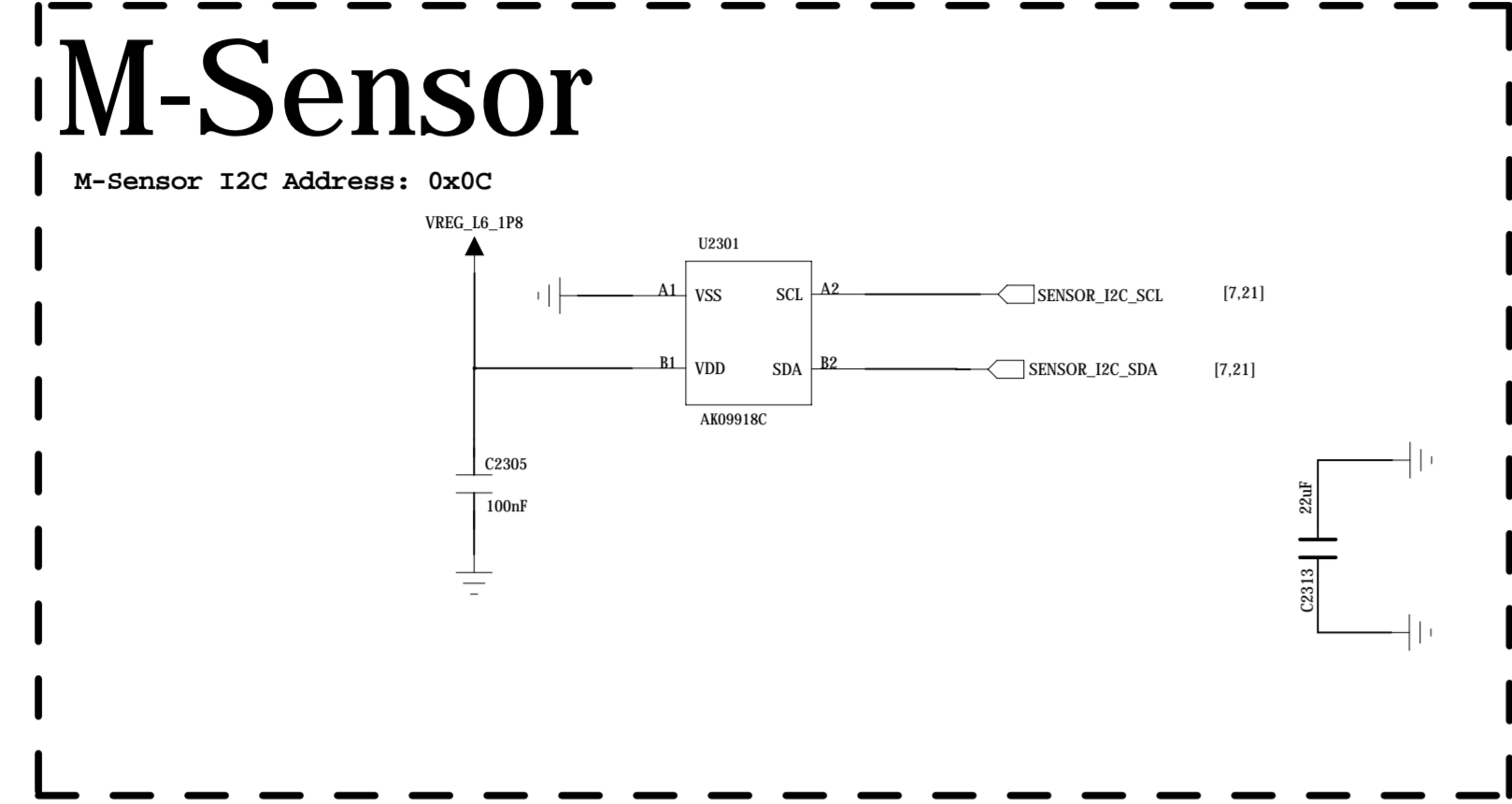
Note 62-1: The VCC of I2C\_0 is pulled to "VCAM\_IO\_PMU".

Note 62-2: I2C control interface of front camera (with AF) must be assigned to I2C-2 bus when PIP/VIW feature be supported.

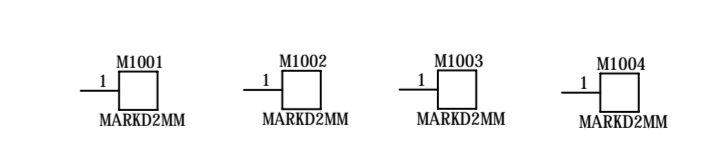
Note 62-3: Reserve a capacitor (27pF) on camera's MCLK and shunt it to GND to prevent GPS de-sense.

DRAWN: <Drawn By>		DATED: <Drawn Date>		COMPANY: <Company Name>	
CHECKED: <Checked By>		DATE: <Checked Date>		TITLE: <Title>	
QUALITY CONTROL: <QC By>		DATE: <QC Date>		CODE: <Code>	SIZE: A0
RELEASED: <Released By>		DATE: <Release Date>		DRAWING NO. <Drawing Number>	
				SCALE: <Scale>	SHEET 80 91

REVISION RECORD			
ITR	REV NO	APPROVED	DATE



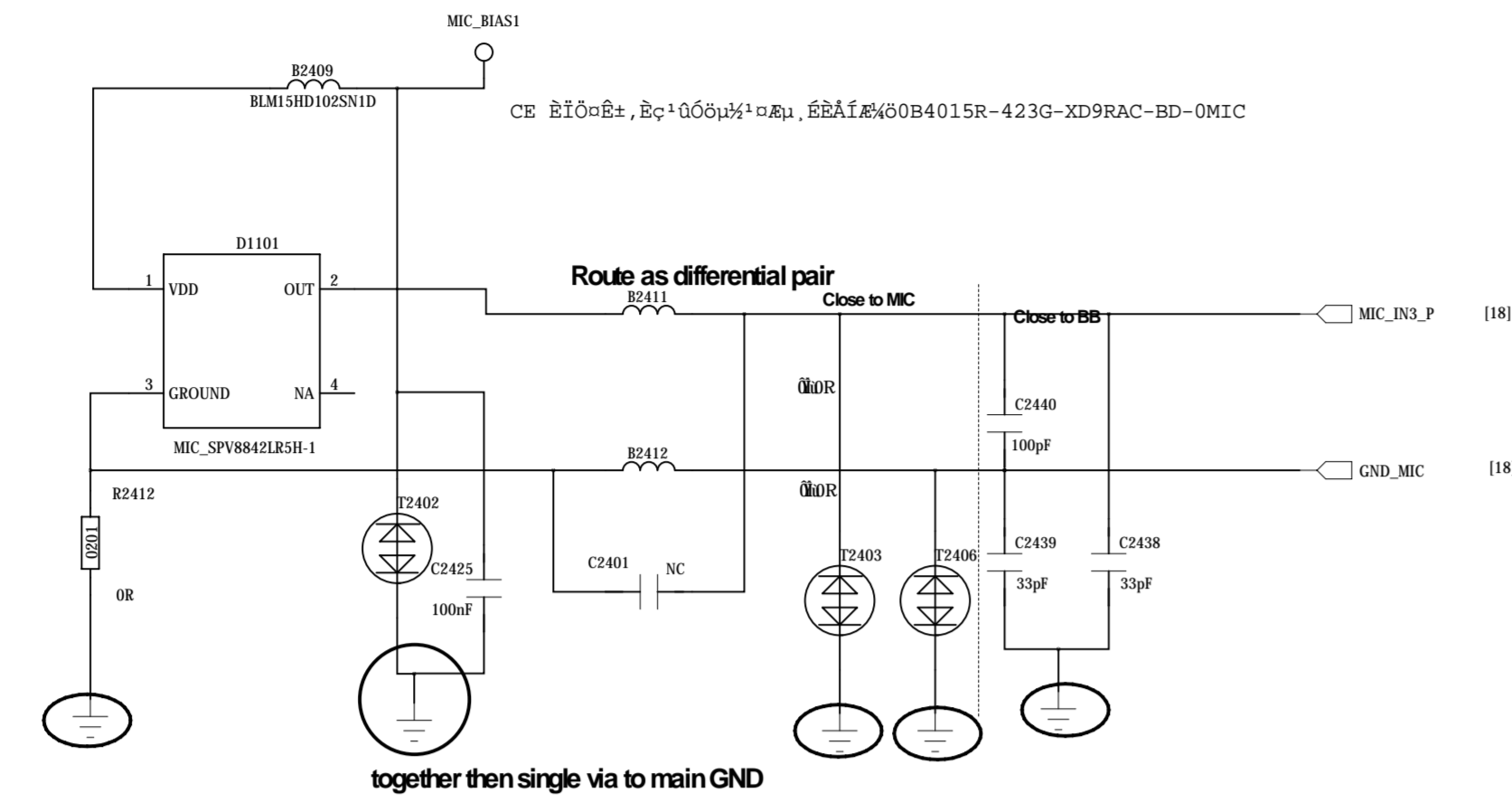
**MARK POINT**



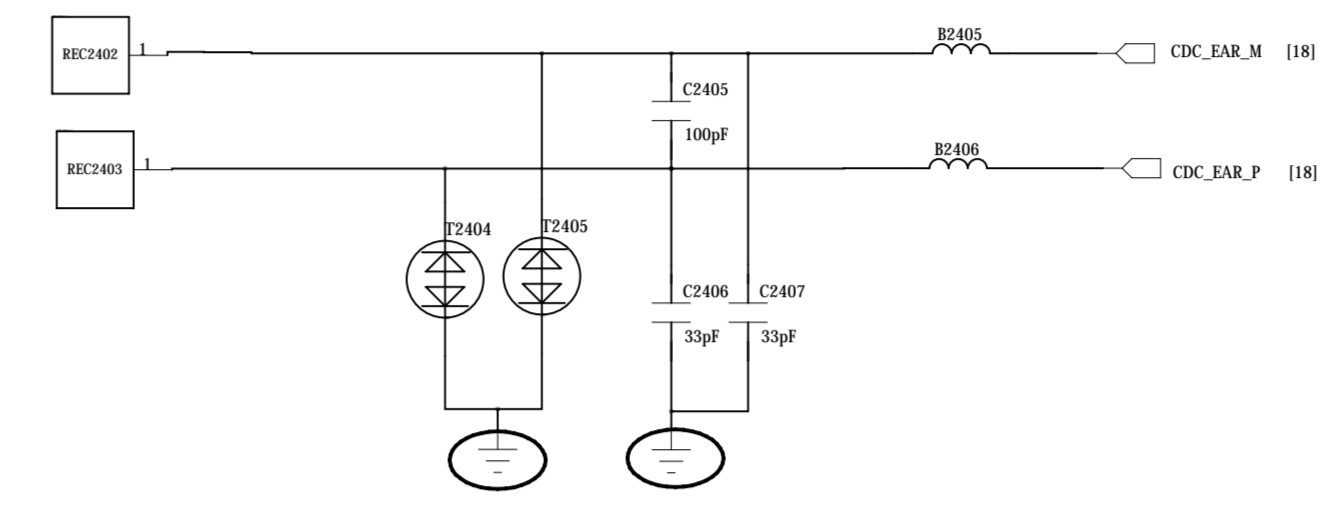
DRAWN: <Drawn By>		DATE: <Drawn Date>		COMPANY: <Company Name>	
CHECKED: <Checked By>		DATE: <Checked Date>		TITLE: <Title>	
QUALITY CONTROL: <QC By>		DATE: <QC Date>		CODE: <Code>	SIZE: <Size>
RELEASED: <Released By>		DATE: <Released Date>		DRAWING NO: <Drawing Number>	
SCALE: <Scale>		SHEET: 24		REV: 31	

REVISION RECORD			
ITER	REV NO	APPROVED	DATE

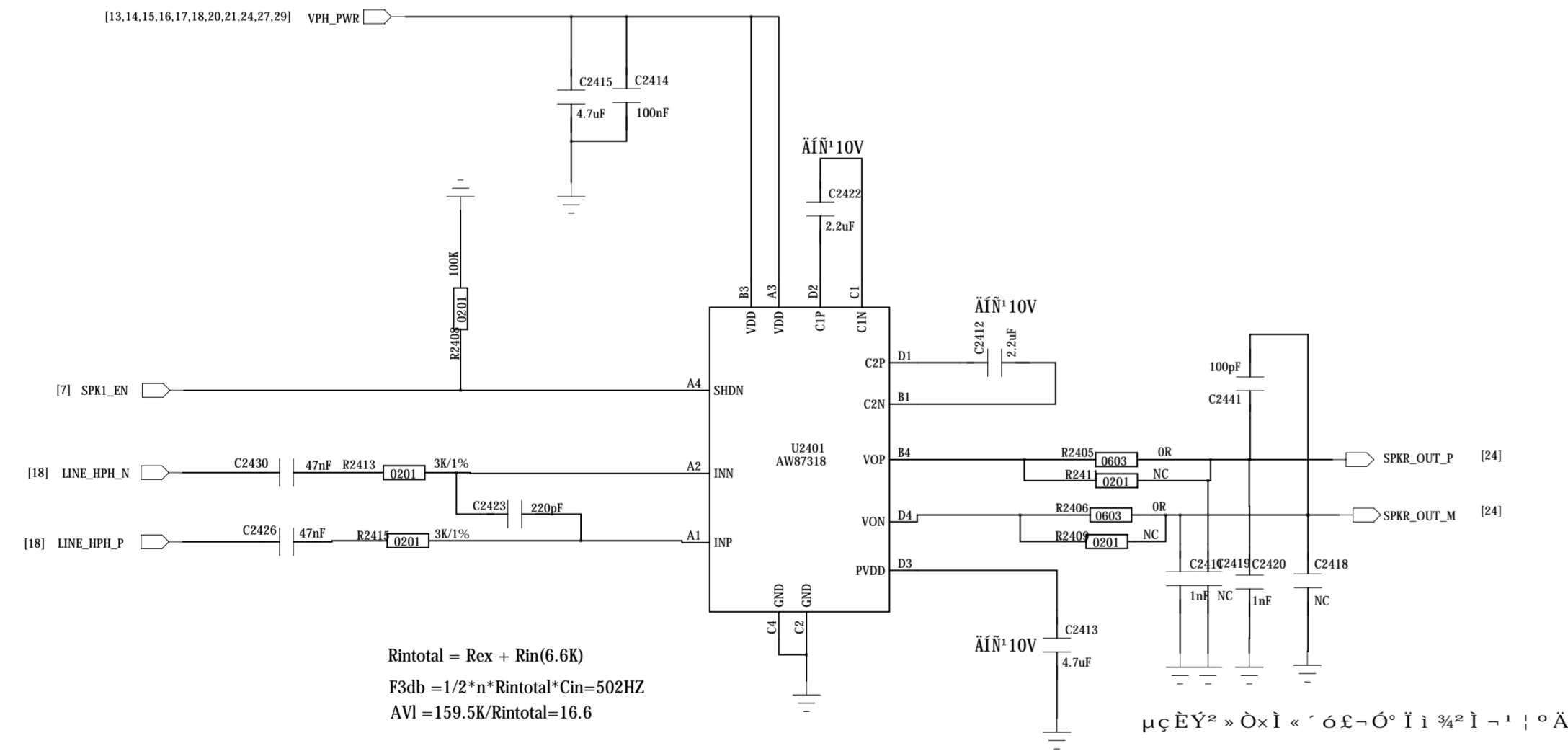
# Sub MIC



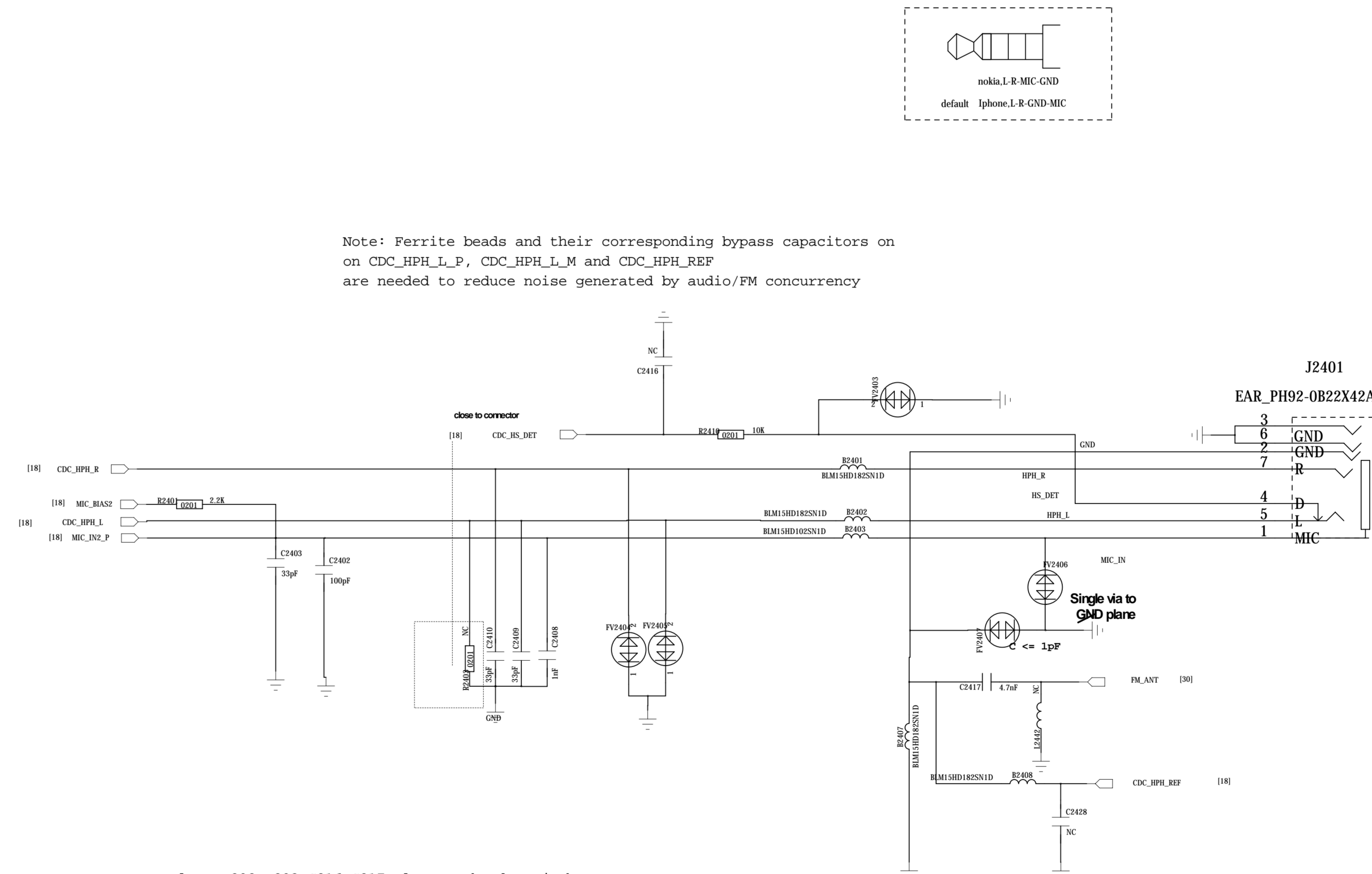
# REC



# Audio PA

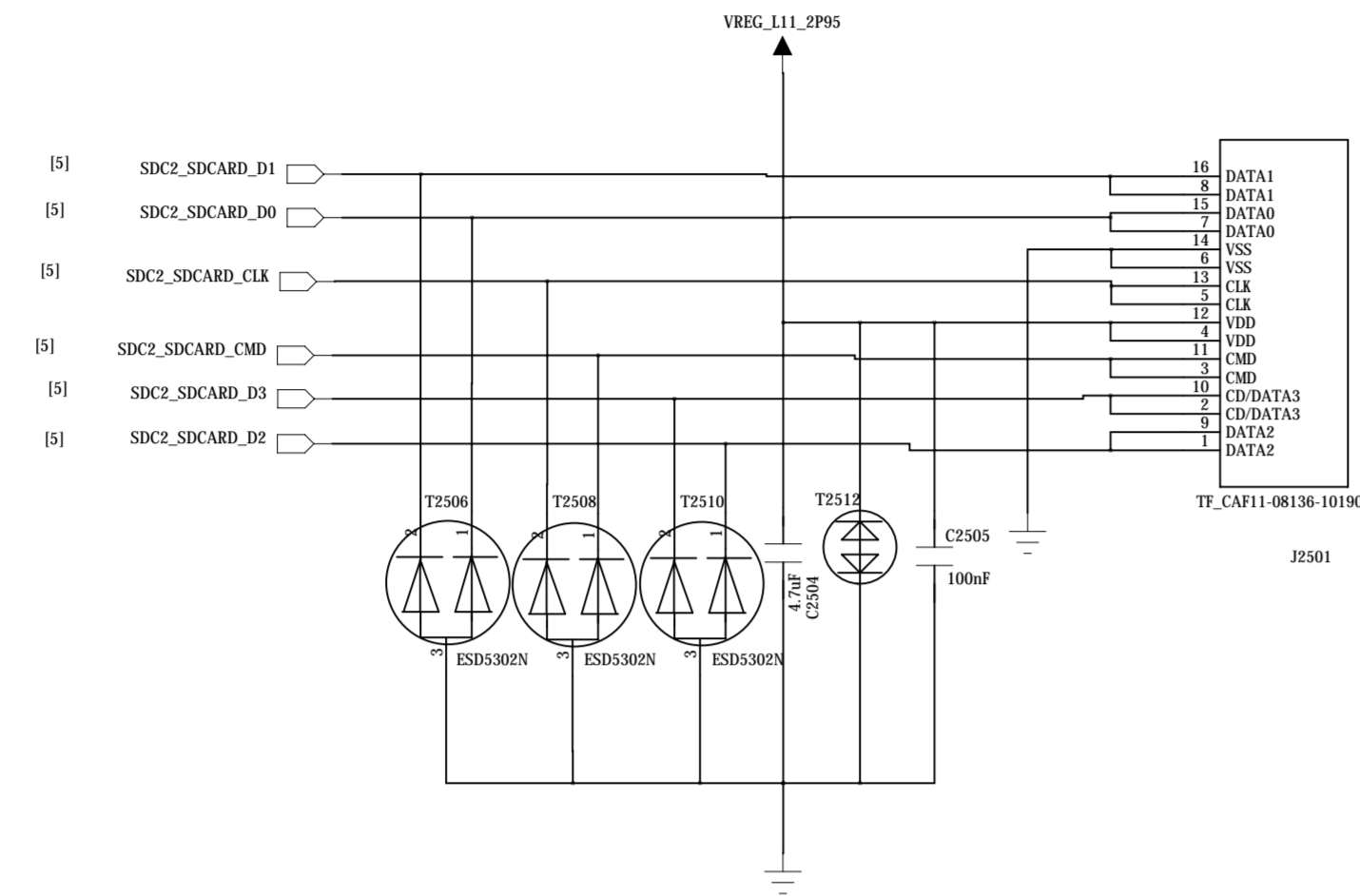


# Earphone Audio

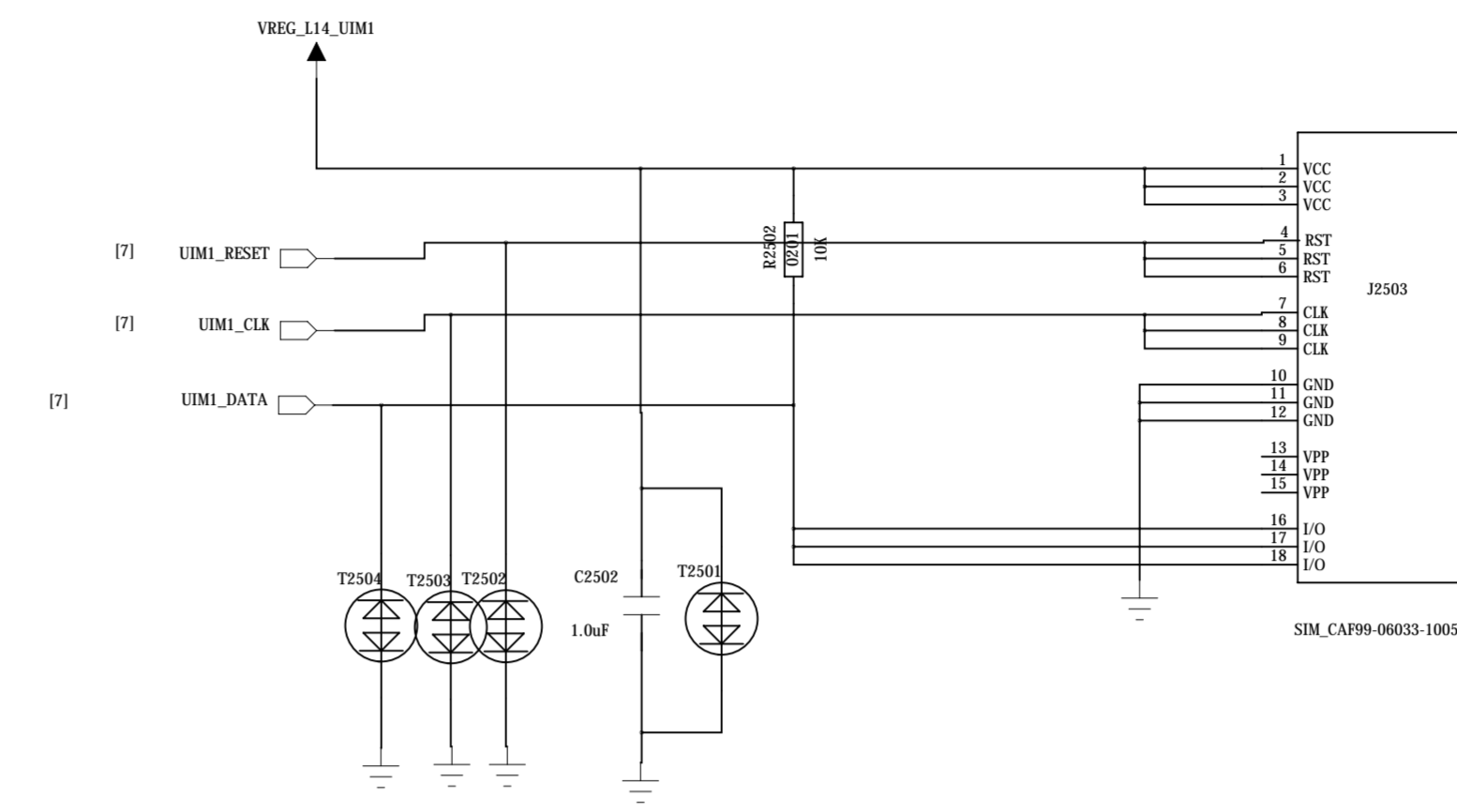


COMPANY:		<Company Name>			
TITLE:		<Title>			
DESIGN:	<Drawn By>	DATE:	<Drawn Date>	CODE:	SIZE:
CHECKED:	<Checked By>	DATE:	<Checked Date>	DRAWING NO.:	REV.:
QUALITY CONTROL:	<QC By>	DATE:	<QC Date>	<Code> A0 <Drawing Number> <Revision>	
RELEASED:	<Released By>	DATE:	<Release Date>	SCALE:	<Scale>
				SHEET	31

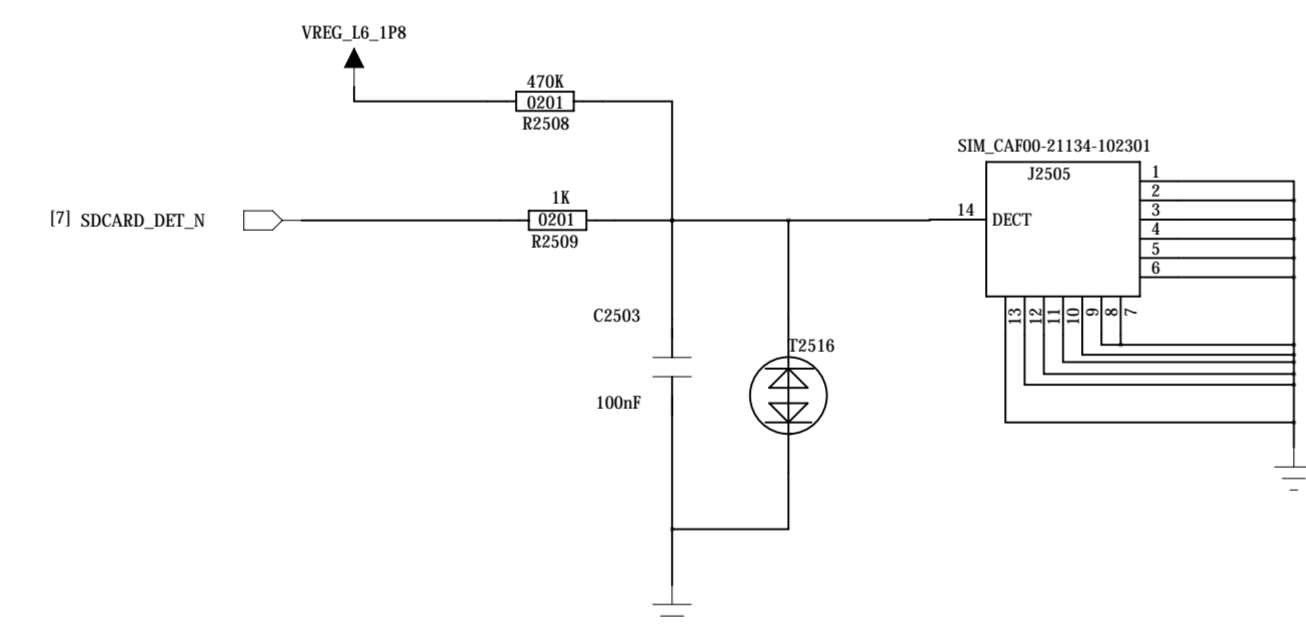
# T- Card



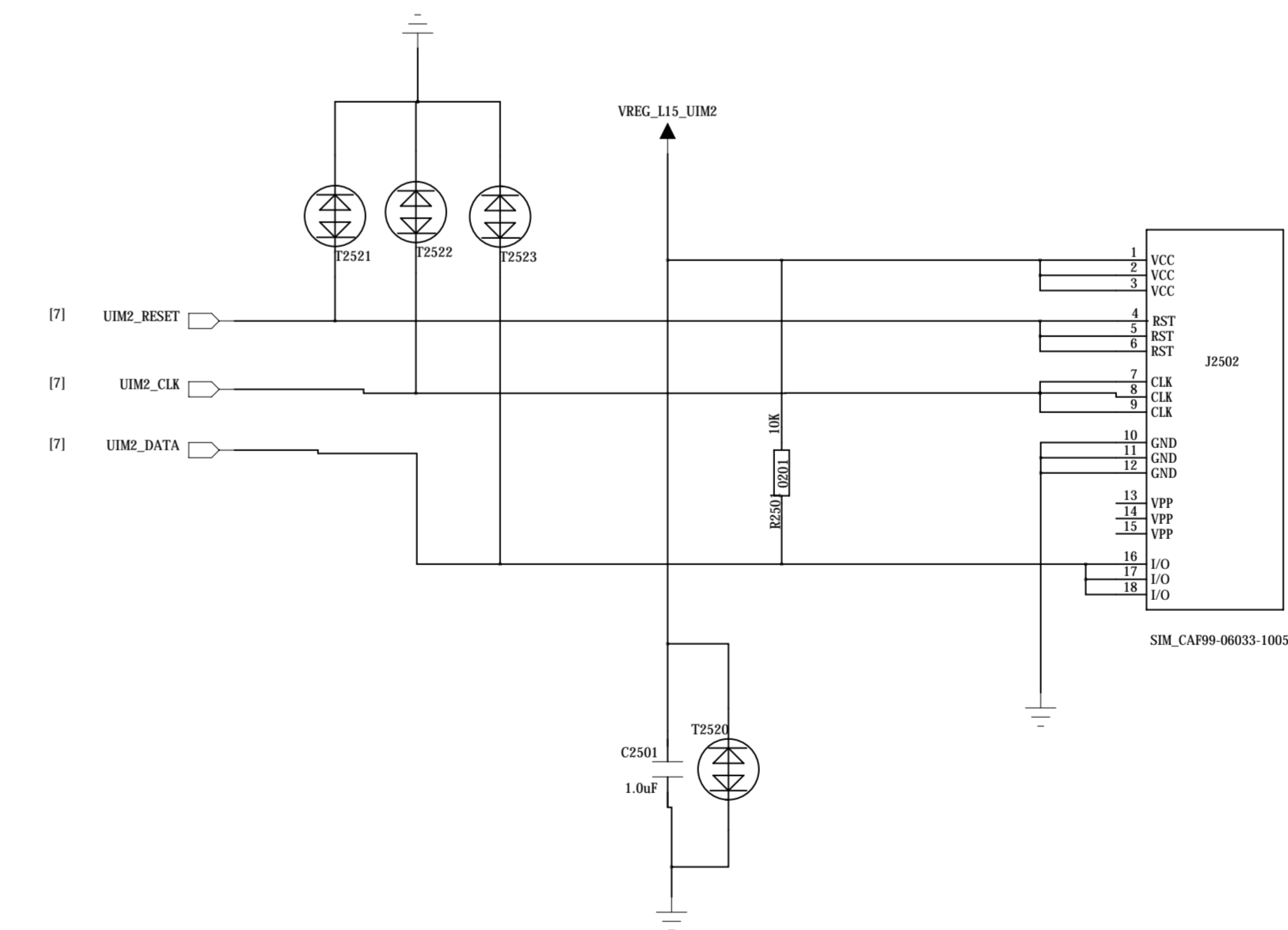
# SIM1



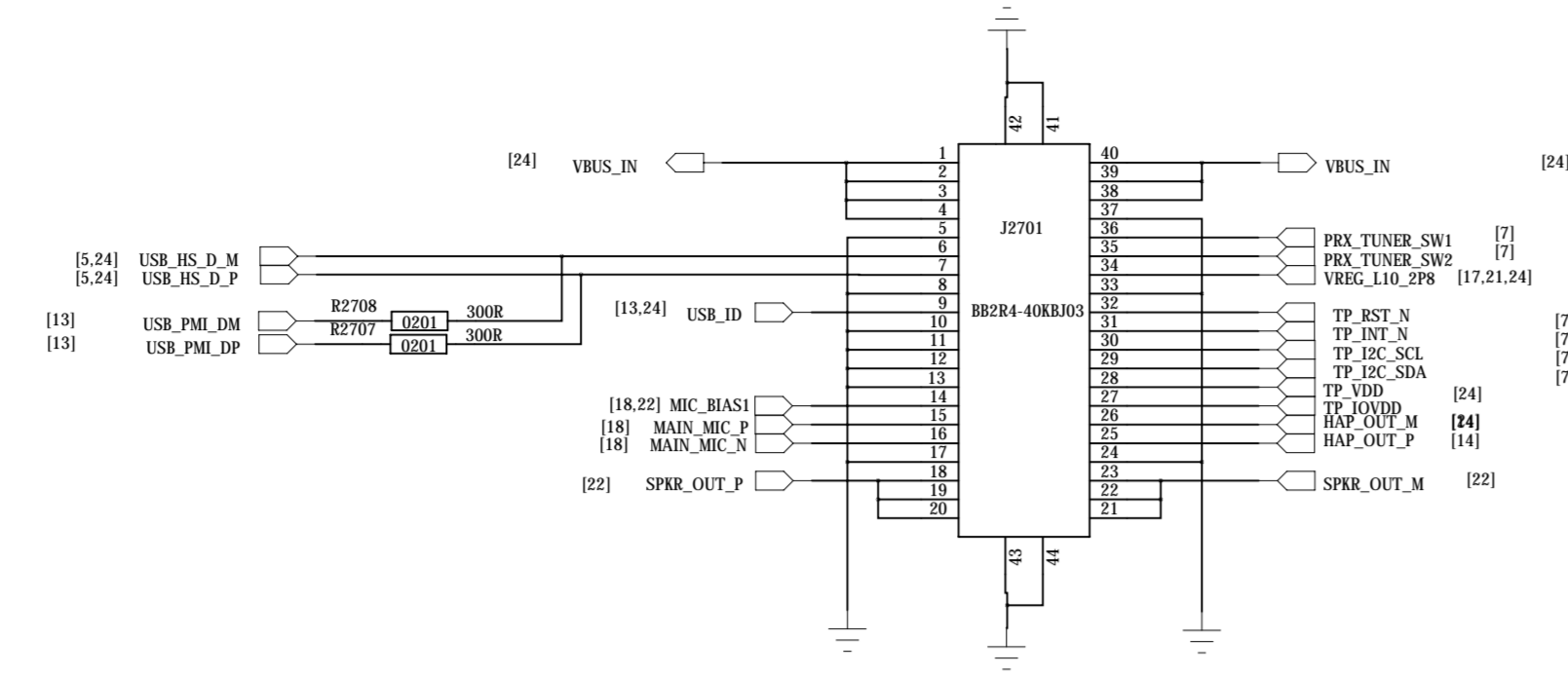
# INT



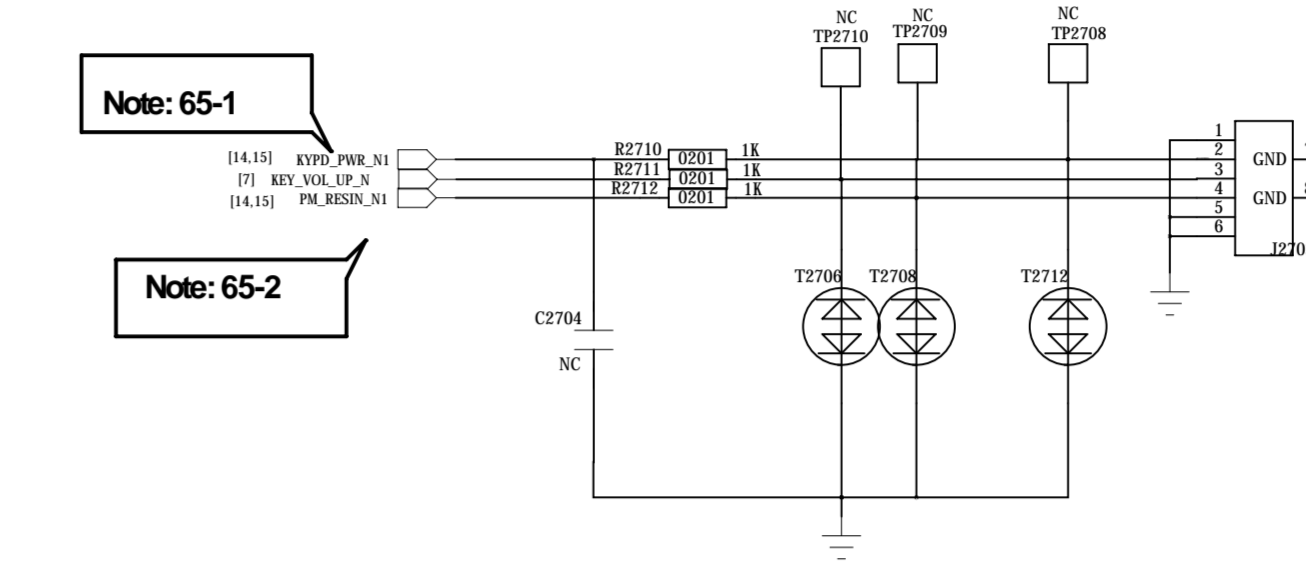
# SIM2



# SUB\_FPC



# Power Key

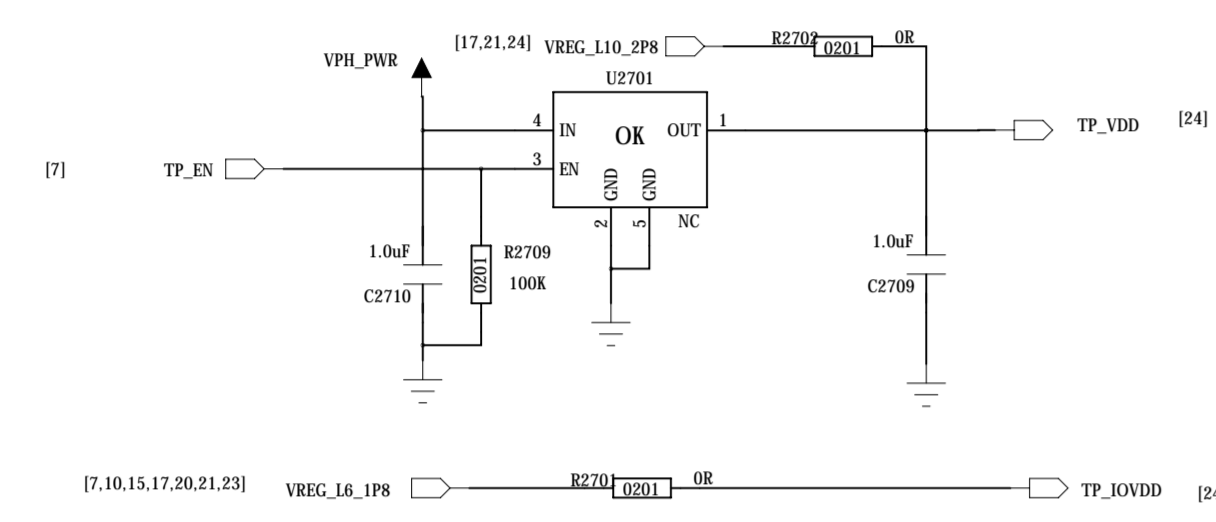


Schematic design notice of "65\_PERI\_Dual\_SIM\_ICUSB\_KEYPAD" page.

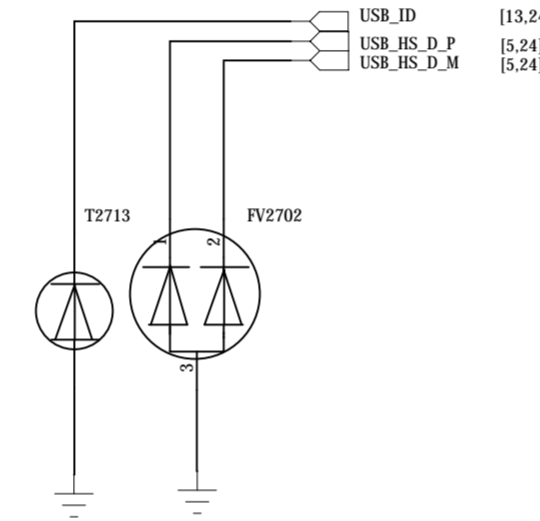
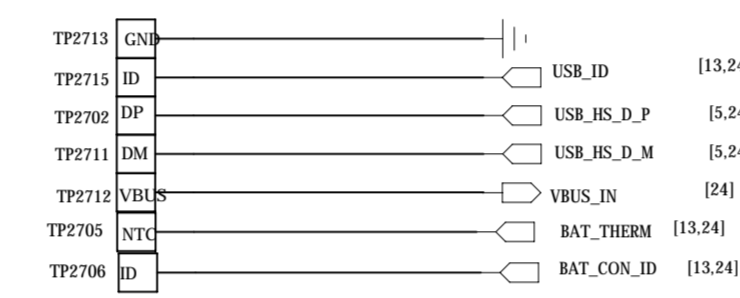
Note 65-1: DO NOT put pull-up resistor on PWRKEY

Note 65-2: Volume Up : HOME Key / GND  
Volume Down : (KPROW0/KPCOLO) or KPCOLO / GND

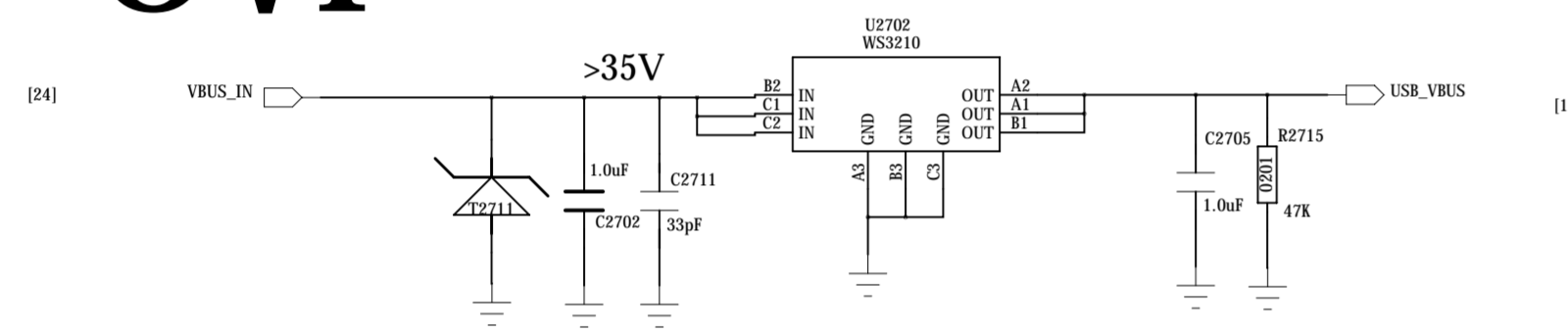
# LDO



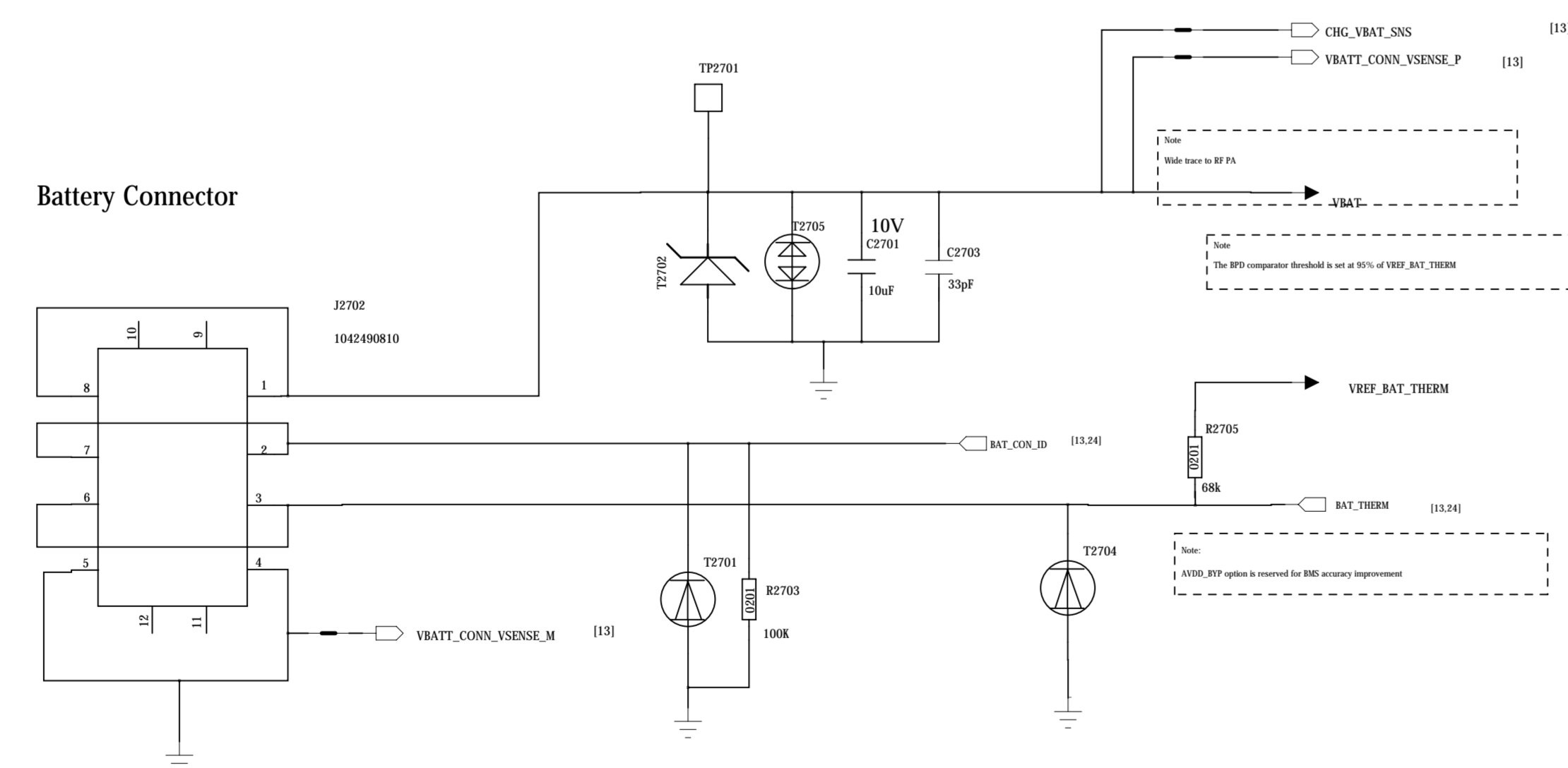
# Test point



# OVP

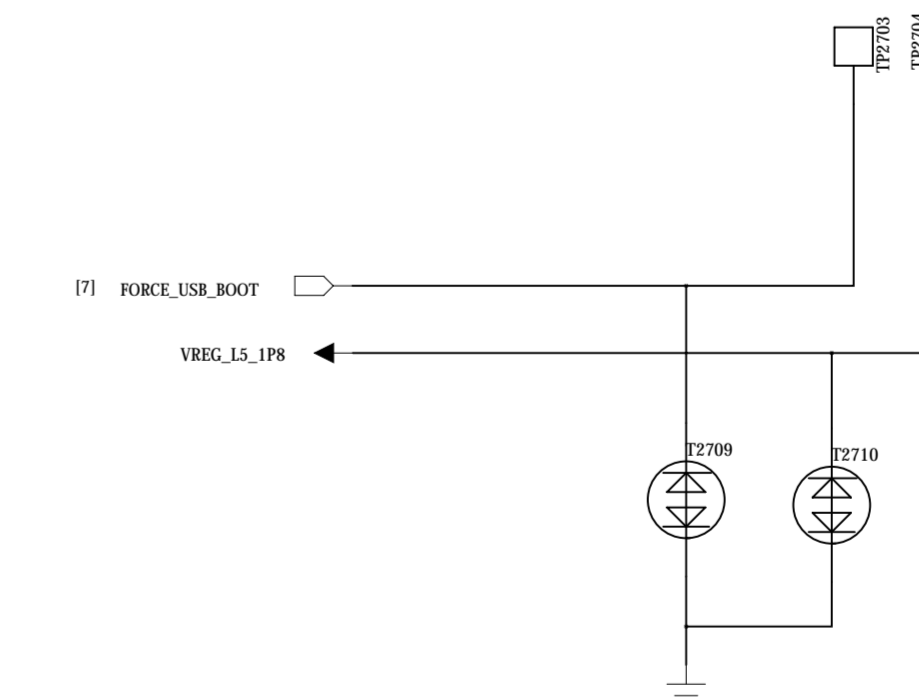


# BAT

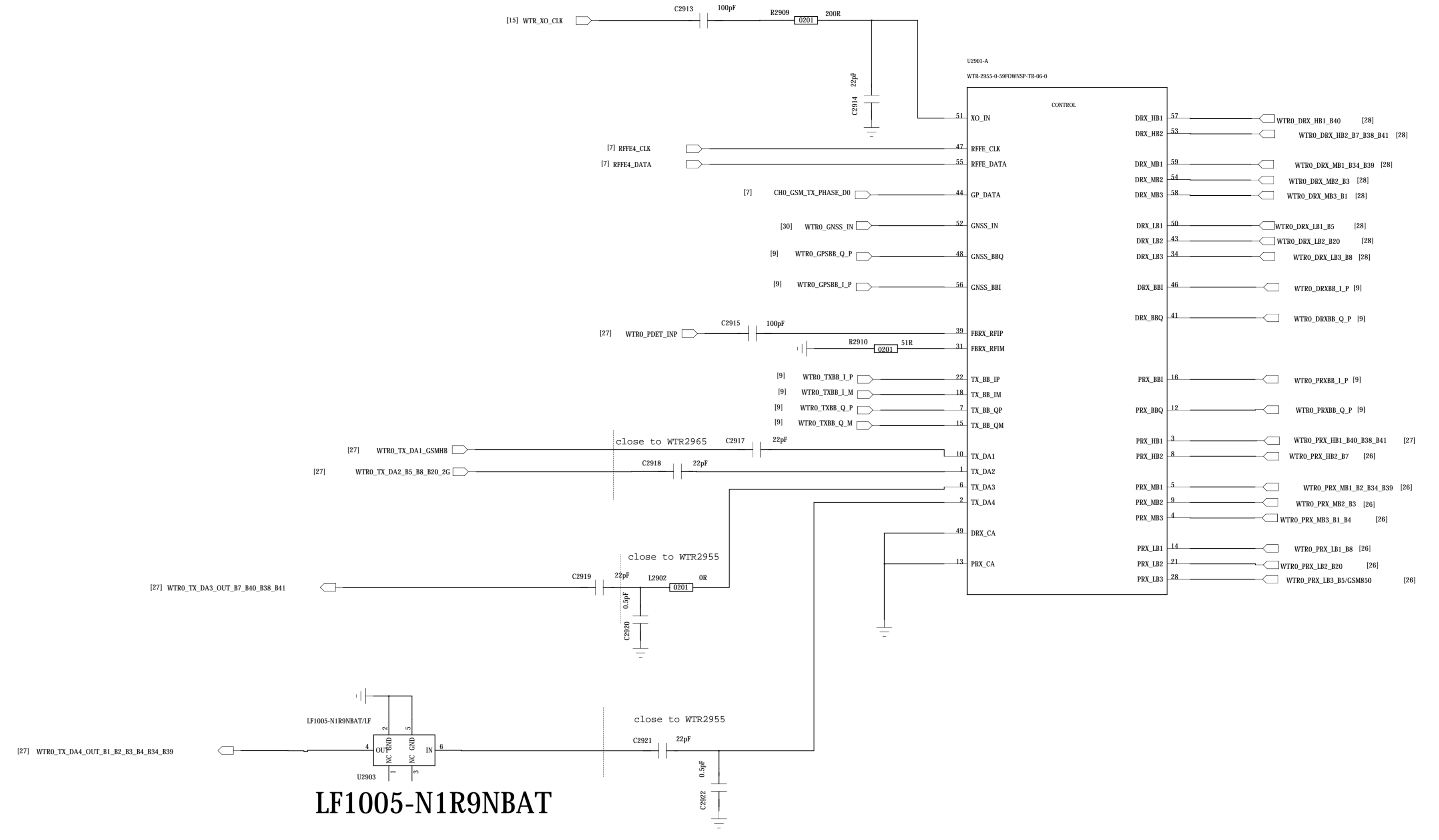
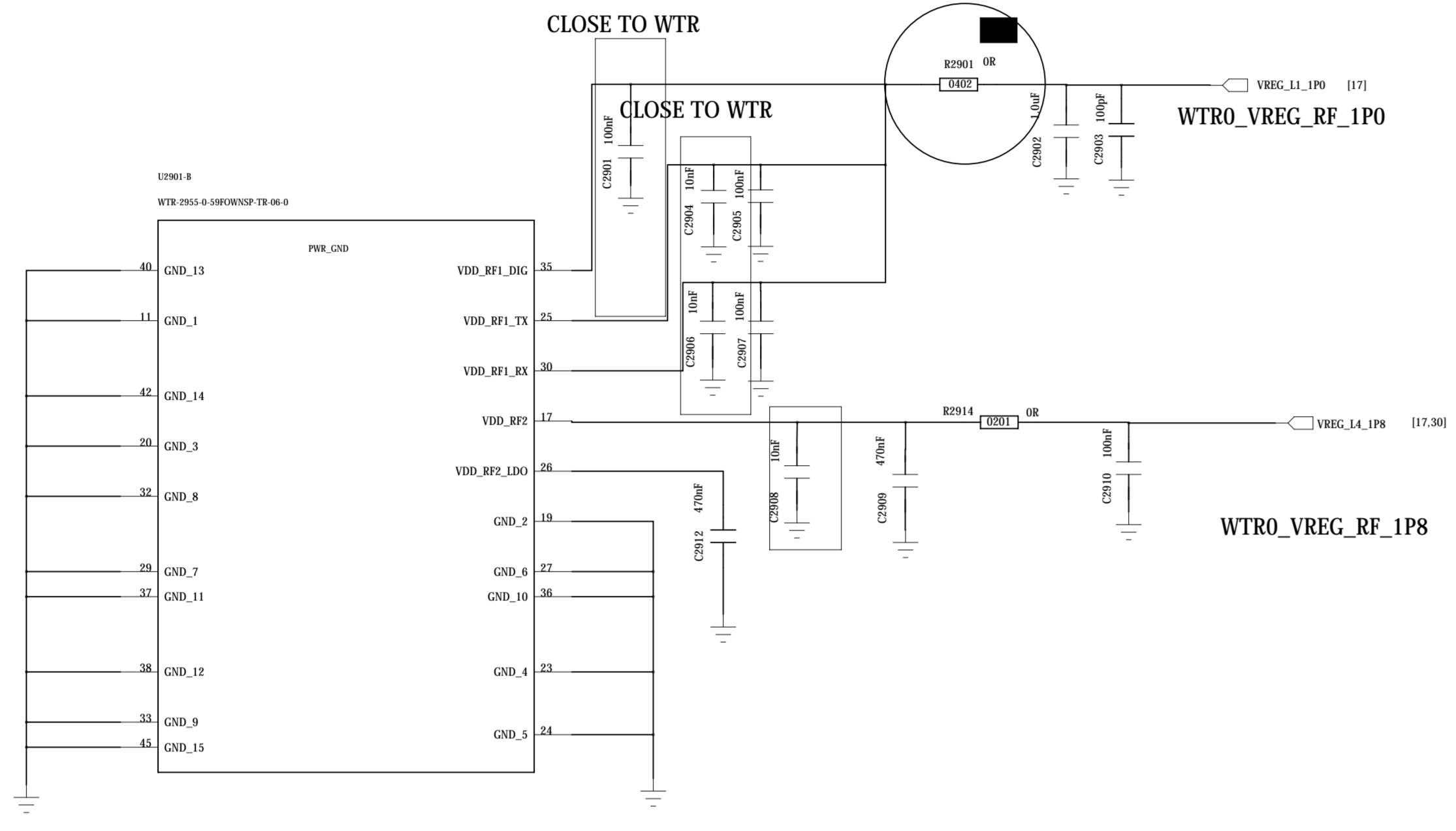


Note:  
Battery ID resistor value require 20K-150K.  
Add 100K to ground if battery package ID not meet requirement

# Force USB boot

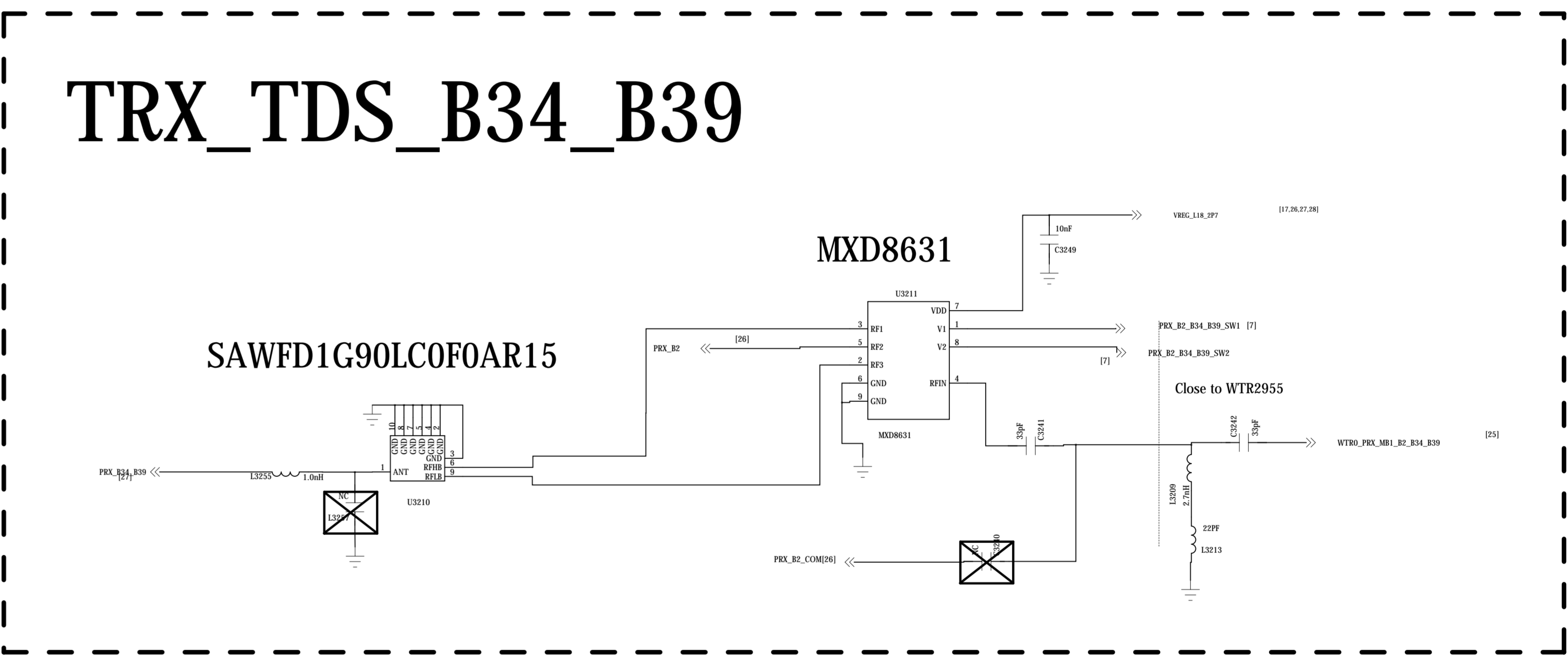
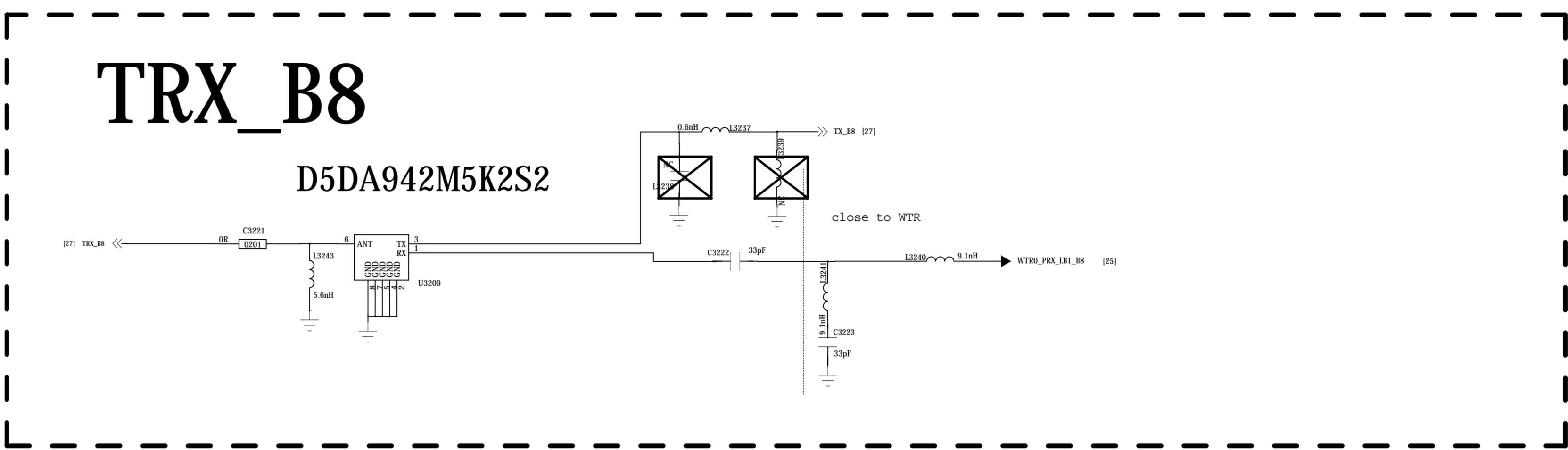
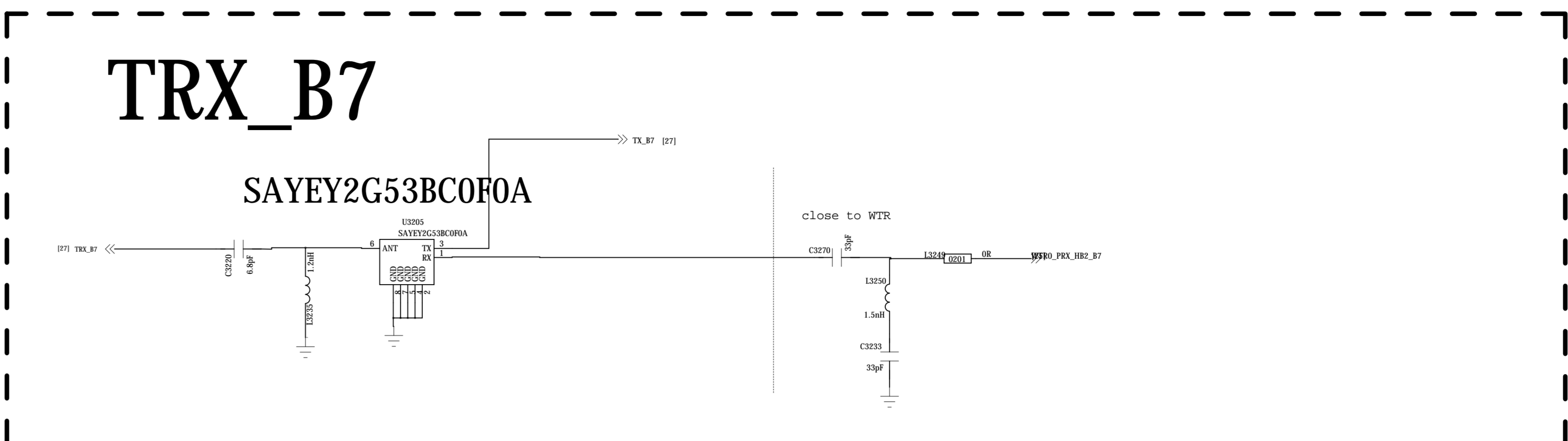
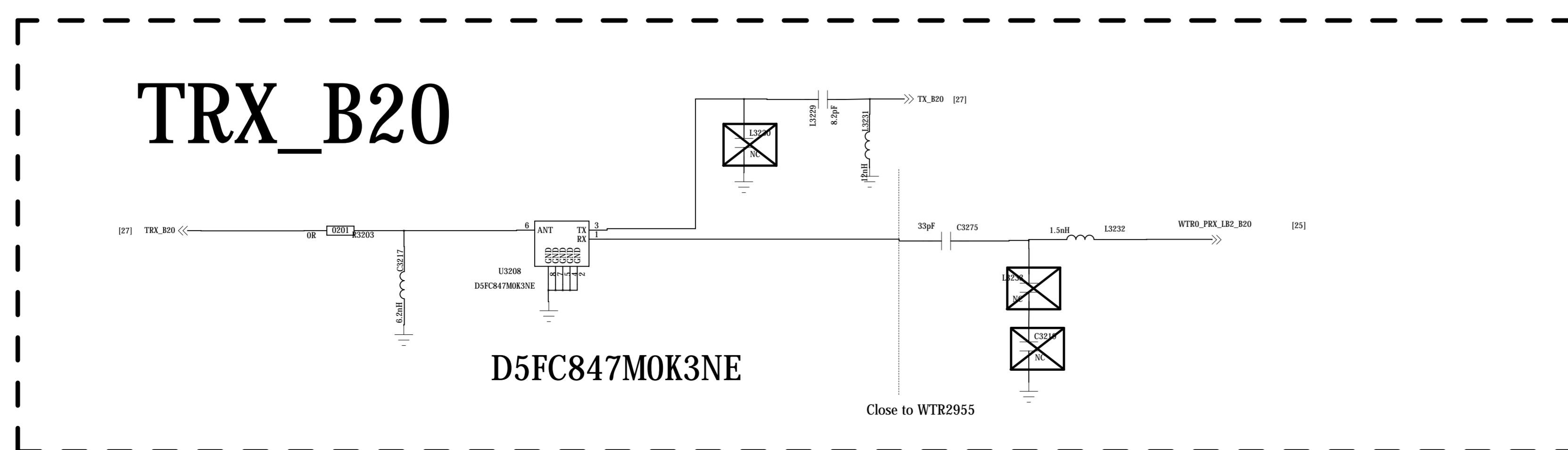
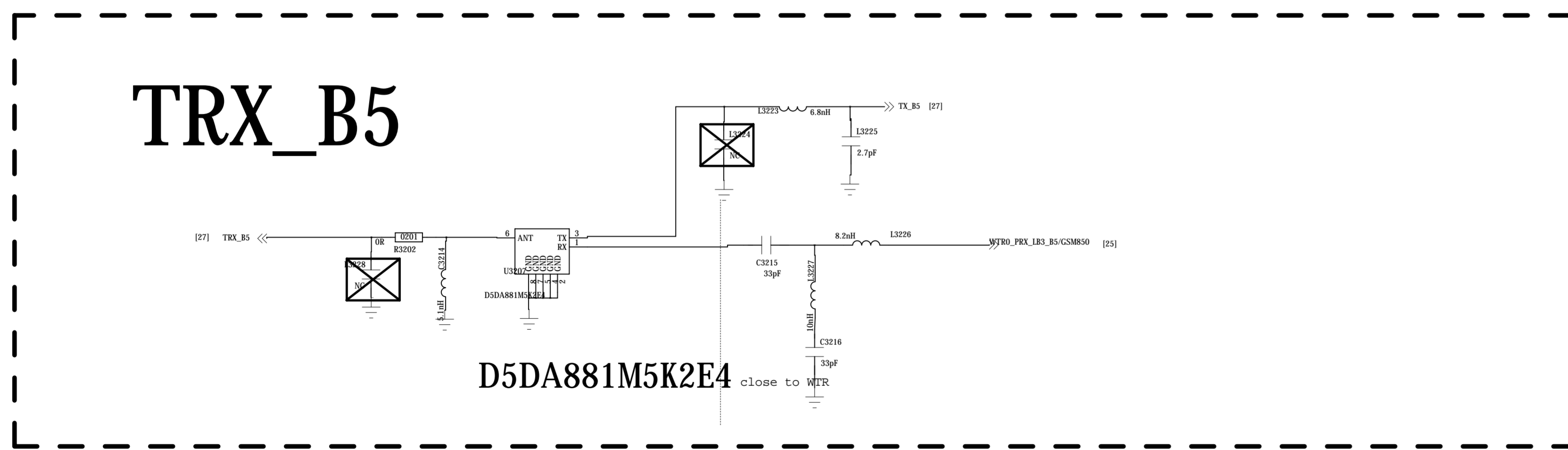
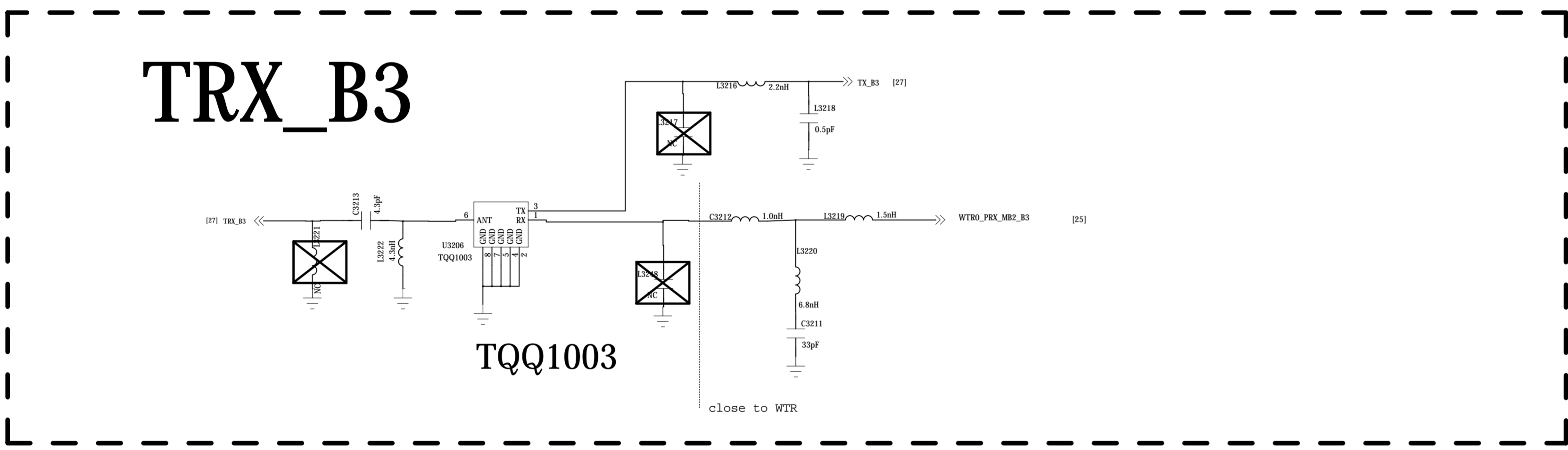
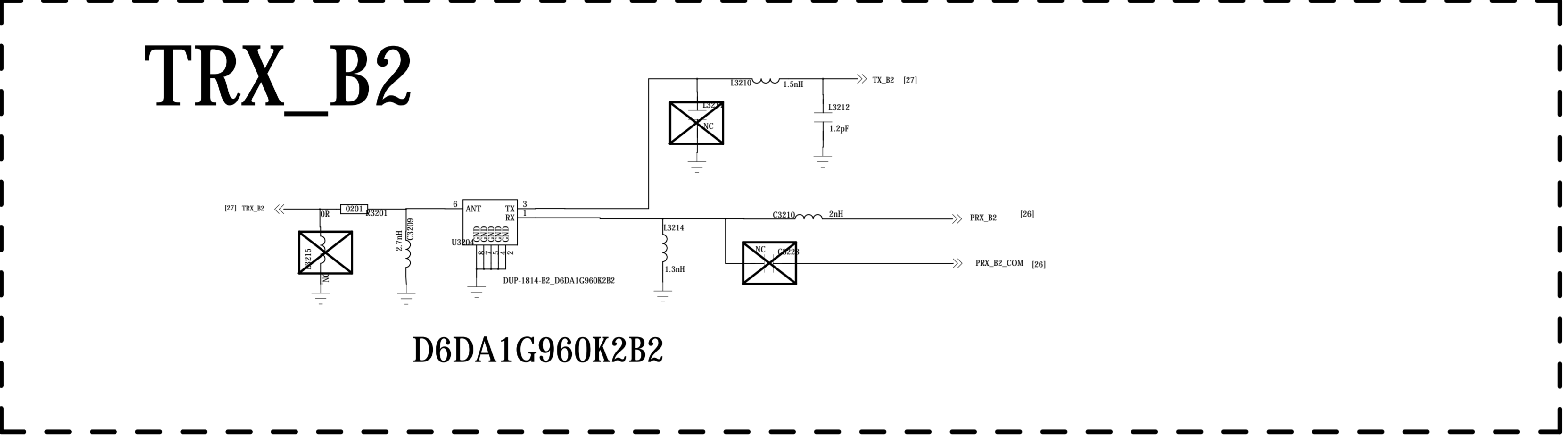
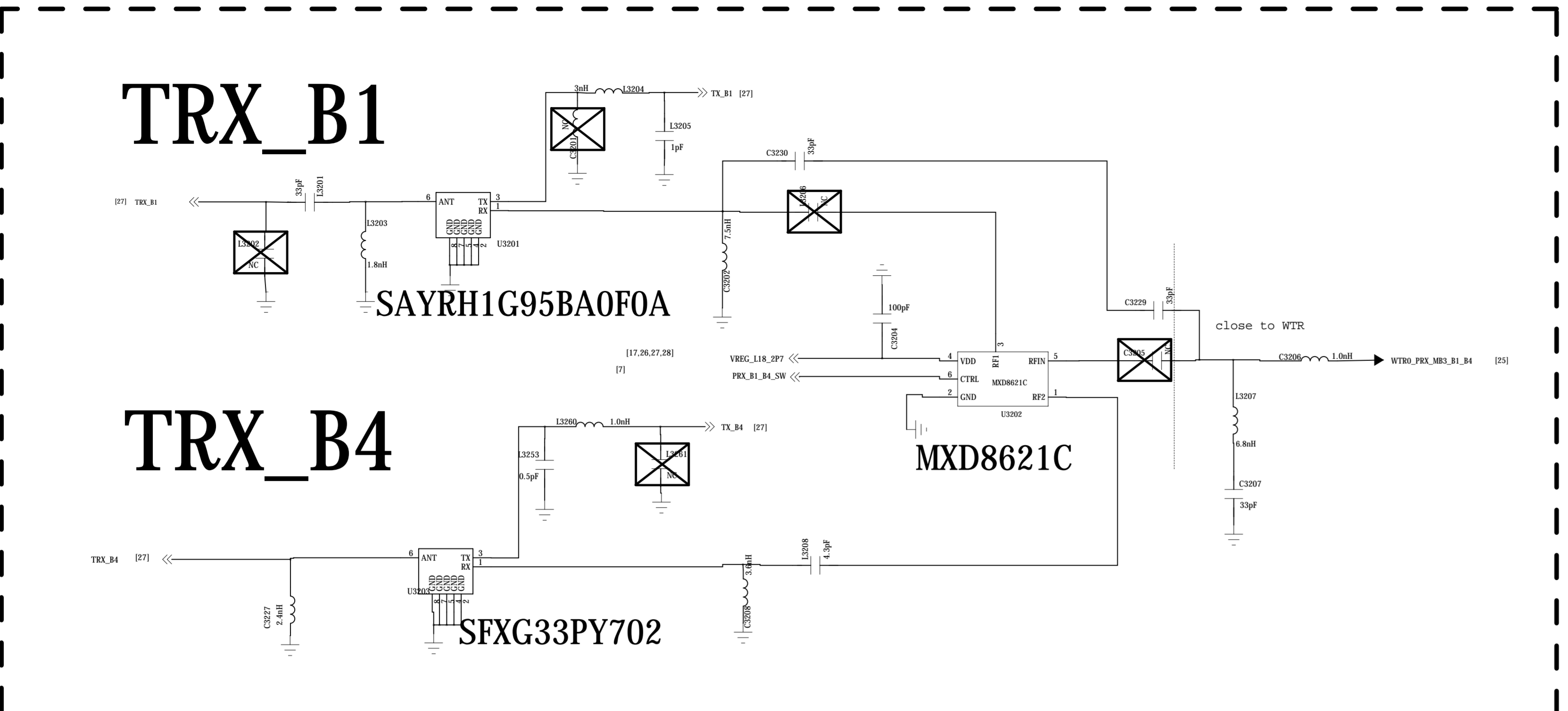


REVISION RECORD			
LT#	REV NO.	APPROVED	DATE



Note:RX ports have DC at the pin, so it need DC block, please make sure there is no DC short to other voltages and GND

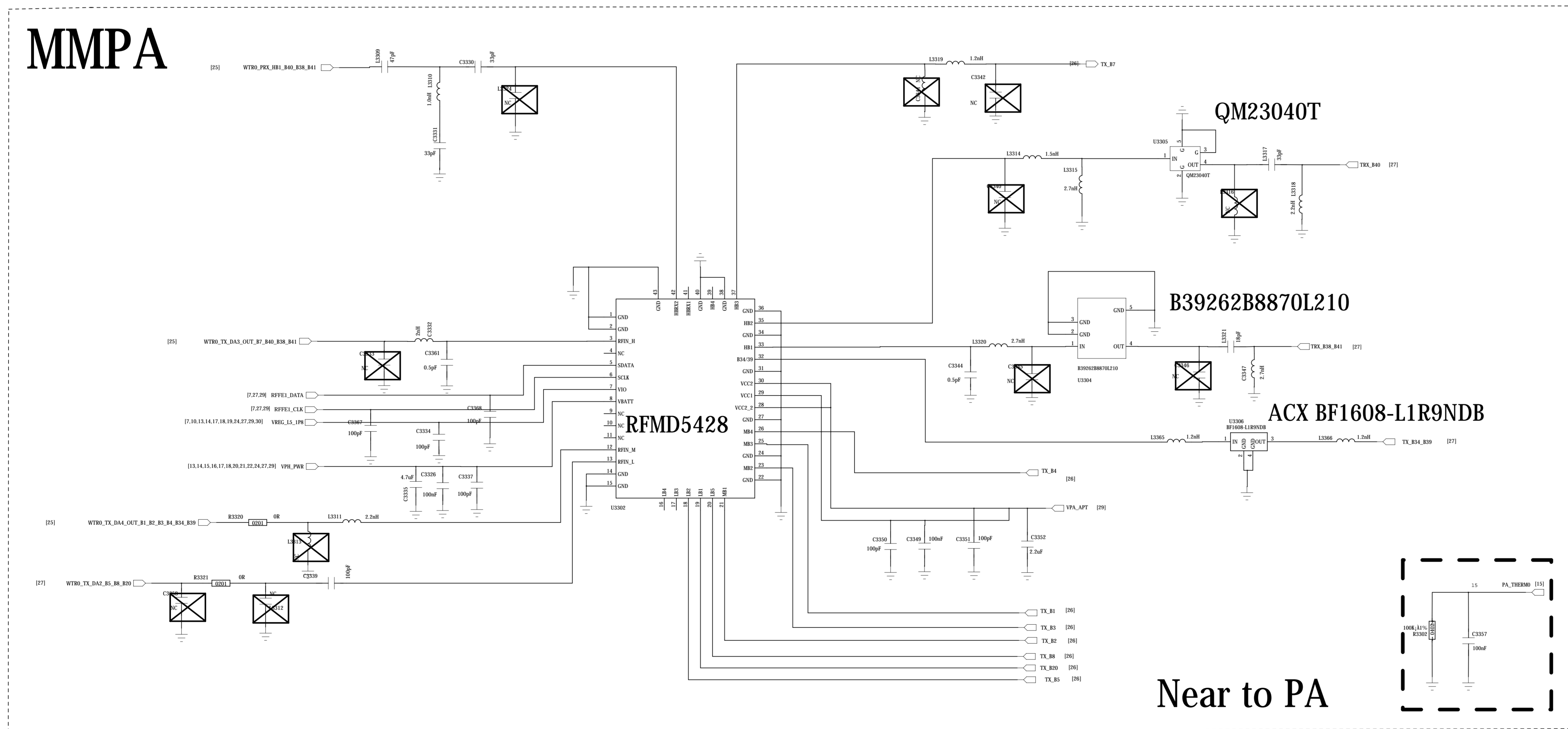
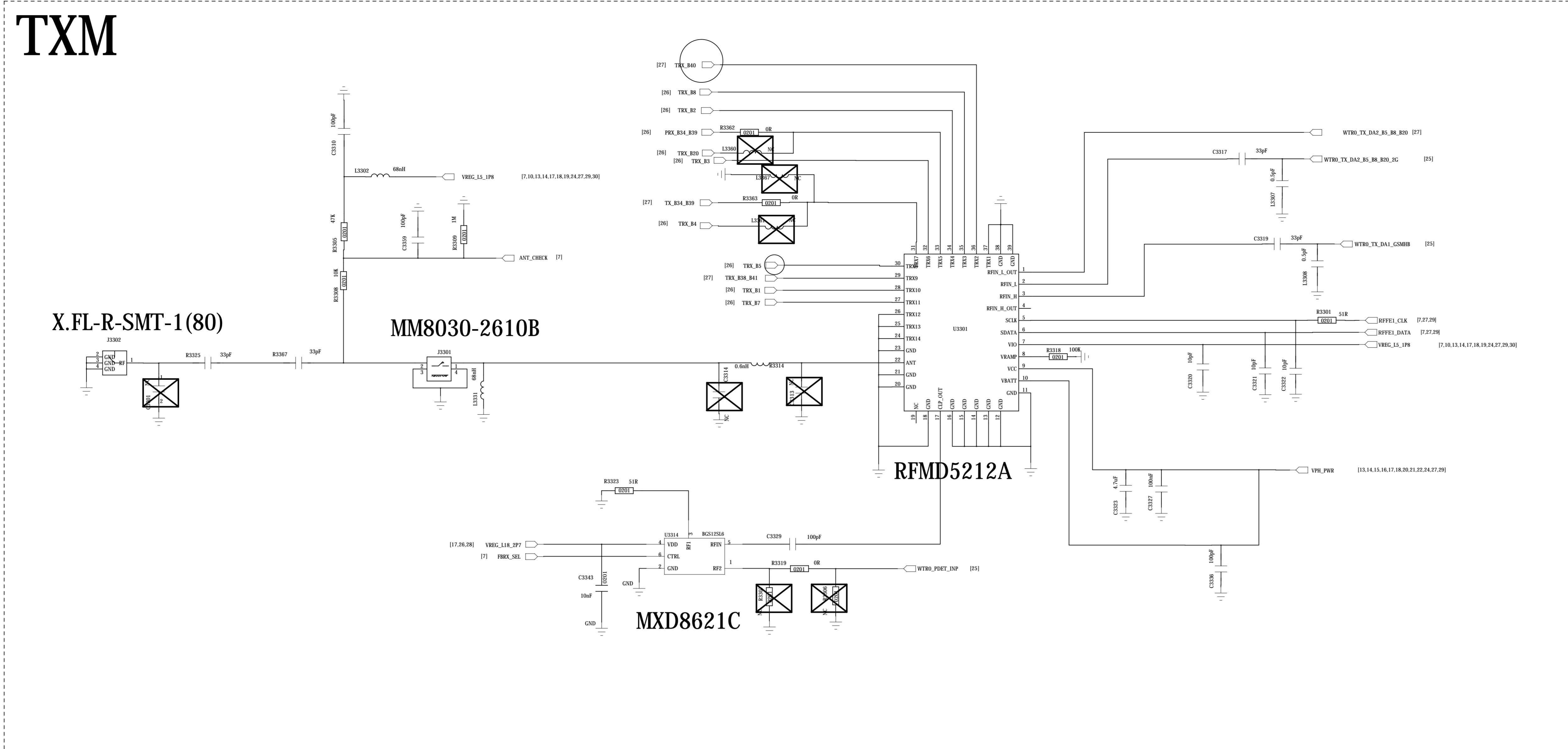
COMPANY: <Company Name>		TITLE: <Title>	
DRAWN: <Drawn By>	DATE: <Drawn Date>	CODE: <Code>	SIZE: A0
CHECKED: <Checked By>	DATE: <Checked Date>	DRAWING NO: <Drawing Number>	
QUALITY CONTROL: <QC By>	DATE: <QC Date>	REV: <Revision>	
RELEASED: <Released By>	DATE: <Release Date>	SCALE: <Scale>	SHEET: 25 / 31



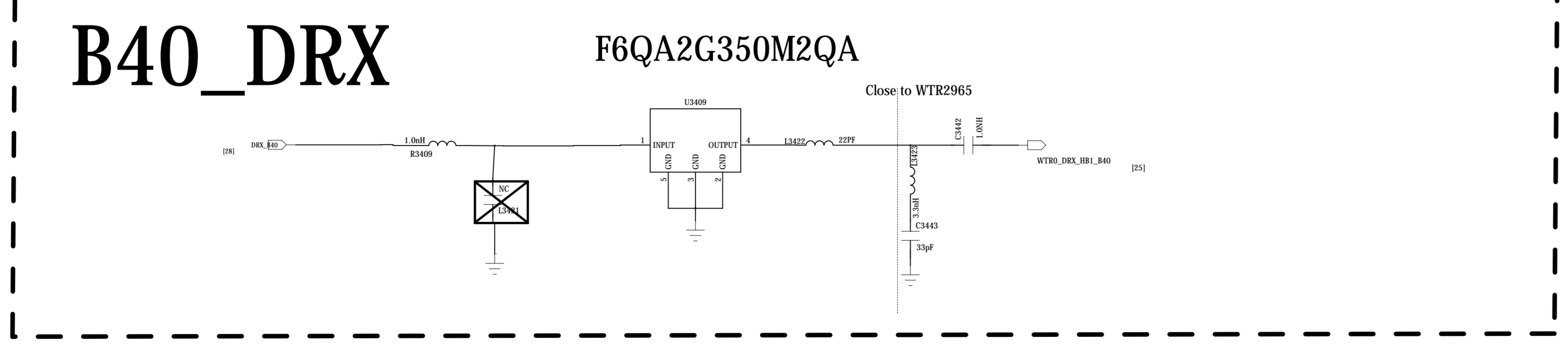
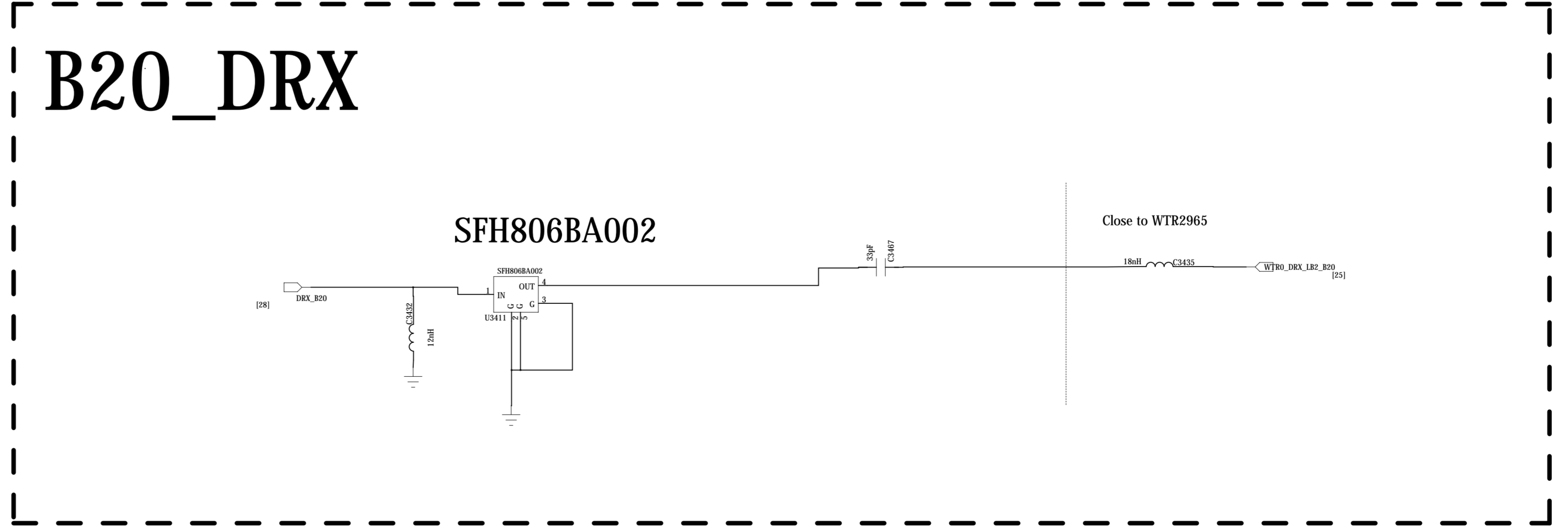
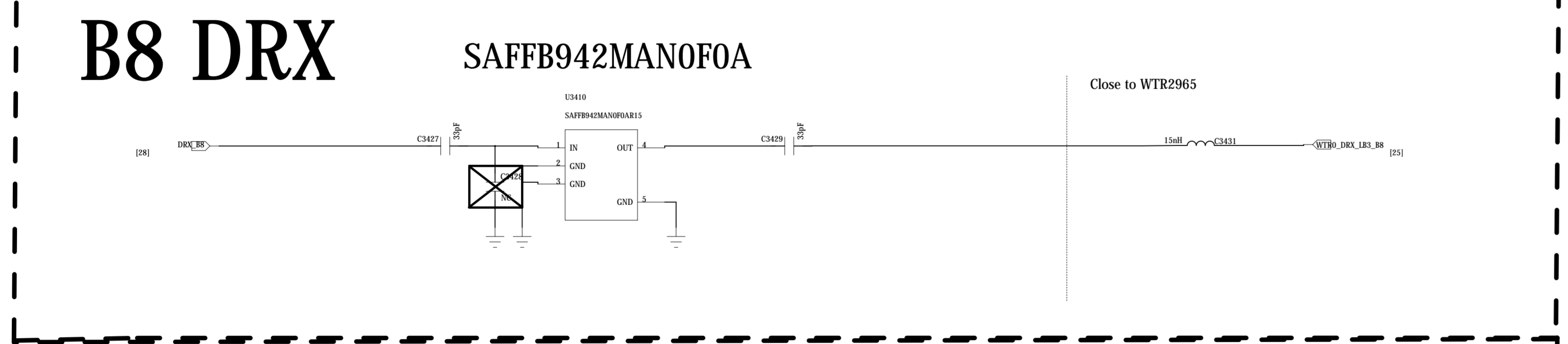
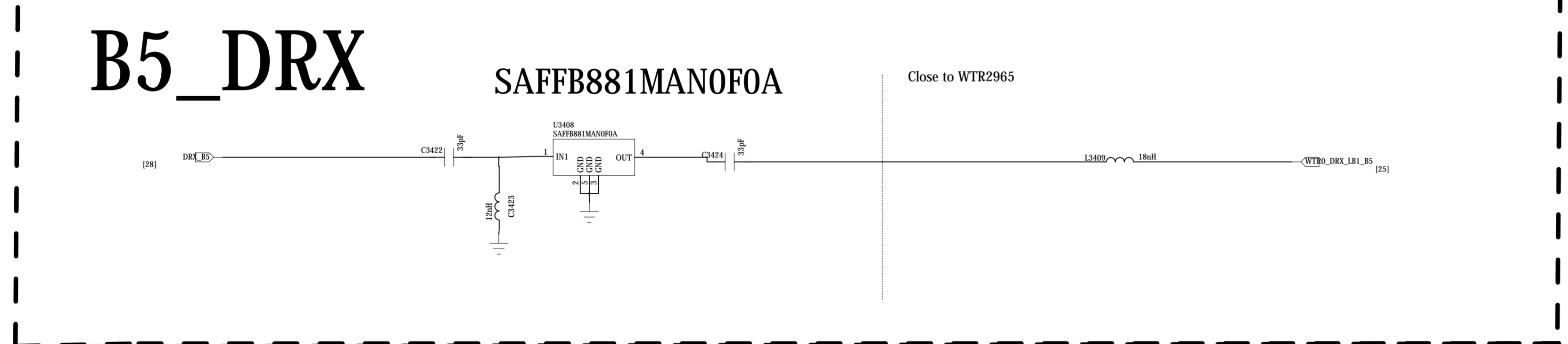
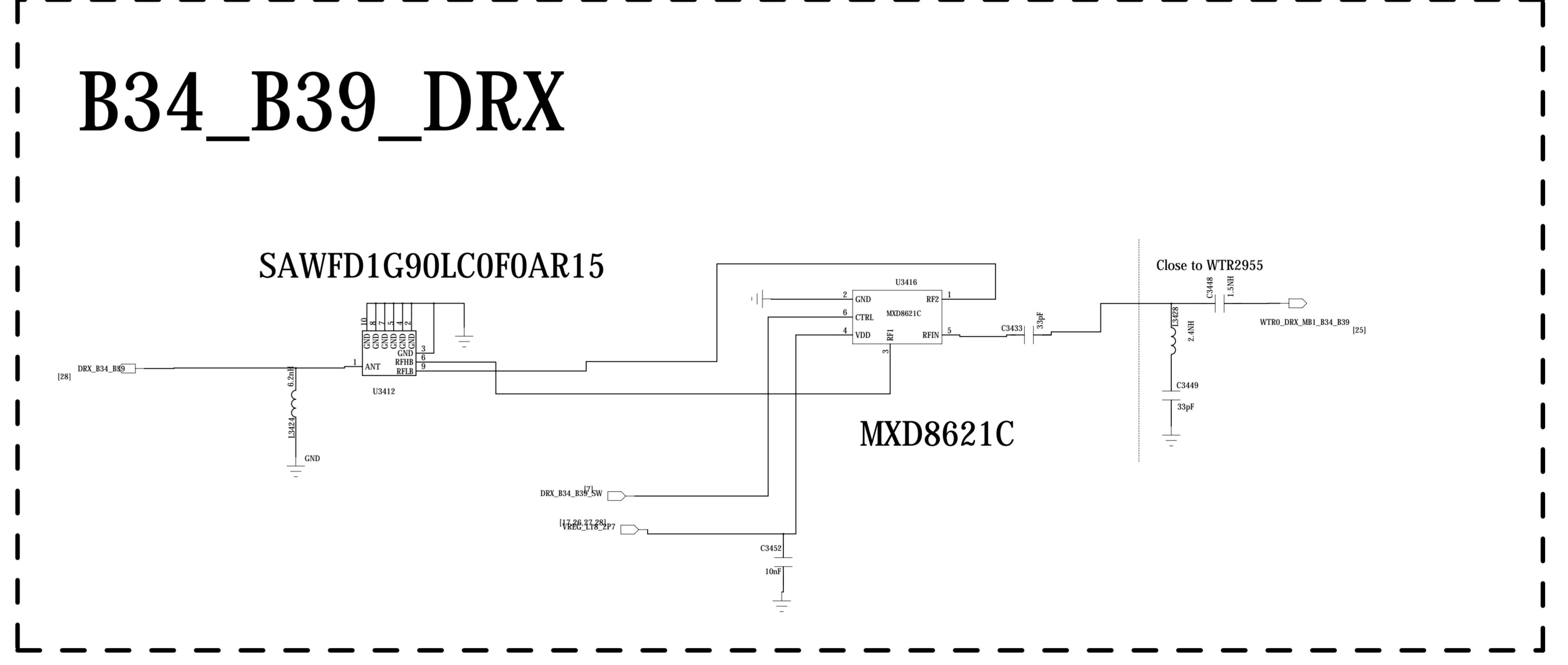
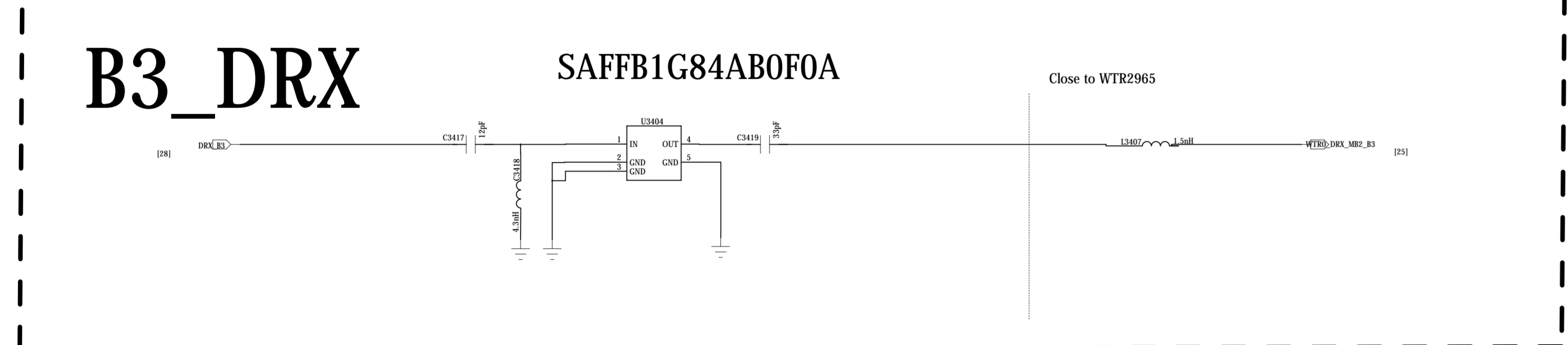
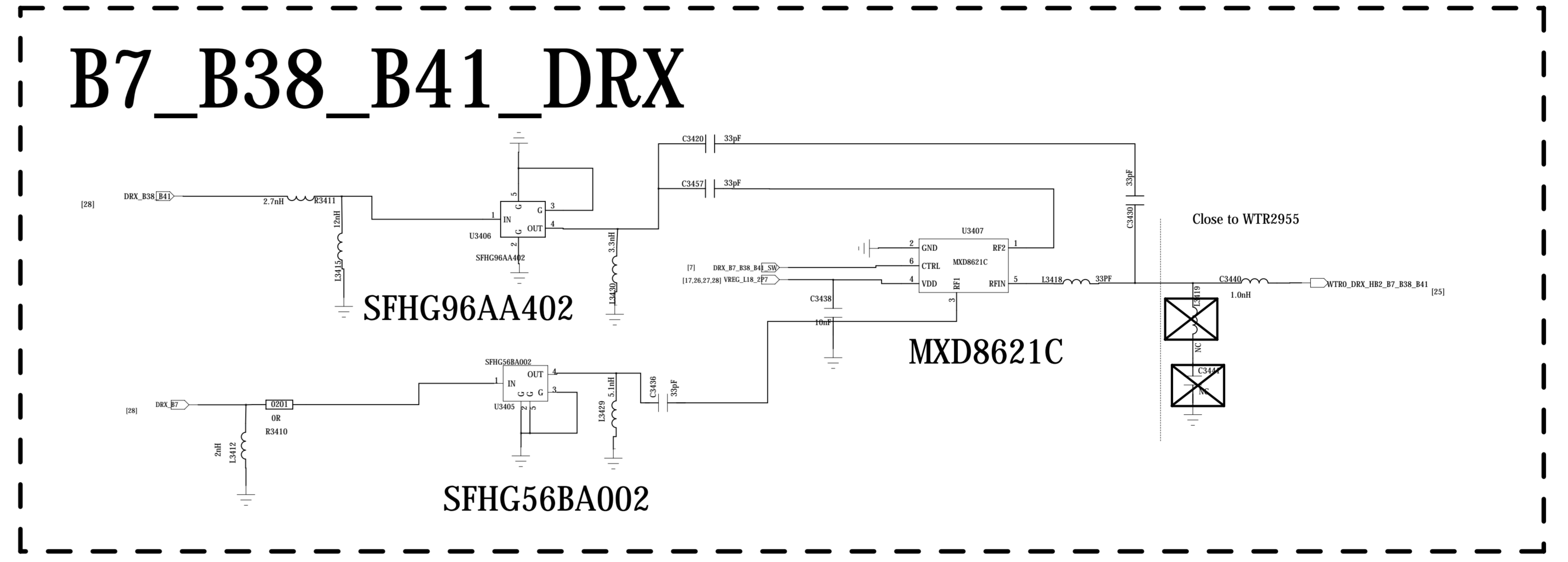
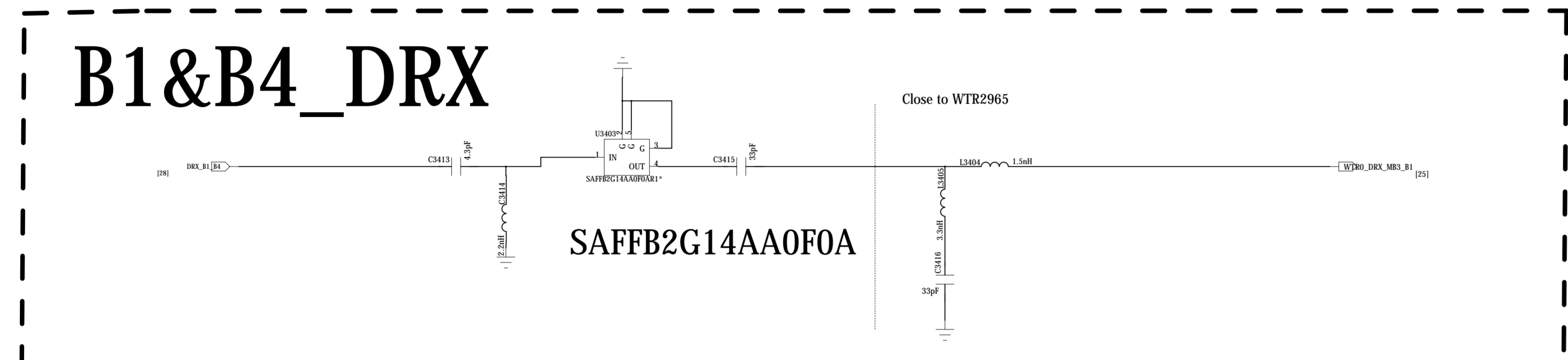
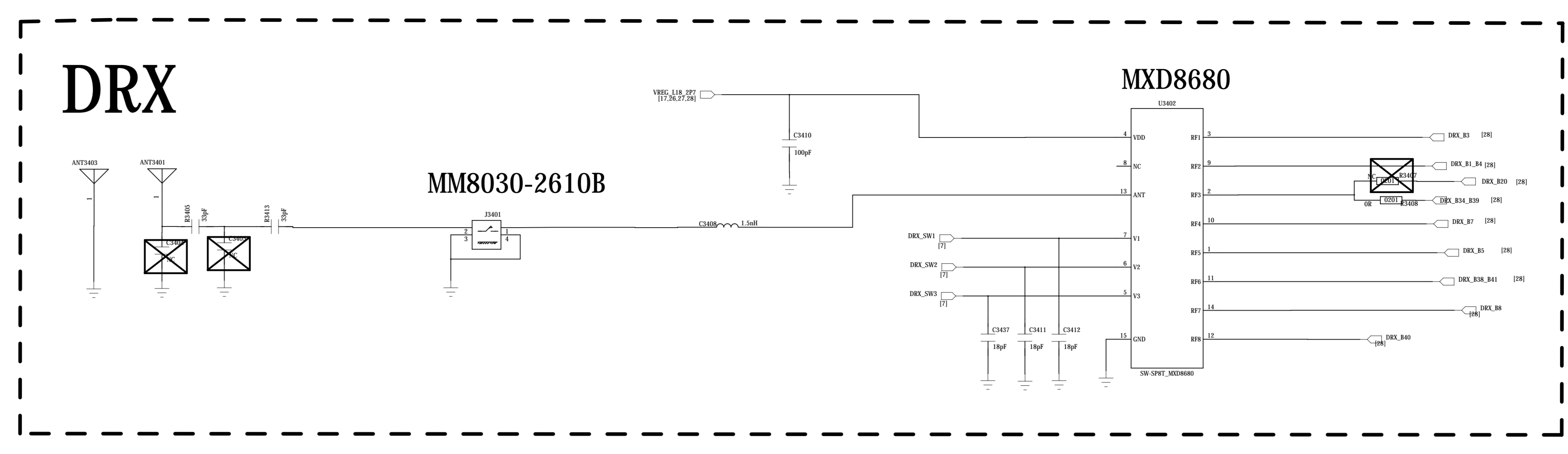
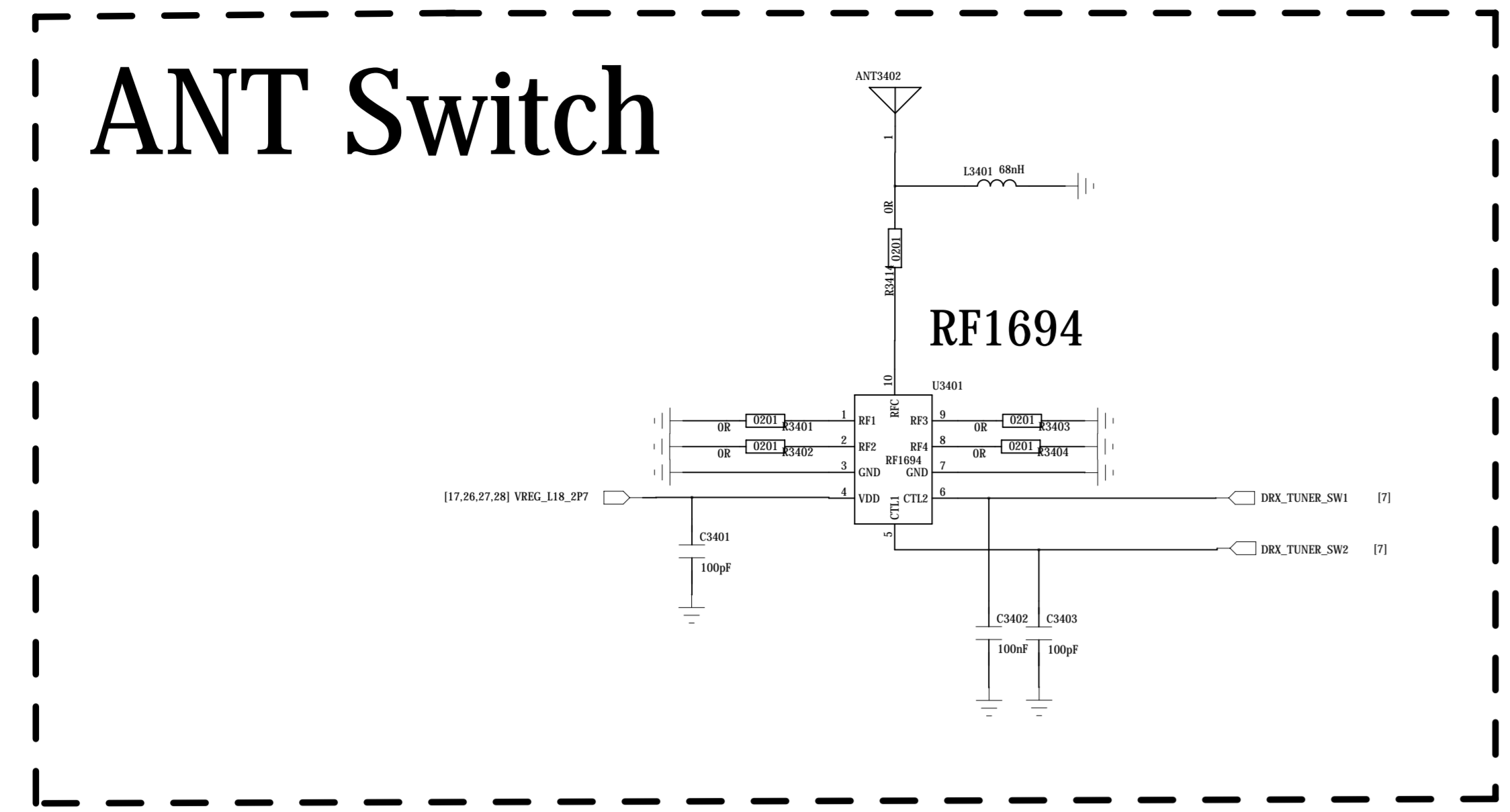
COMPANY:		<Company Name>	
TITLE:		20_LTE_DUPLEXER	
CODE:	SIZE:	DRAWING NO.:	REV:
<Code>	A0	<Drawing Number>	<Revision>
DRAWN:	DATE:	CHECKED:	DATE:
LimMengya	<Drawn Date>	LJJ	<Checked Date>
SCALE: <Scale>		SHEET: 26 of 31	



REVISION RECORD			
LT#	REV. NO.	APPROVED	DATE



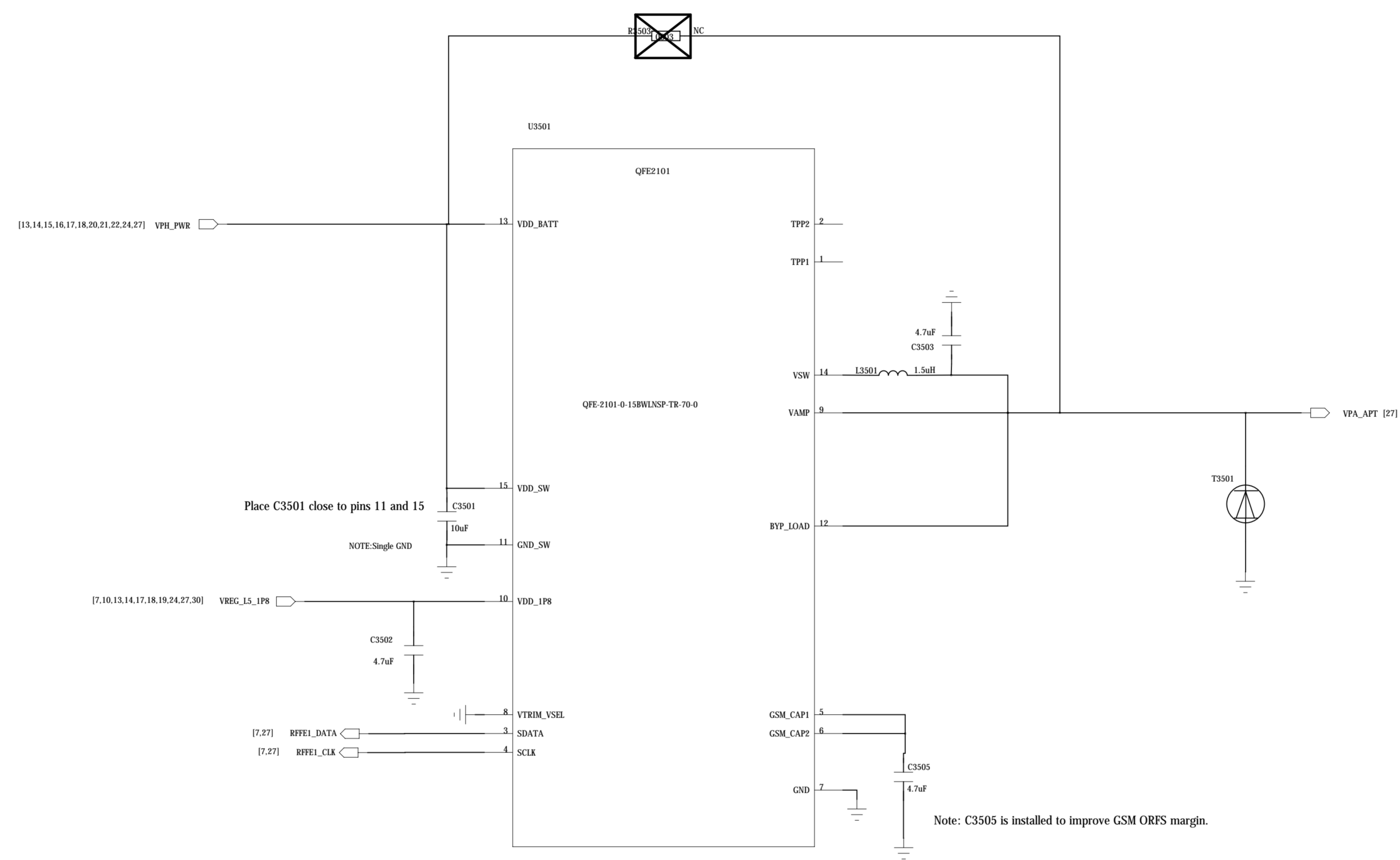
COMPANY: <Company Name>			
TITLE: <Title>			
DESIGN: <Drawn By>	DATE: <Drawn Date>	CODE: <Code>	SIZE: A0
CHECKED: <Checked By>	DATE: <Checked Date>	DRAWING NO. <Drawing Number>	
QUALITY CONTROL: <QC By>	DATE: <QC Date>	REV. <Revision>	
RELEASED: <Released By>	DATE: <Release Date>	SCALE: <Scale>	SHEET: 29 / 31



COMPANY: <Company Name>			
TITLE: 21_LTE_B7			
CODE: <Code>	SIZE: A0	DRAWING NO: <Drawing Number>	REV: <Revision>

DESIGN: LiuMengya  
DATE: <Drawn Date>

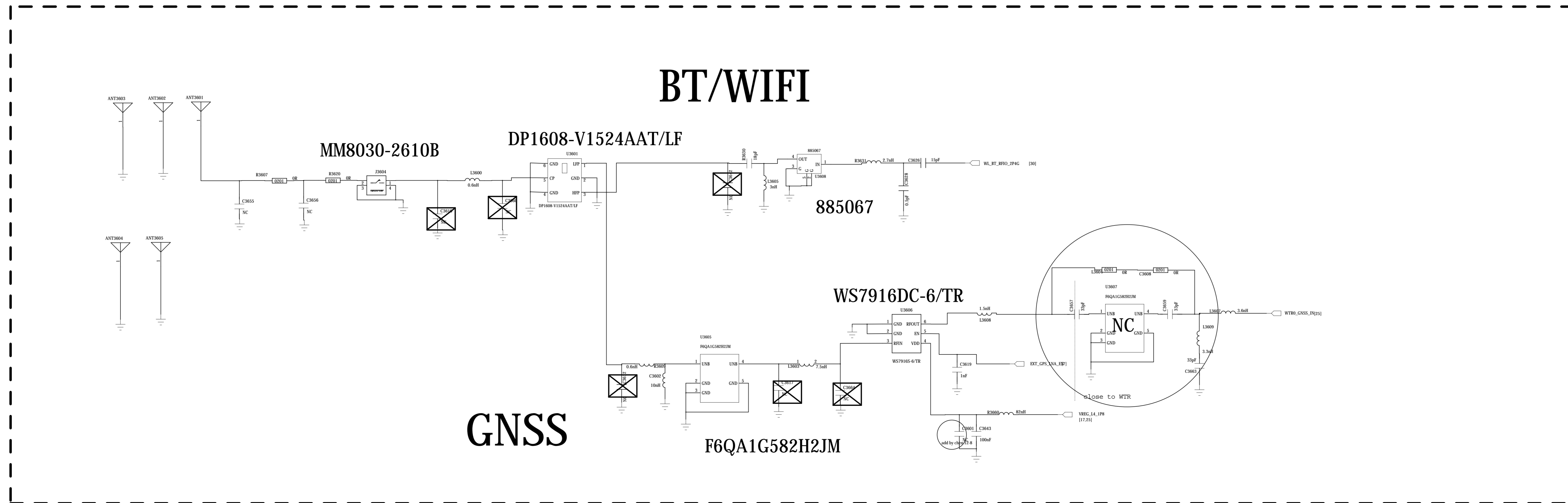
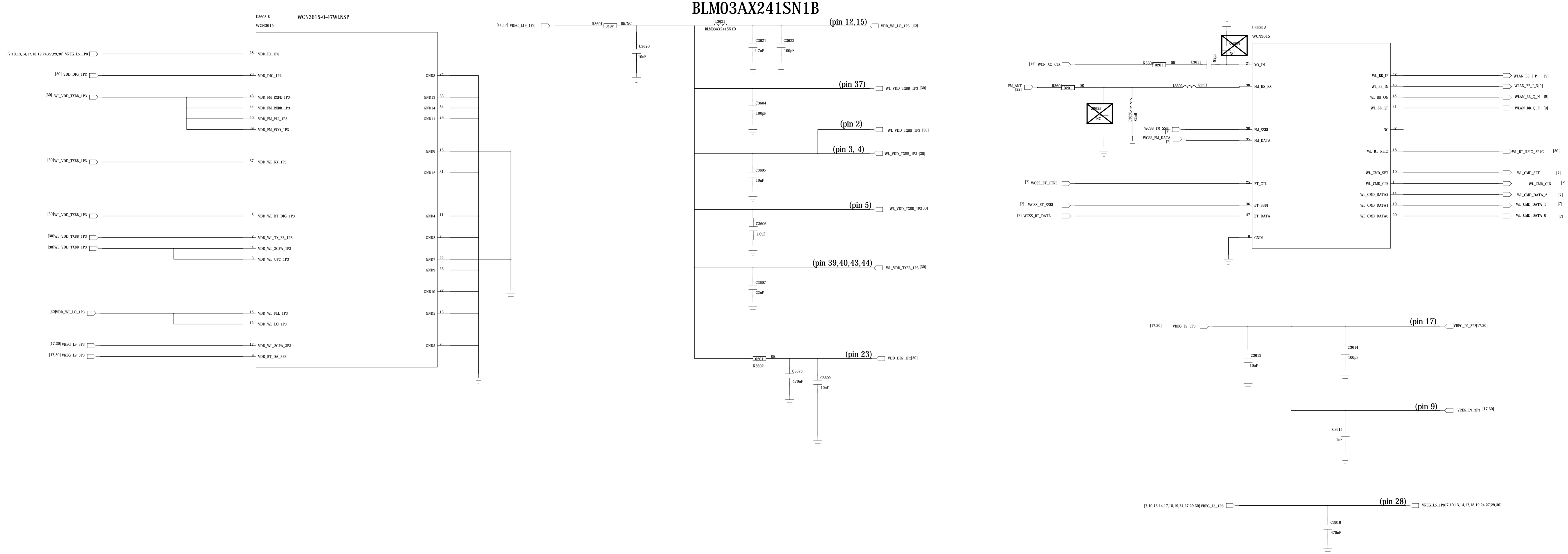
# APT



DRAWN: J.L.H.		DATE: 2018/09/28		CODE: <Code>		SIZE: A0		DRAWING NO. <Drawing Number>		REV. <Revision>	
CHECKED: J.L.H.		DATE: <Checked Date>		SCALE: <Scale>		SHEET: 29		OF: 31		COMPANY: <Company Name>	
TITLE: 22_DRX											

name of the schematic	37_WCN3680B
name of the board	GOHAN MAIN PCB
author	ZHAOLEI
number of page	34
total of pages	38
last modified date	2015.11.20
revision number	REV.A

# WCN



VIETMOBILE.VN

COMPANY:		<Company Name>	
TITLE:		24_WCN3680B	
CODE:	SIZE:	DRAWING NO:	REV:
<Code>	A0	<Drawing Number>	<Revision>
DRAWN: IdoMeygra	ISSUED: <Drawn Date>	SHEET 30 of 31	
CHECKED: IHL	CHECKED DATE: <Checked Date>	SCALE: <Scale>	

**Change list**

0519

- 1. SIM; "»»³ÉÍ-D6
- 2. 00/01úú²¿· 0μçÂ

NOT TO BE USED, COPIED, REPRODUCED IN WHOLE OR IN PART, NOR  
ITS CONTENTS REVEALED IN ANY MANNER TO OTHERS WITHOUT THE  
EXPRESS WRITTEN PERMISSION OF QUALCOMM

QUALCOMM Technologies, Inc.  
3501 La Jolla Village Drive  
San Diego, CA 92121-1714  
U.S.A.

<b>Title</b>	
Sheet	Rev
Date	Drawn of